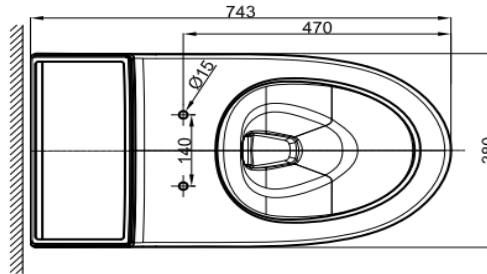
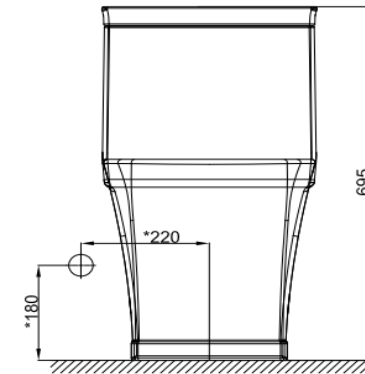
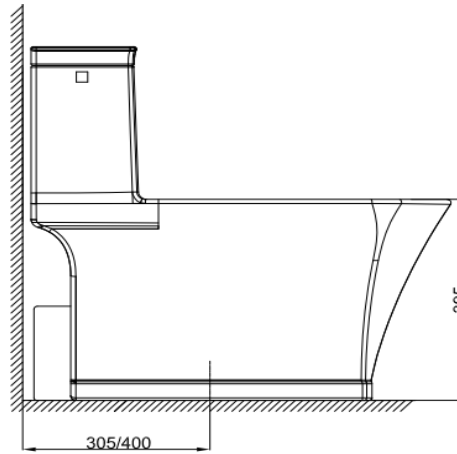


Key Specification

Product Type	OP bowl
Basic Dimension	745*380*695
Certification	GB2015/KS/EDP
Quality Requirement	Keep same as AS
Flush Action	Trip level
Special Flush (Platform)	GN2 platform
Flush Volume	3.8L
Coated Ceramic	comfortclean, AQ
Rimless	Yes
Additional Glazing Area	Trap inside
Color	White heat II
Brand Logo / Color	American Standard
Installation	quick tape
Seat & Cover	new S&C with PBT material
E-bidet Matching	IHM E-bidet
Conceal Tank System	N/A
Tank Trim	New GN2 TT
Roughing-In	RI305/400
Water Connection	N/A
Water Pressure	0.05MPa(dynamic pressure)~0.75MPa(static pressure)
Weight	50 KG
Material	VC
Similar Model	CP-2060_2061
Logo	American Standard
MFG Location	SHC
Mold Design	Bank casting
Market	China Vietnam Thailand Korea India Taiwan
Other Remark	6 Feb 2017 1. G2 approval for 4.8L 2. Tank trim update to New GN 2 type 3. MKT update



Customer	AS	LIXIL
MFG	SHC	Kastello OP
Develop	IDC shanghai	Update: 19Jun 2018