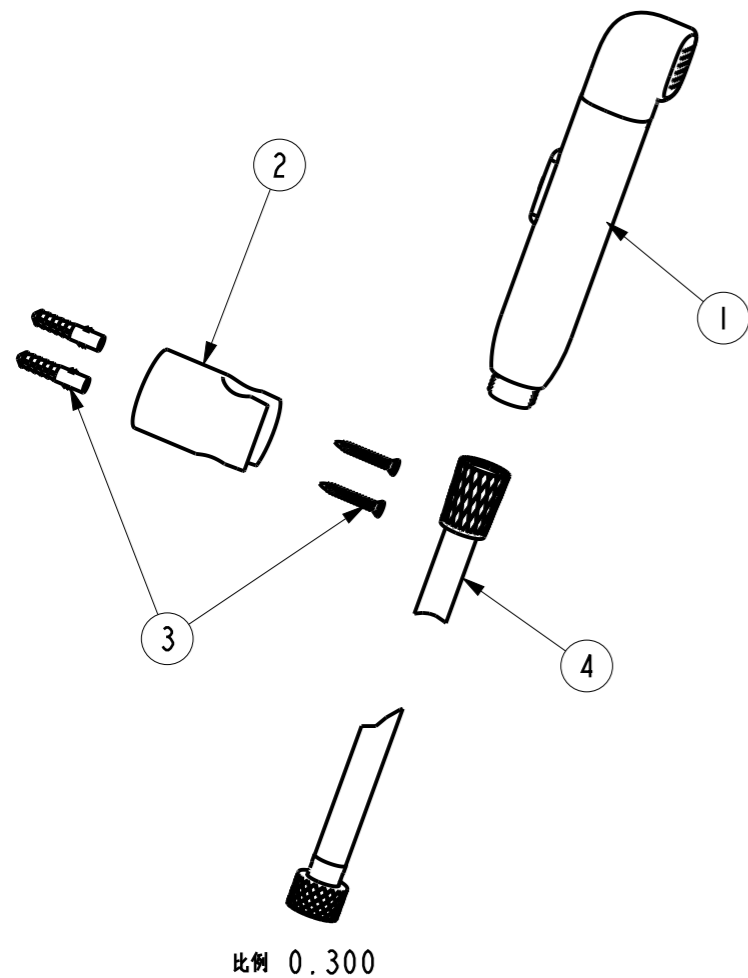
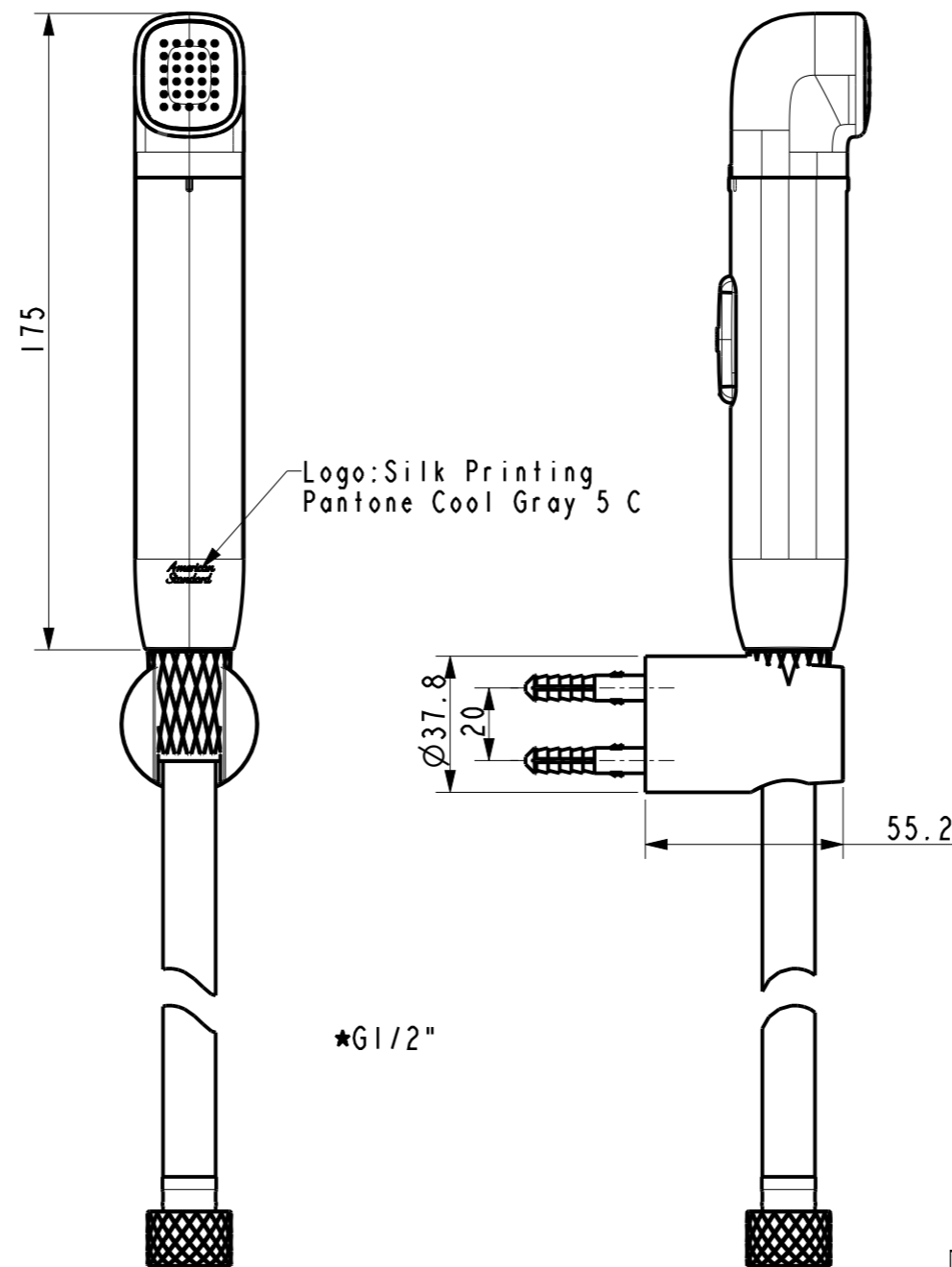


Tolerance, Unless Otherwise Stated, Is			
Above	0.5 to and including	6	±0.1
Excess	6 to and including	30	±0.2
Excess	30 to and including	120	±0.3
Excess	120 to and including	315	±0.5
Excess	315 to and including	1000	±0.8
Excess	1000 to and including	2000	±1.2



比例 0.300



比例 0.500

### 技术要求

- 零件外观清洁, 不得有尖锐棱角、碰划伤、披风等缺陷, 具体参看标准《W110.6235》的要求;
- 耐腐蚀性符合AASS, 24H, 10级;
- 螺纹表面不应有断牙、裂痕等明显缺陷, 连接螺纹G1/2'' 通规通, 止规止;
- 流量: 在动压0.1Mpa下,  $2 \leq Q \leq 6L/Min$ ;
- 密封性能(喷枪组件)
  - 在17.5bar静压下, 保持喷枪关闭60S不泄漏;
  - 在5.5bar与0.1bar静压下关闭喷枪保持5min不渗漏;
  - 在5bar动压下切换按钮开关无泄漏;
  - 在0.5bar动压下切换按钮开关无泄漏;
- 寿命(喷枪组件)10万次  
试验过程中零件无断裂、卡顿、泄漏等现象  
试验完成后密封性能满足5的要求
- 按钮操作力小于等于40N(PVD软管: 动压(0.6±0.02)Mpa、不锈钢软管: 动压(1.0±0.02)Mpa);
- 喷枪的其他要求符合《W110.6235》的要求;
- 带"★"为重点尺寸。

No.	Part No.	Part Name	Material	QTY	Remark
4	FF1-CN521T0009944P	防缠绕PVC软管-1.2M(哑光黑)	Assembly	1	Matte Black
3	FF1-CN521X00000012	1581742899\十字盘头自攻螺钉组件	Assembly	1	
2	FF1-CN521H44000058	睿欧浴缸花洒支架(哑光黑)	Assembly	1	Matte Black
1	FF1-CN521H0007644P	双功能小精灵喷枪(全哑光黑)	Assembly	1	SuperMatt Black(KWO)

DESIGNED	李爽	TITLE	DuoSTiX Hygiene Spray_Matte Black
CHECKED		REF	
APPROVED		双功能小精灵喷枪 (哑黑)	
SCALE	MATERIAL	WEIGHT	DWG NO.
0.5			FFASTS28-000441BF0

**American Standard**

REV	DESCRIPTION	DATE	NAME