

Genie

Hand Shower (Steel Grey)
FFAS505-000440BF0



FEATURES

- Enhanced water pressure for a full, robust shower experience that's gentle on your skin.
- Transparent face plate allows consumers to know if nozzles are blocked.
- Easy to open back cover to wipe off any dirt and/or grime build up.
- Maintenance key included to open back cover.
- Integrated design through dual injection production technique.

SPECIFICATIONS

- With 2.5 GPM Neoperl regulator:
 - 0.10MPa, $4.2 \text{ L/min} \leq Q \leq 8 \text{ L/min}$
 - 0.30MPa, $Q \leq 9 \text{ L/min}$
- Temperature drop: less than 3C° .
- Under 0.1Mpa, height of spray spouting vertically $\geq 280\text{mm}$
- Flow at low pressure: Under 0.05Mpa, flow rate $\geq 4.0 \text{ L/Min}$
- G1/2 thread
- Three colours to select from: Aquamarine, Petal Pink, Steel Grey

FINISHES AVAILABILITY

- Aquamarine
- Petal Pink
- Steel Grey

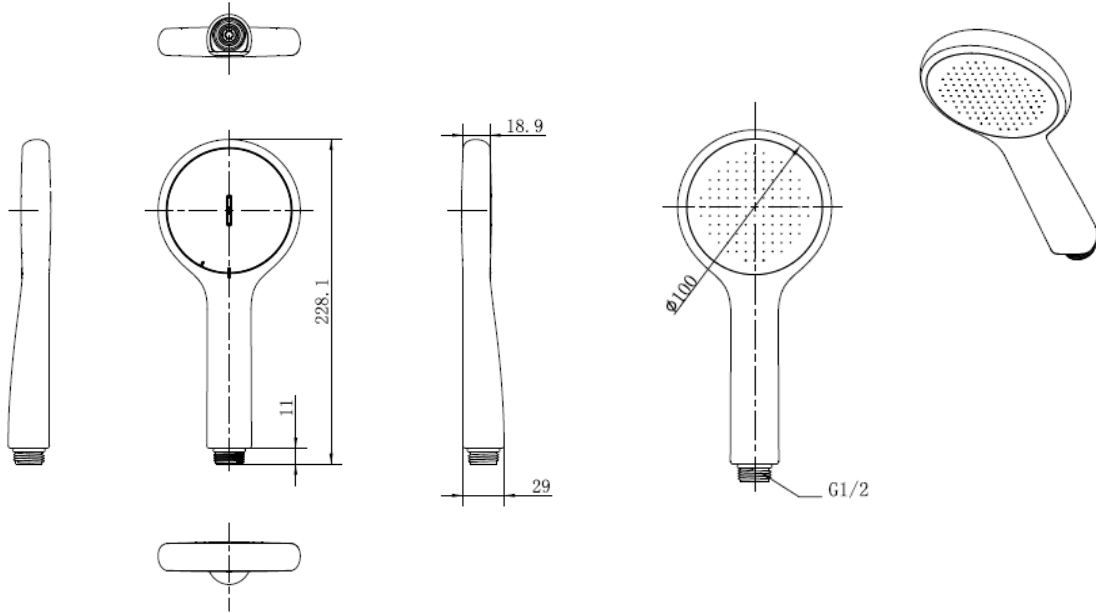
SHIPPING WEIGHT

- Net Weight: 0.14 KG
- Gross Weight: 0.24 KG

STANDARDS CRITERIA

- AS W110.0406
- GB/T 23447-2009

DIMENSIONAL DRAWING



This document is the property of American Standard. It can neither be reproduced, nor communicated, without authorization.

American Standard reserves the right to change dimensions and specifications without notice; we assume no liability for the use of obsolete dimensions.