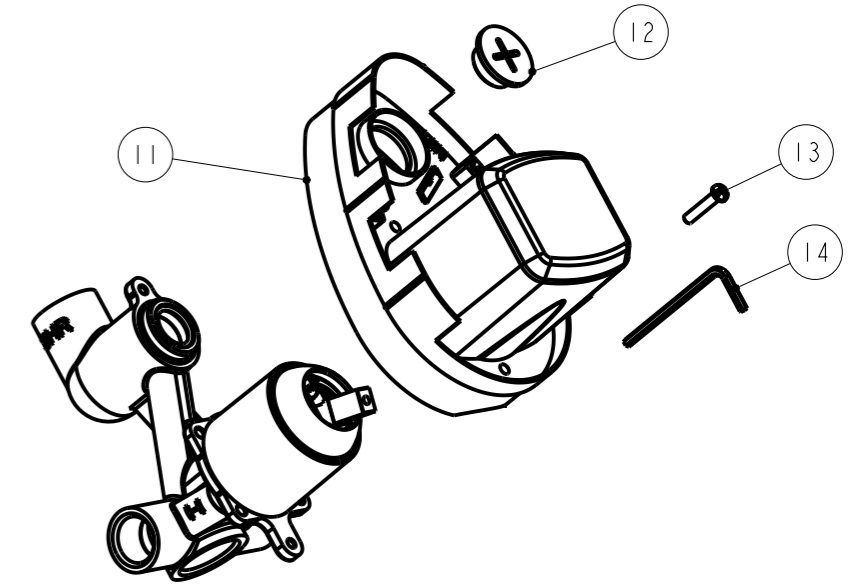
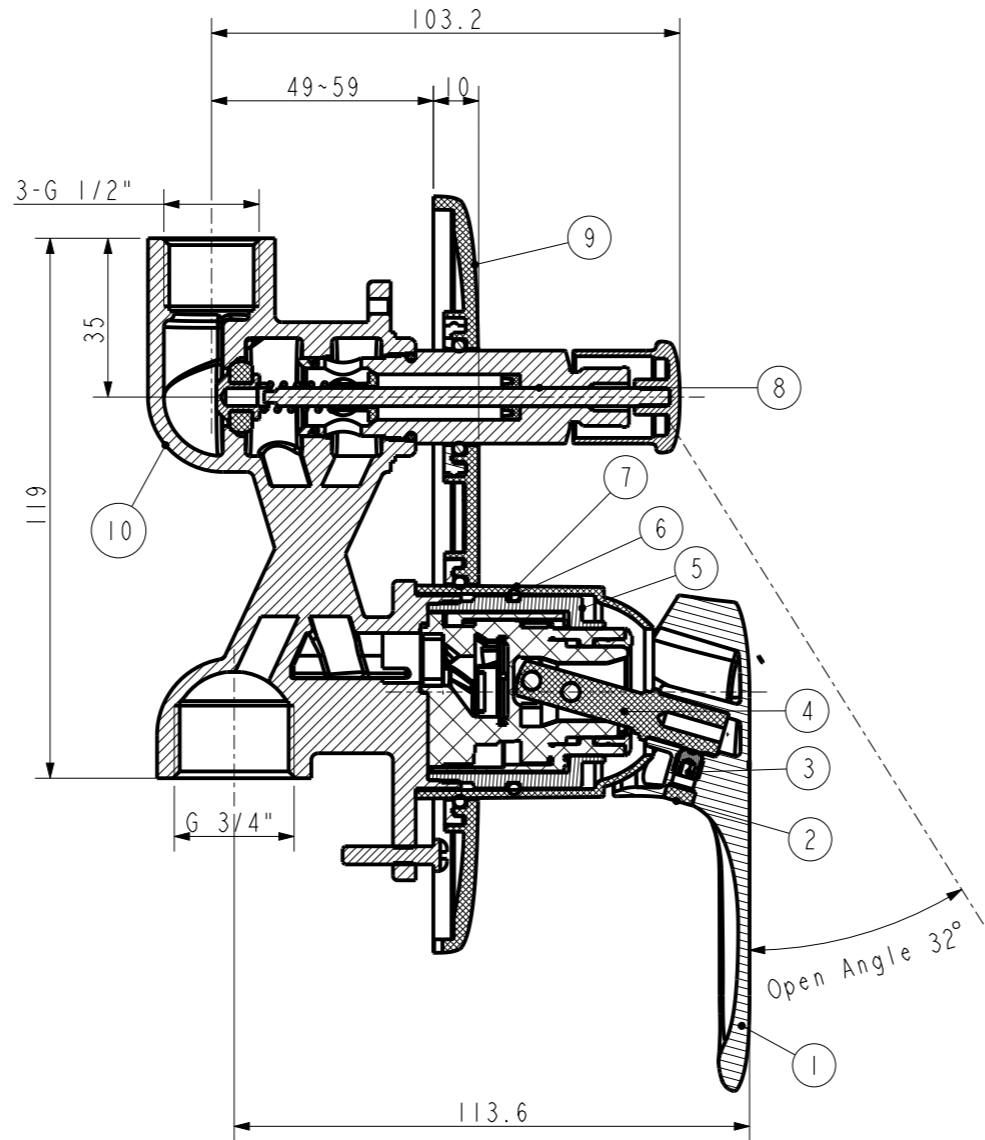
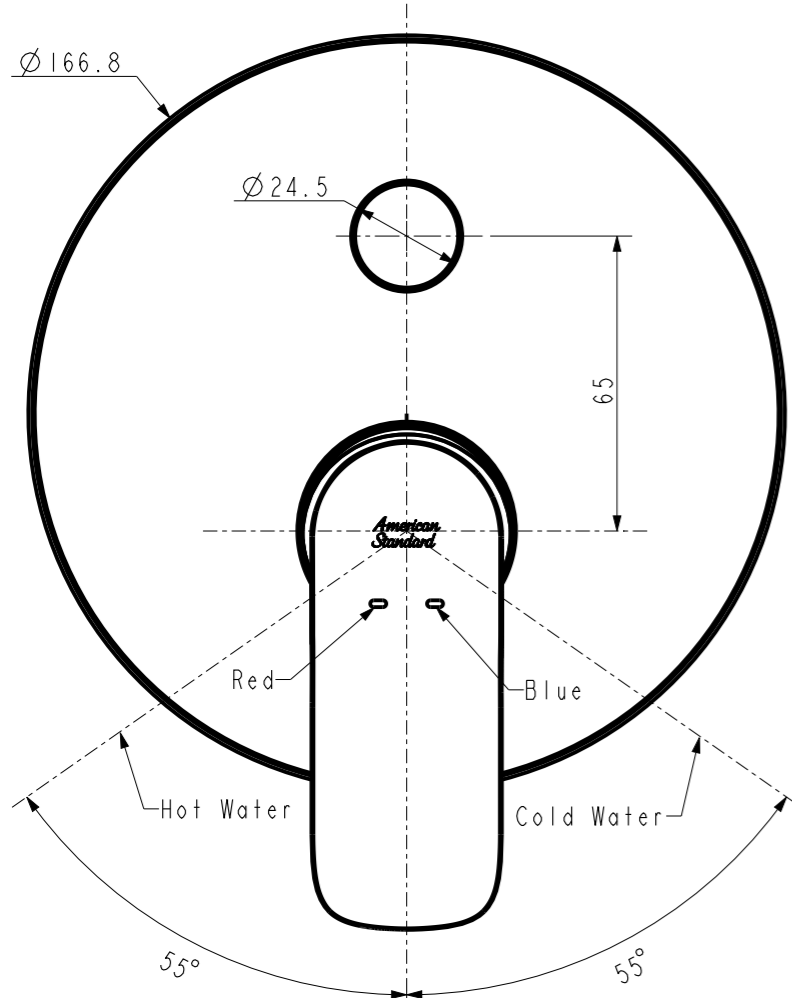


Tolerance, Unless Otherwise Stated, Is			
Above	0.5 to and including	6	±0.1
Excess	6 to and including	30	±0.2
Excess	30 to and including	120	±0.3
Excess	120 to and including	315	±0.5
Excess	315 to and including	1000	±0.8
Excess	1000 to and including	2000	±1.2



SECTION A-A

Technical requirements 技术要求:

1. Cartridge tightening torque is 8~10 N.m and the other torque is implemented according to the (W109.1520 assembly torque specification);
 阀芯安装扭力为8~10N.m, 其它符合W109.1520要求.

2. O-ring coated lubricating oil DCIII;
 O环需涂油DCIII.

3. The product should meet GB 18145 and W110.0504 Final inspection standard-faucet;
 产品需符合GB18145要求, 外观需符合W110.0504要求.

14	FF1-CN521Z00000259	1582362699\Hex Wrench(W.A.F 3)	1582362699\内六角扳手(对边3)	1	Q235-A	
13	FF1-CN521N00000268	Screw (M4X20)	158K618253\螺钉(M4X20)	1	SUS304	
12	FF1-CN521Z00000107	Regent In-Wall Protect Cover(Blue)	15810806P4\丽晶入墙式换向阀组件孔保护盖蓝色	1	PA	
11	FF1-CN521Z00000213	1582241099\Protect Cover for Inwall (47#)	1582241099\入墙上提拉本体保护盖	1	PA	
10	FF2Z0021-002.7599MC	Body for Signature Concealed B&S Mixer,M	1721入墙式浴缸龙头本体(AA,加工件)	1	GkMs60Fk	
9	4216300000	Fix Plate for Loven Concealed B&S	洛文入墙浴缸龙头面板	1	ABS	CP
	FF1-CN521G00000257	O-Ring15.6*1.78(A912644)(BLATTnCO GMBH)	1584912644\O环15.6*1.78(A912644)(特)(BLATT	1	NBR	
	FF1-CN521G00000347	RUBBER GASKET,N	1591176199\密封圈 15.8*5,完成品	1	NBR	
	FF1-CN521G00000178	Colony-s Diverter S/A Spring	1581601799\科丽换向阀组件弹簧	1	STS304	
	FF1-CN521G00000113	O-Ring 13.5*1.5	1581212799\O型圈 13.5*1.5	1	NBR	
8	FF1-CN521Z00000441	PLASTIC BUSHING,N	1592328499\定位塞 11*11,完成品	1	POM	
	FF1-CN521G00000354	NUT RING,N	1591195599\U型密封圈- 11.7*4,完成品	1	NBR	
	FF1-CN521J00000537	DELIVERY HOUSING,Cr	1591148250\换向芯 20.5*73,镀铬	1	HPb59-1	CP
	FF1-CN521X00000077	CYLINDRICAL PIN Assembly	1585940299\换向杆组件(换向杆+底座)	1	HPb59-1+SUS304	
	4216420000	Diverter Handle for Loven Concealed B&S	洛文入墙龙头切换阀把手	1	HPb59-1	CP
7	4216290000	Cartridge Cover for Loven Concealed	洛文入墙阀芯顶盖	1	ABS	CP
6	FF1-CN521G00000166	1581222499\O-Ring(33*2)	1581222499\O形环(33*2)	1	NBR	
5	FF1-CN521N0007399B	Cartridge lock nut for 1721	1721阀芯锁紧螺母	1	HPb59-1	
4	FF1-CN521C0002499P	G35 cartridge W/O distributor(408556840)	G35平衡阀芯(408556840)	1	Assembly	
3	G-02282031	SET SCREW DIN 916-M6x6SST	内六角螺钉M6x6-DIN916	1	SUS304	
2	G-01050031	PLUG F. LEVER 76,5/76,7/0 TPE/GREY	Ø6.5橡胶把手孔塞-灰色	1	TPE	
1	G-417211040	Lever for Loven Exposed BS Mixer	乐美浴缸龙头把手(带益印)	1	ZZnAl4-1	CP
No.	Part No.	Part Name(EN)	Part Name(CN)	QTY	Material	Finished

DESIGNED	阮国林	2024.11.25	TITLE	Loven Concealed B&S Mixer
CHECKED	阮国林	2024.11.25	REF	
APPROVED	阮国林	2024.11.25		洛文入墙浴缸和淋浴龙头
SCALE	MATERIAL	WEIGHT	DWG NO.	
3:5	Assembly		FFASIM21-609500BF0	



REV	DESCRIPTION	DATE	NAME