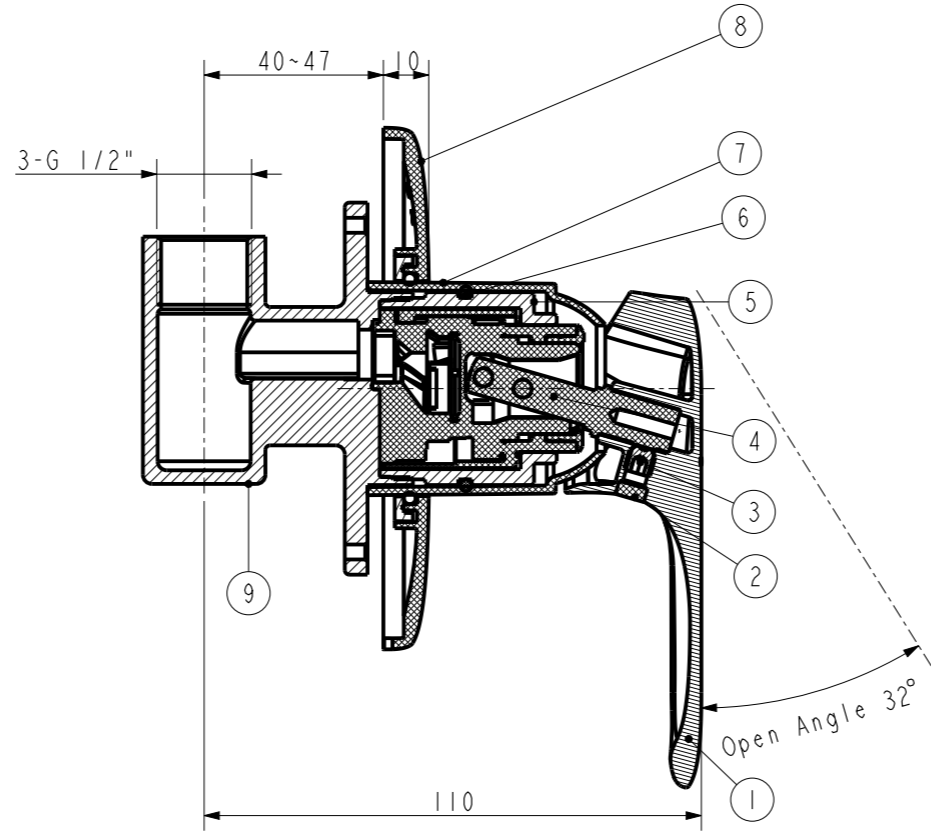
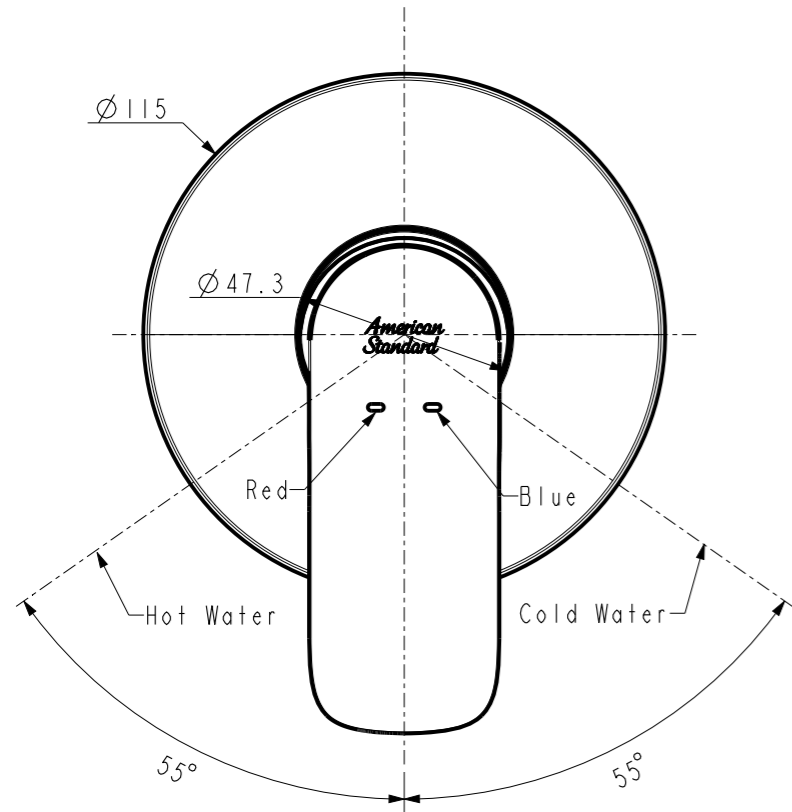


Tolerance, Unless Otherwise Stated, Is			
Above	0.5 to and including	6	±0.1
Excess	6 to and including	30	±0.2
Excess	30 to and including	120	±0.3
Excess	120 to and including	315	±0.5
Excess	315 to and including	1000	±0.8
Excess	1000 to and including	2000	±1.2



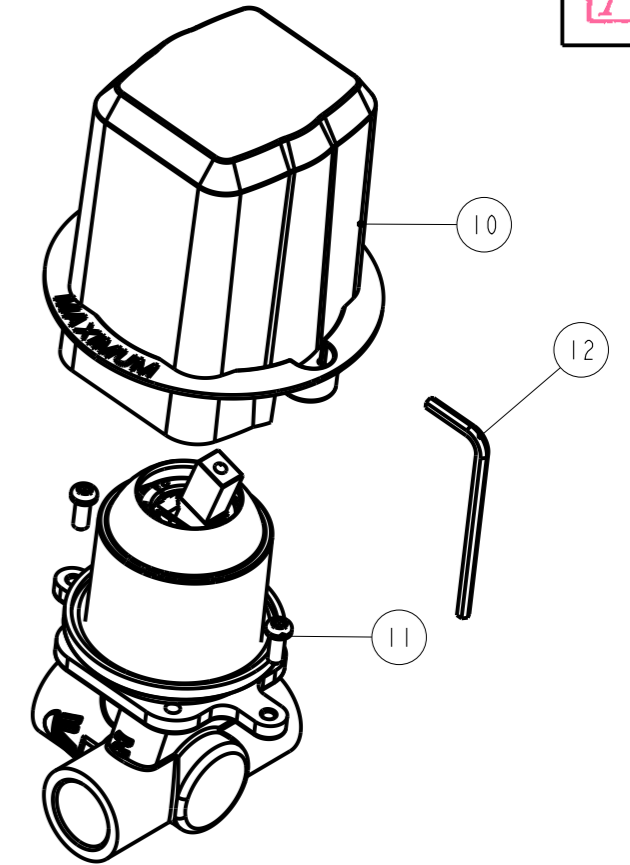
SECTION A-A

Technical requirements 技术要求:

1. Cartridge tightening torque is 8~10 N.m and the other torque is implemented according to the (W109.1520 assembly torque specification); 阀芯安装扭力为8~10N.m, 其它符合W109.1520要求.

2. O-ring coated lubricating oil DCIII; O环需涂油DCIII.

3. The product should meet GB 18145 and W110.0504 Final inspection standard-faucet; 产品需符合GB18145要求, 外观需符合W110.0504要求.



No.	Part No.	Part Name(EN)	Part Name(CN)	QTY	Material	Finished
12	FF1-CN521Z00000259	1582362699(Hex Wrench(W.A.F.3))	1582362699(内六角扳手(对边3))	1	Q235-A	
11	FF1-CN521N00000194	2002 Screw (Zinc)	15818609F4(2002 保护套螺钉)	2	SUS304	
10	FF1-CN521Z00000212	Protect Cover For Inwall Shower Only(47#)	1582240799(入墙淋浴保护套(47#))	1	PA	
9	FFZ20021-0027699MC	Body for Signature Concealed Shower Only	1722入墙式淋浴龙头本体(AA,加工件)	1	GkM60Fk	
8	4216410000	Escutcheon For Loven Concealed Shower Mixer	洛文入墙淋浴龙头面板	1	ABS	CP
7	4216290000	Cartridge Cover for Loven Concealed	洛文入墙阀芯顶盖	1	ABS	CP
6	FF1-CN521G00000166	1581222499(O-Ring(33*2))	1581222499(O形环(33*2))	1	NBR	
5	FF1-CN521N0007399B	Cartridge lock nut for 1721	1721阀芯锁紧螺母	1	HPb59-1	
4	FF1-CN521C0002499P	G35 cartridge W/O distributor(408556840)	G35平衡阀芯(408556840)	1	Assembly	
3	G-02282031	SETScrew DIN 916-M6x6-SST	内六角螺钉M6x6-DIN916	1	SUS304	
2	G-01050031	PLUG F. LEVER 76.5/76.7/0 TPE/GREY	Ø6.5橡胶把手孔塞-灰色	1	TPE	
1	G-417211040	Lever for Loven Exposed BS Mixer	乐美浴缸龙头把手(带丝印)	1	ZZAl4-1	CP

No.	Part No.	Part Name(EN)	Part Name(CN)	QTY	Material	Finished
DESIGNED	阮国林	2024.11.25	TITLE	Loven Concealed Shower Mixer		
CHECKED	阮国林	2024.11.25	REF	洛文入墙淋浴龙头		
APPROVED	阮国林	2024.11.25				
SCALE	MATERIAL	WEIGHT	DWG NO.			
3:5	Assembly		FFASIM22-709500BF0			



REV	DESCRIPTION	DATE	NAME