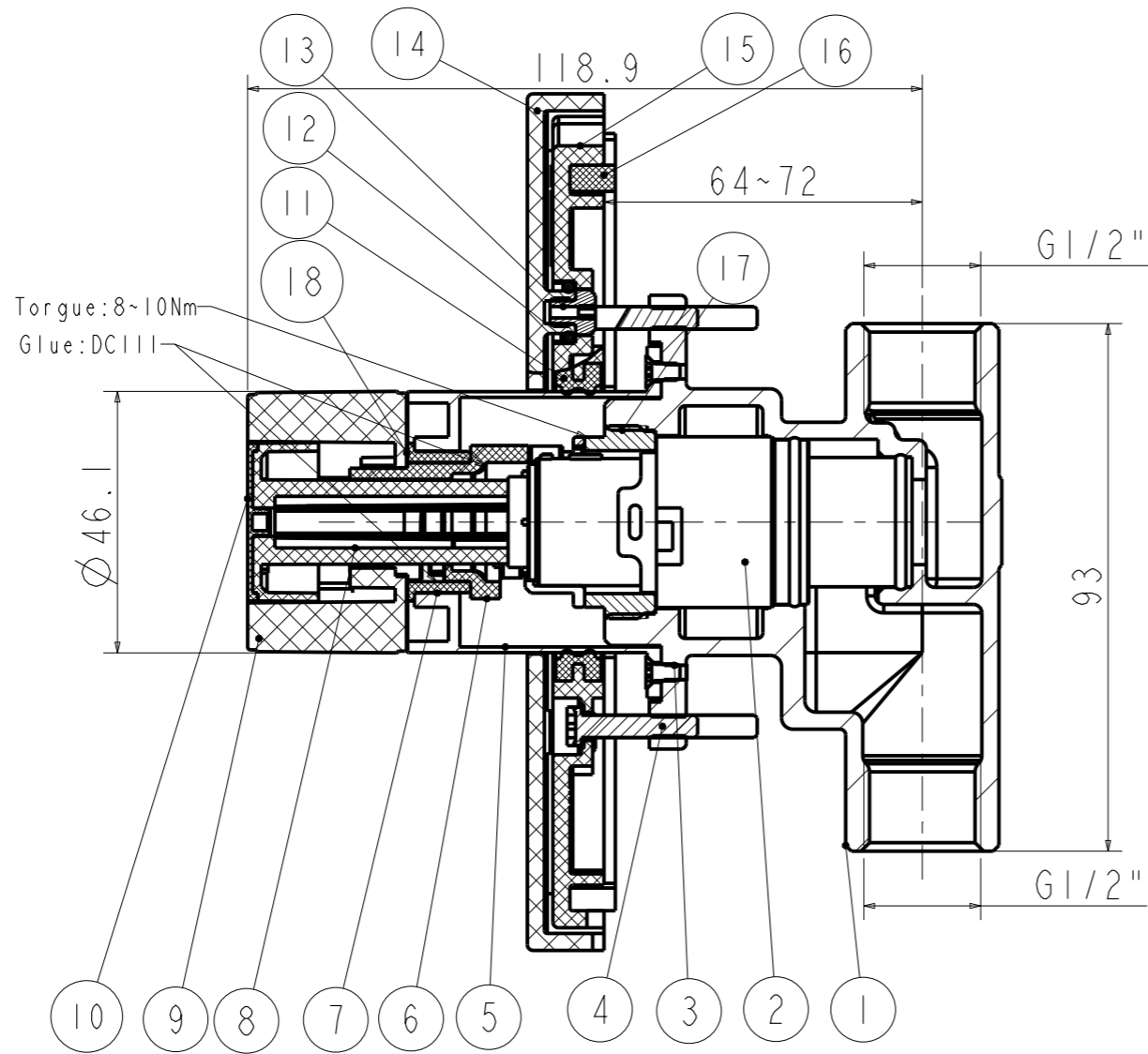
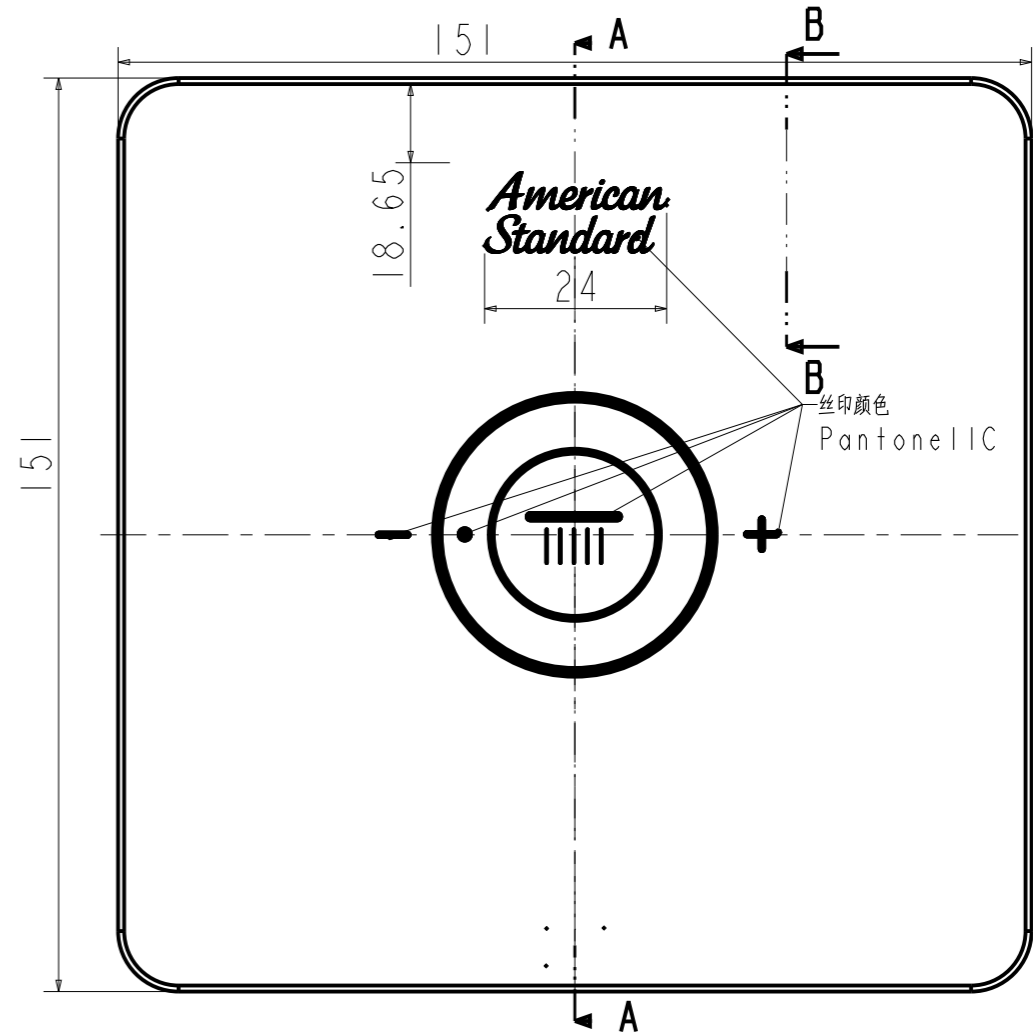
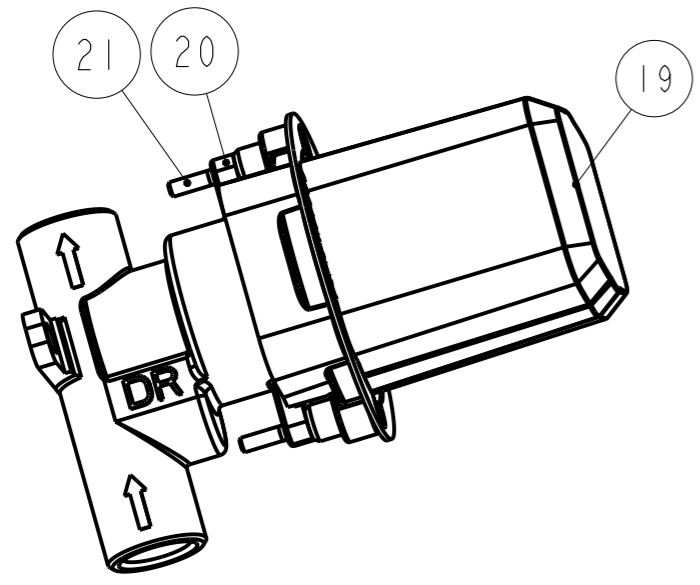


A/O

Tolerance, Unless Otherwise Stated, Is			
Above	0.5 to and including	6	±0.1
Excess	6 to and including	30	±0.2
Excess	30 to and including	120	±0.3
Excess	120 to and including	315	±0.5
Excess	315 to and including	1000	±0.8
Excess	1000 to and including	2000	±1.2



SECTION A-A
B-B
SCALE 0.800



NO.	Part NO.	Description	Material	QTY	Surface Treatment
21	FF1-CN521N0000268	158K618253\螺钉(M4X20)	SUS304	2	
20	FF1-CN521J00000338	1582243999\一体式感应冲洗阀紧固塑料套	POM	2	
19	FF1-CN521Z00000212	1582240799\入墙淋浴保护套(47#)	PP	1	
18	FF1-CN521G0003799P	垫圈 (26*21*0.2)	TEFLON	1	
17	FF1-CN521N00002299	按钮开关阀芯锁紧螺母	Hpb59-1	1	
16	FF1-CN521K00000034	新曲入墙面板胶带(海绵垫)4*8*570mm	EVA	1	
15	FF1-CN521F00000014	1580306799\入墙式淋浴龙头固定板	ABS	1	
14	FF1-CN521FA0000265	逸魅尚入墙式淋浴通用面板-星河灰	ABS	1	星河灰
13	FF1-CN521J00000214	158180199\入墙面板通用固定销钉	Hpb59-1	4	Chrome
12	FF1-CN521G00000291	158A912789\O环(7X2)(Water Mark)	EPDM	4	
11	FF1-CN521G00000206	158138759\O46入墙面板密封胶(56*45*8)	NBR	1	
10	FF1-CN521F00045A0P	按钮装饰盖(顶洒)-星河灰	ABS	1	星河灰
9	FF1-CN521L00041A0P	入墙按压阀把手-星河灰	ABS	1	星河灰
8	FF1-CN521J0010409P	入墙按压阀按钮(白色)	POM	1	
7	FF1-CN521J0010599P	入墙按压阀定位套	POM	1	
6	FF1-CN521J0010699P	入墙按压阀把手连接套	POM	1	
5	FF1-CN521J00108A0B	入墙按压阀铜套-星河灰	HPb59-1	1	星河灰
4	FF1-CN521N00000185	1581839699\感应冲洗阀紧固板紧固螺钉	SUS304	2	
3	FF1-CN521N00000269	迈阿密穿孔面盆水龙头限位螺钉(GB/T819.1)	SUS304	2	
2	FF1-CN521C00000499	按钮开关阀芯	Assembly	1	
1	FFZZ0021-0010599MC	入墙式按压开关控制阀本体	BSC3(DZR)	1	

DESIGNED	CHECKED	APPROVED	SCALE	MATERIAL	WEIGHT	DWG NO.	TITLE
区振锋	利华斌	李华斌	4:5	Assembly		FFAS0926-709A00BF0	EasySET for Head Shower_A00
2023.11.09	2023.11.09	2023.11.9					REF
							易舒喜入墙控制阀(顶洒)_星河灰
							American Standard

REV	DESCRIPTION	DATE	NAME