



注意:

- * 开始前清除管道内所有杂质, 以免堵塞管道; 检查尺寸图上的安装距离, 确保安装正确。
- * 不要将龙头安装在相对位置有其他传感器的地方, 如厕所自动冲洗设备。
- * 不要把龙头安装在有反光物体的地方, 例如不锈钢和镜子等。
- * 不允许敲打主要部件。
- * 应避免强烈的阳光直接照射传感器窗口。
- * 保持传感器窗口的清洁。
- * 用中性清洁剂或软布清洁传感器窗口; 不可将有机溶剂直接喷洒到传感器窗口。

故障排除

现象	原因	处理方法
无感应不冲洗	无电源 无电池/电池装反 感应范围内有其它物体一直被感应 感应窗口较脏 接线端是否插好, 是否插错	检查电源 装好电池 清理物体 清洁窗口 插好接线端
有感应不出水	截止阀是否关闭 感应范围内有其它物体 感应窗口较脏	打开截止阀 移开物体 清洁感应窗口
出水量少	截止阀是否彻底打开 过滤装置堵塞 水压太低	彻底打开截止阀 清洗过滤装置 与供水部门联系
不止水 指示灯连续闪烁而不出水	电磁阀部位有脏物 电池耗尽	清洗过滤装置(之后连续感应, 动作多次) 更换电池

如问题无法解决, 请找就近的销售商或拨打客户服务热线。

Caution

- * Remove all impurities from the pipes before starting to avoid clogging them. Check the installation distance on the dimensional drawing to ensure correct installation.
- * Do not install the faucet where there are other sensors nearby, such as an automatic toilet flush.
- * Do not install the faucet where there are reflective objects nearby, such as stainless steel and mirrors.
- * Do not knock the major components.
- * Direct sunlight to the sensor window should be avoided.
- * Keep sensor windows clean.
- * Use neutral detergent or a soft cloth to clean the sensor window; do not spray organic solvents directly onto the sensor window.

Trouble Shooting

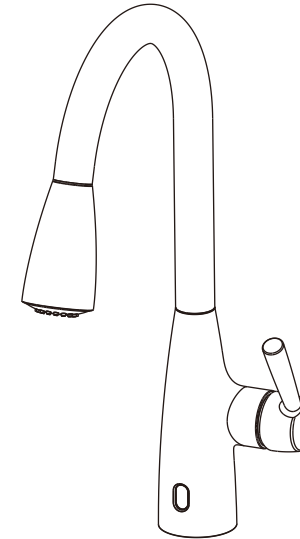
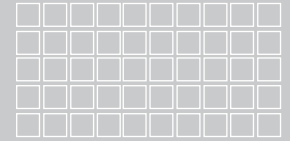
Problem	Reason	Instruction
No detection observed	No power No battery/ battery installed backwards There are other objects within the sensing range that are being sensed The sensor window is dirty Connection is not connected correctly	Check power supply Install the battery Clear objects from the sensing range Clean windows Check the connection
Detection, but no water comes out	The shut-off valve is closed There are other objects within the sensing range that are being sensed The sensor window is dirty	Open shut-off valve Clear objects from the sensing range Clean sensor window
Little water output	The stop valve is not fully open Filter unit clogged Water pressure is too low	Open the stop valve completely Clean filter unit Contact the water department
Water flows continuously	Battery exhausted Cables are cut off The solenoid is blocked	Change the battery Check the cables and connection Clean the solenoid and filter device
The indicator light flashes continuously without water coming out	Battery exhausted	Change the battery

If the problem cannot be solved, please find our nearest retailer or call the customer service hotline.

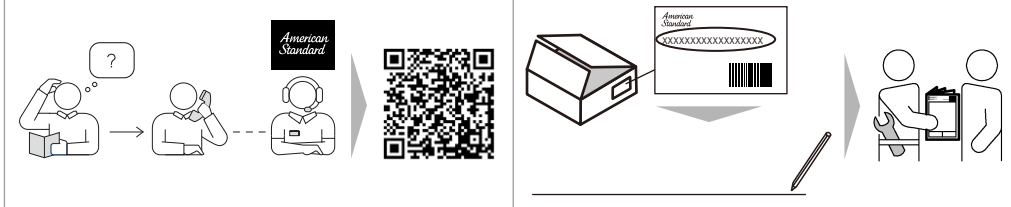
**DESIGN + ENGINEERING
AMERICAN STANDARD**

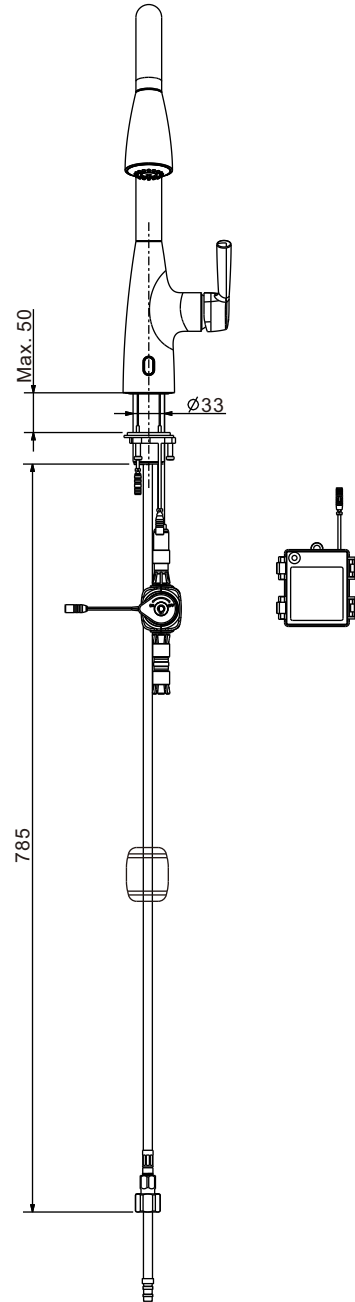
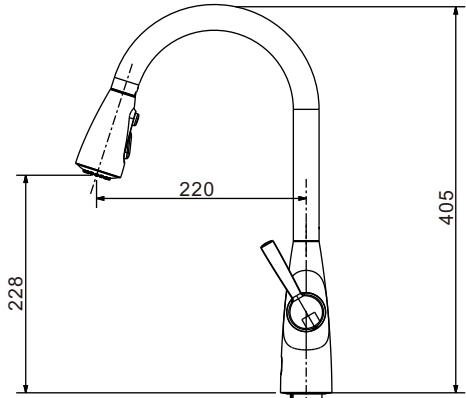
FF1-CN521K00635899/10.23

American Standard

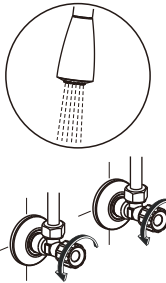
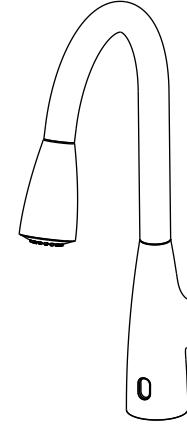
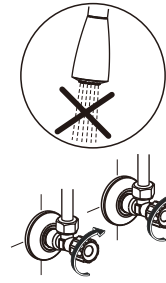


1009070000
1009070001
慧厨免触感应抽拉龙头
Fairbury Touchless Dual Spray
Pull-out Kitchen Faucet

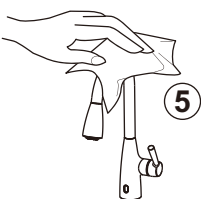
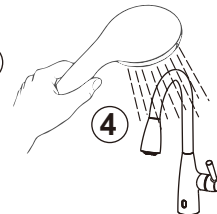
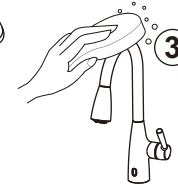
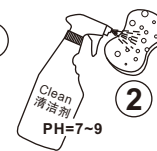
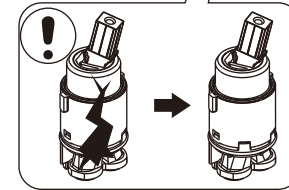


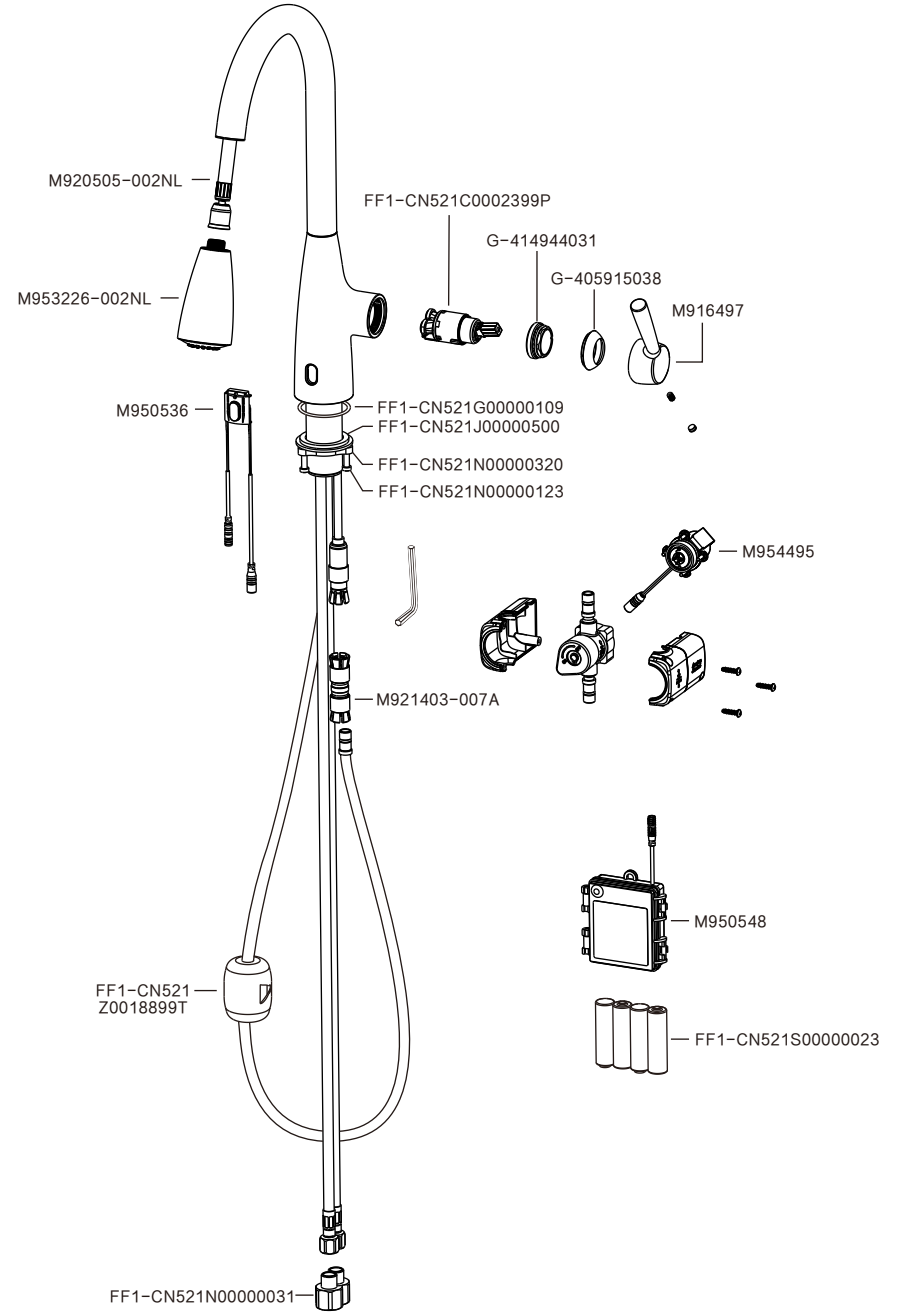
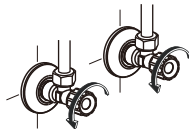
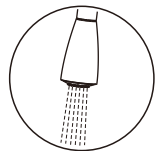
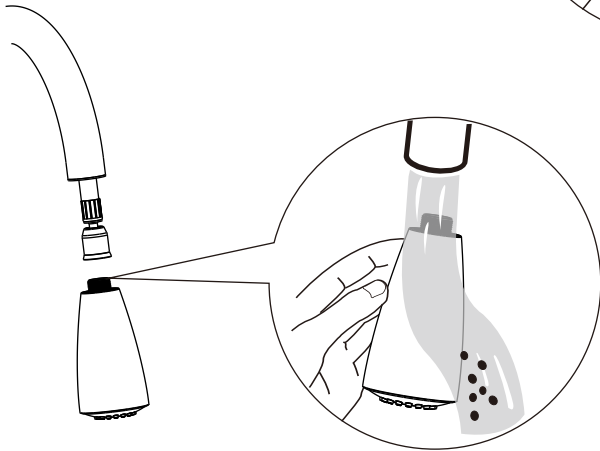
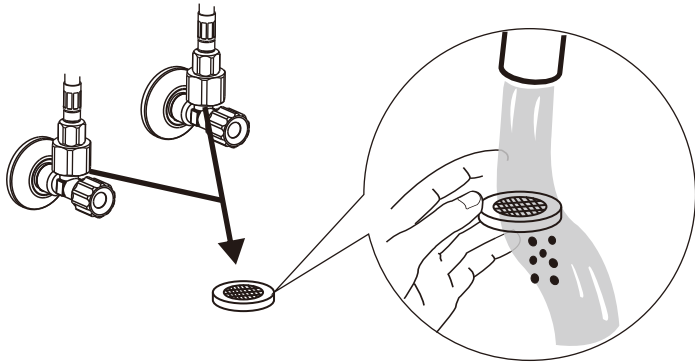
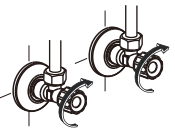


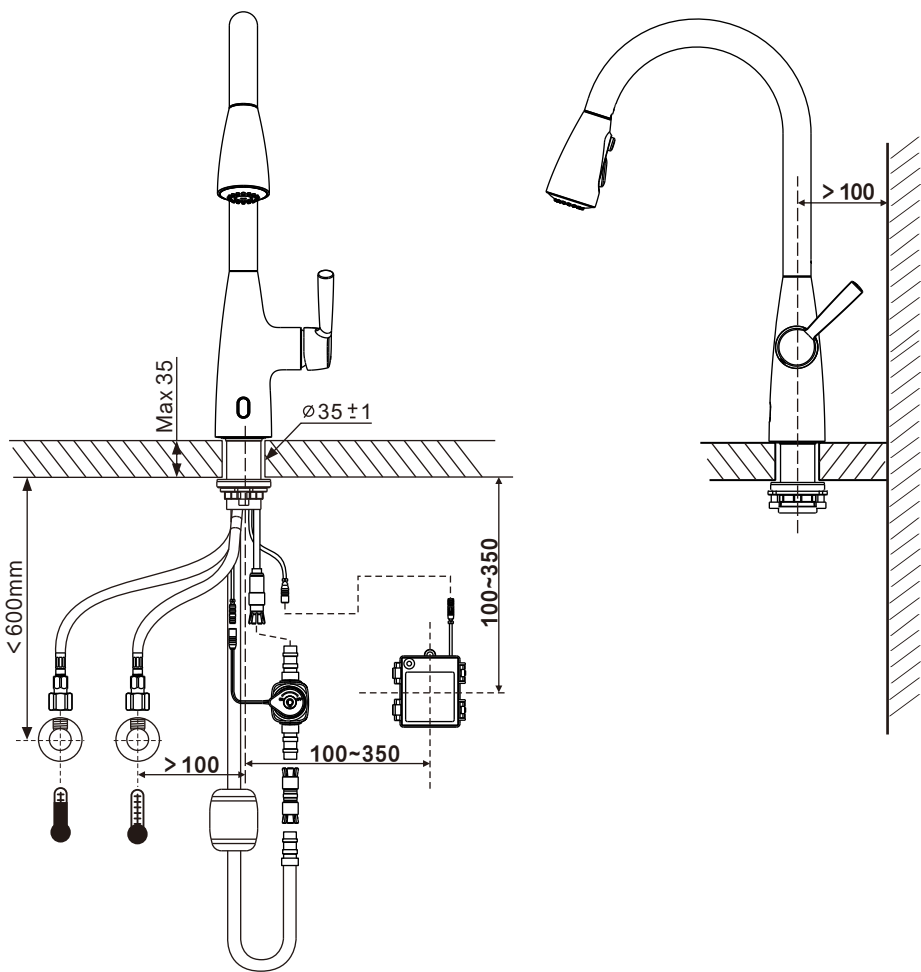
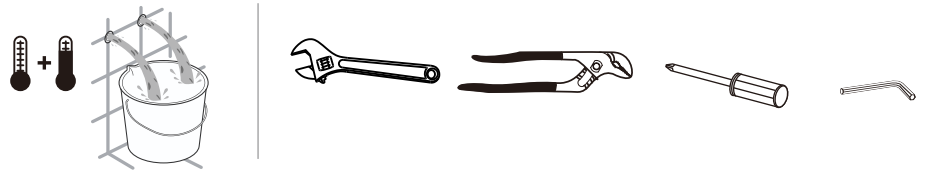
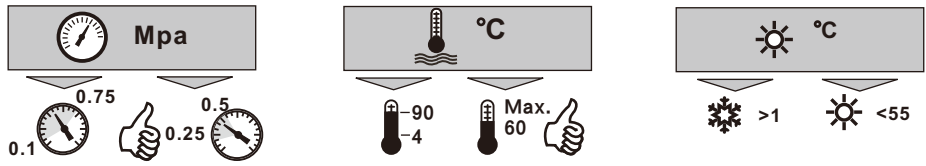
G 1/2" G 1/2"



2.5mm





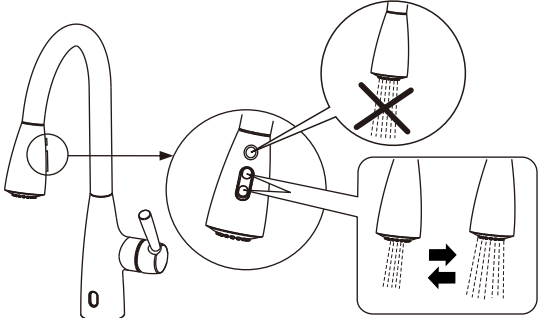
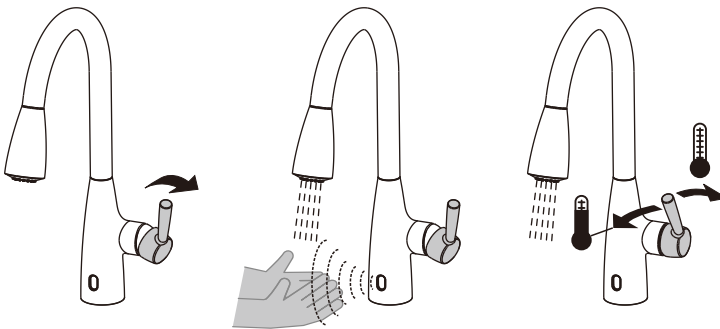


使用前注意事项

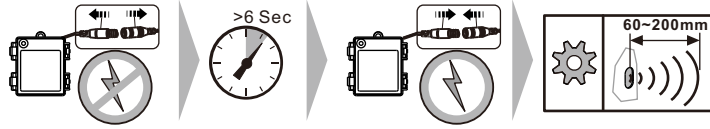
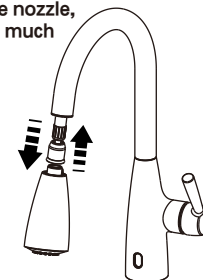
1. 确保电源和供水已接通。
2. 如使用频率高时，请将把手一直打开。
3. 本产品具有超时自动关闭功能，如持续使用超过2分钟，将自动关闭。如需继续使用，请重新感应打开。
4. 长时间不使用龙头时，建议关闭把手。

Precautions:

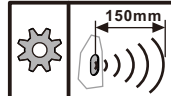
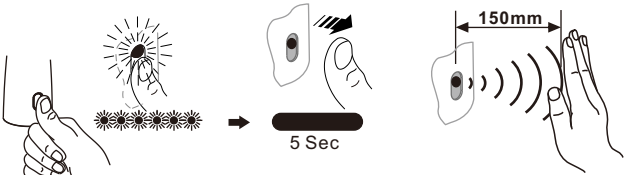
1. Make sure the power and water supply are connected and the solenoid valve switch is turned on
2. If the frequency of use is high, please keep the handle open
3. This product has an automatic shutdown function. If it is continuously used for more than 2 minutes, it will automatically shut down. If you want to continue using it, please turn it on again.
4. When the faucet is not used for a long time, it is recommended to put the handle back to the close position.

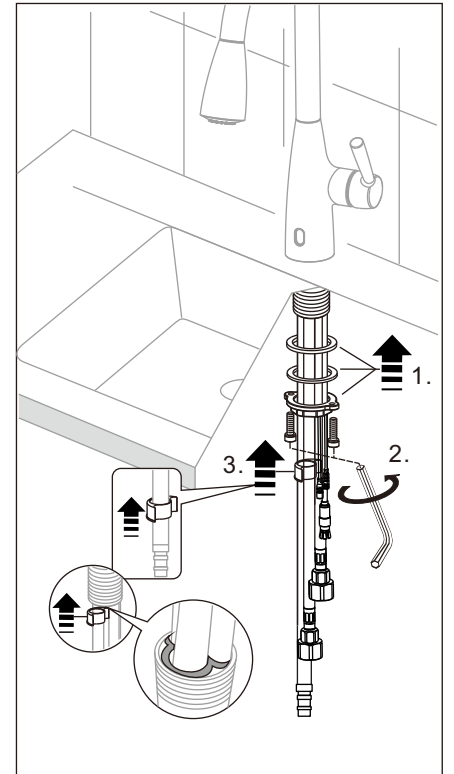
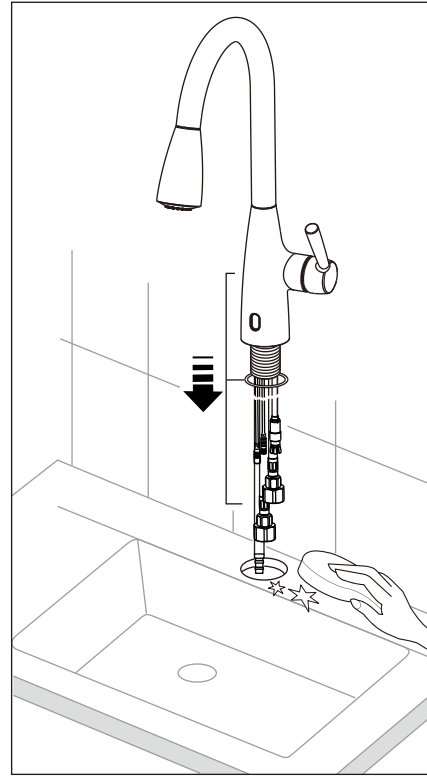
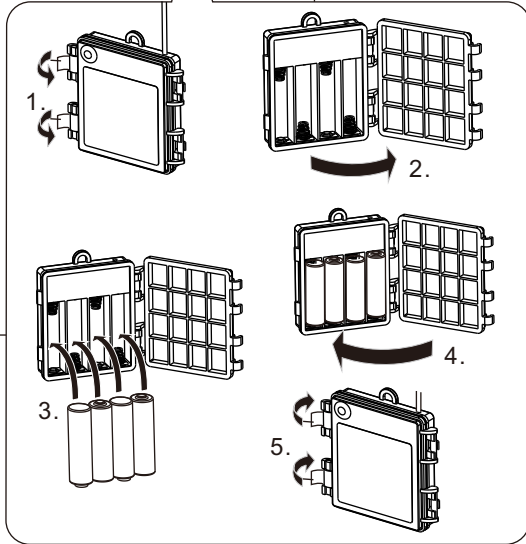
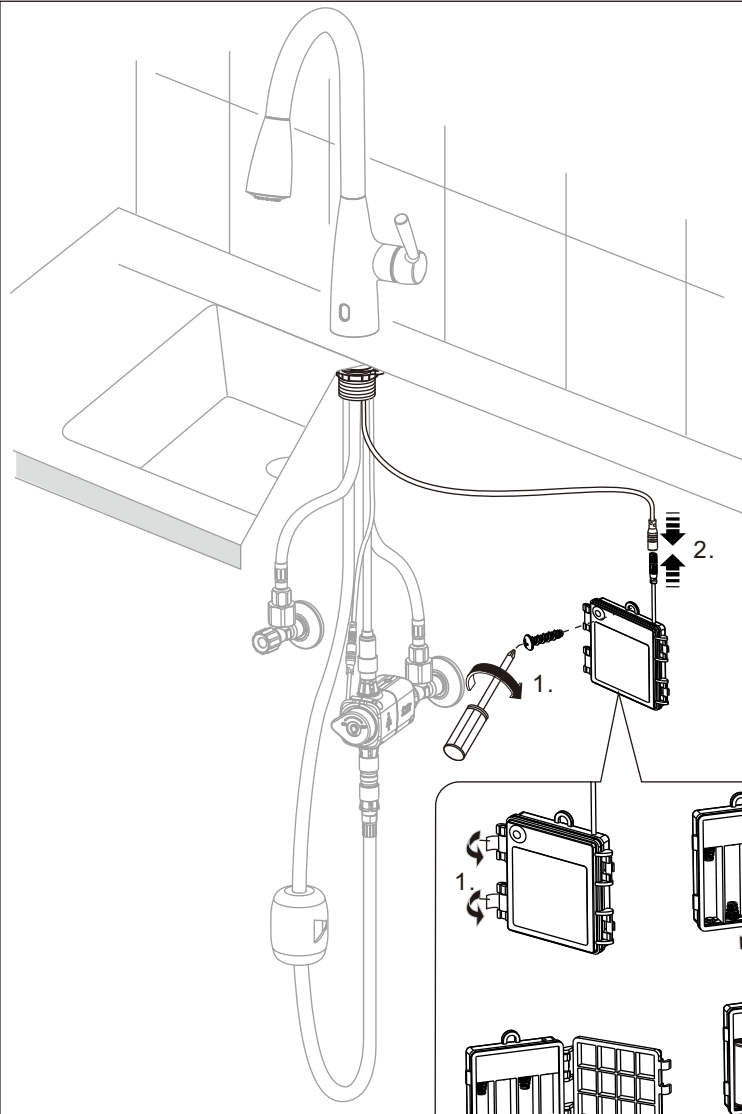
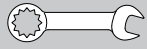


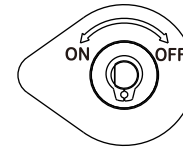
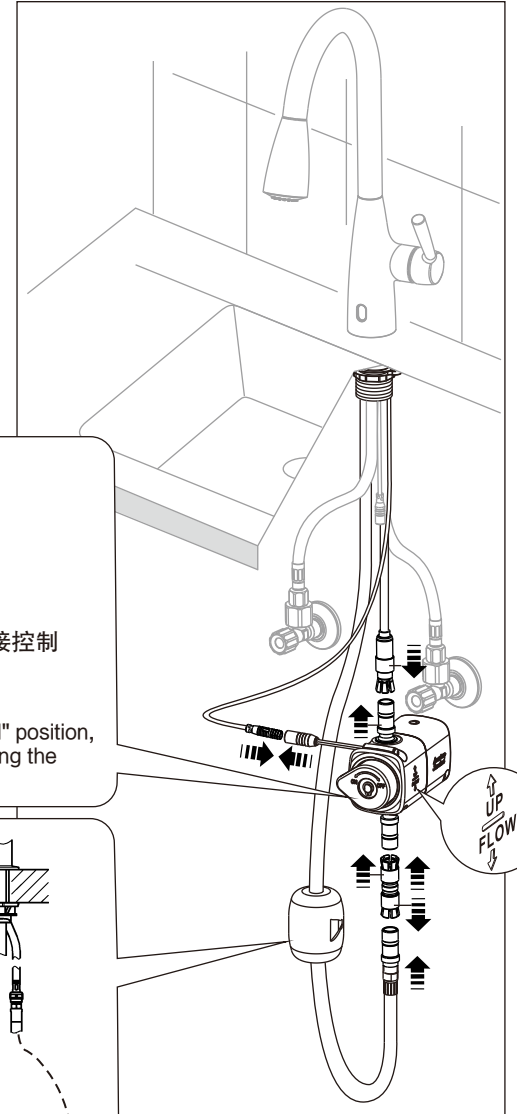
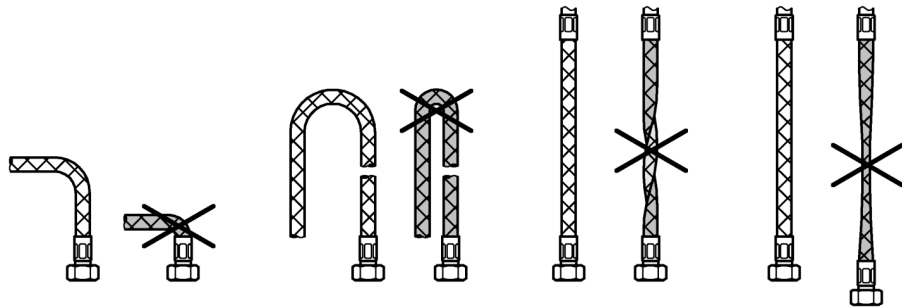
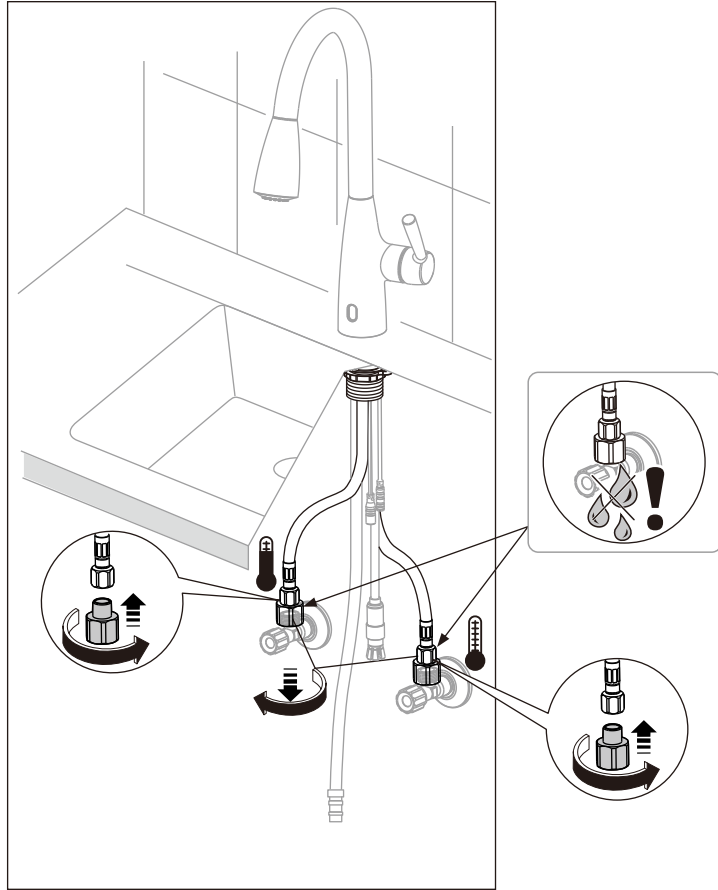
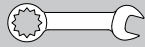
抽拉喷头时，不要用力过猛。
When pulling the nozzle, do not exert too much force.



出厂默认感应距离：100mm
可调距离：60~200mm
Factory default sensing distance: 100mm
Adjustable sensing distance: 60~200mm







默认为“OFF”。
当没电时，切换到“ON”位置，直接控制龙头的把手即可实现开、关水。

The default value is OFF.
When the power is out, switch to the "ON" position, Turn on and off water by directly controlling the handle of the faucet.

