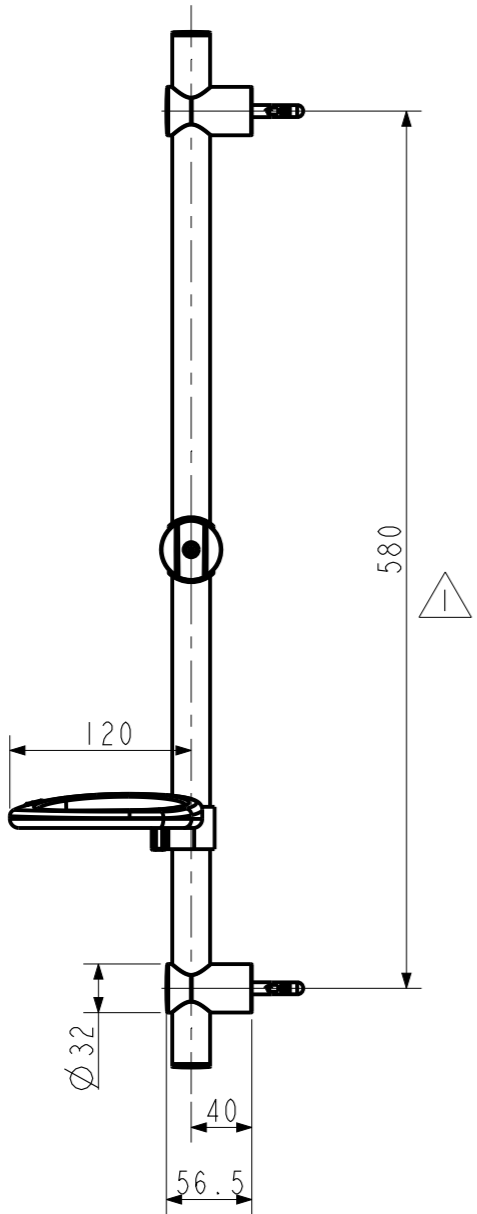
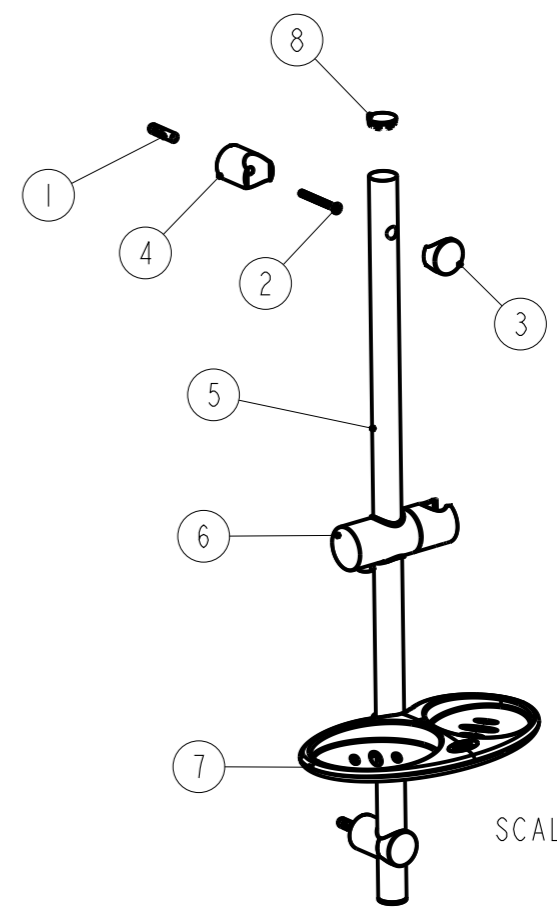
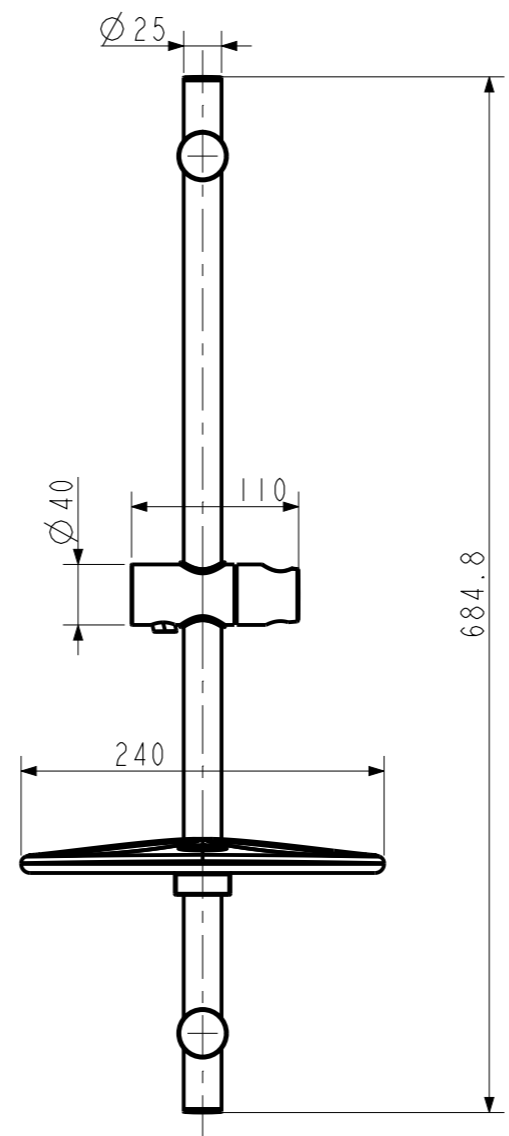


A/1

| Tolerance, Unless Otherwise Stated, Is | | | |
|--|-----------------------|------|------|
| Above | 0.5 to and including | 6 | ±0.1 |
| Excess | 6 to and including | 30 | ±0.2 |
| Excess | 30 to and including | 120 | ±0.3 |
| Excess | 120 to and including | 315 | ±0.5 |
| Excess | 315 to and including | 1000 | ±0.8 |
| Excess | 1000 to and including | 2000 | ±1.2 |

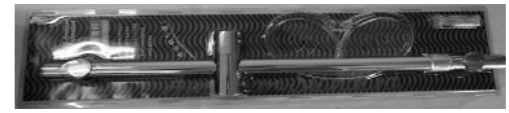


SCALE 0.200



SCALE 0.150

- 技术要求:
1. 产品符合《W110.0573 内控标准—淋浴滑杆》要求;
 2. 产品采用吸塑包装, 卡纸印刷安装指引;
 3. 每箱装10套产品, 每层放置两套产品采用隔板分隔开;
 4. 外箱两侧粘贴产品标签.



| 8 | FF1-CN521Z9Z909108 | 盖帽 | ABS | 2 | 镀铬 |
|----|--------------------|------|--------|----|---------------------|
| 7 | FF1-CN521Z9Z909106 | 皂盘 | 亚克力 | 1 | 透明 |
| 6 | FF1-CN521Z9Z909104 | 花洒座 | 组件 | 1 | 镀铬 |
| 5 | FF1-CN521Z9Z909105 | 滑杆 | H65 | 1 | Ø25*680*0.8 抛光镀铬 |
| 4 | FF1-CN521Z9Z909102 | 墙座 | ABS | 2 | 镀铬 |
| 3 | FF1-CN521Z9Z909103 | 装饰盖 | ABS | 2 | 镀铬 |
| 2 | FF1-CN521Z9Z909107 | 螺钉 | SUS304 | 2 | ST3.5*16 |
| 1 | FF1-CN521Z9Z909101 | 膨胀套 | POM | 2 | |
| 序号 | 料号 | 名称描述 | 材料 | 用量 | 备注 |

| | | | | | |
|----------|----------|------------|--------------------------|--|--|
| DESIGNED | 阮国林 | 2019.09.17 | TITLE | | |
| CHECKED | 付志心 | 2019.09.17 | REF | | |
| APPROVED | 阮国林 | 2019.9.17 | CF-9091.000.50\迈阿密直形淋浴滑杆 | | |
| SCALE | MATERIAL | WEIGHT | DWG NO. | | |
| 1:5 | 组件 | | FFAS9091-000500BC0 | | |

| △ | 1. 尺寸145更改为580; 2. 增加包装要求. | 2019.09.17 | 阮国林 |
|-----|-------------------------------|------------|------|
| REV | DESCRIPTION | DATE | NAME |

American Standard