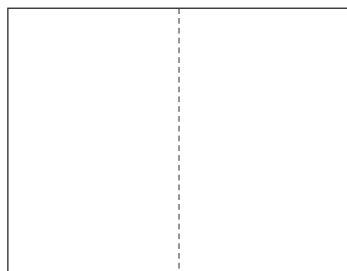
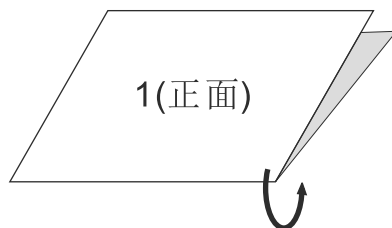


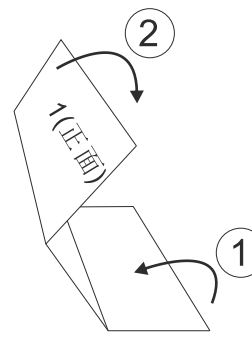
Tolerance, Unless Otherwise Stated. Is	
Above 0.5 to and including 6	±0.1
Excess 6 to and including 30	±0.2
Excess 30 to and including 120	±0.3
Excess 120 to and including 315	±0.5
Excess 315 to and including 1000	±0.8
Excess 1000 to and including 2000	±1.2



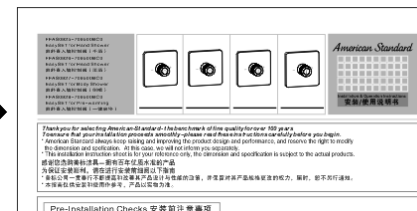
1. 说明书双面印刷完成 (420x297=A3) 共1页



2. 说明书折叠-1



3. 说明书折叠-2



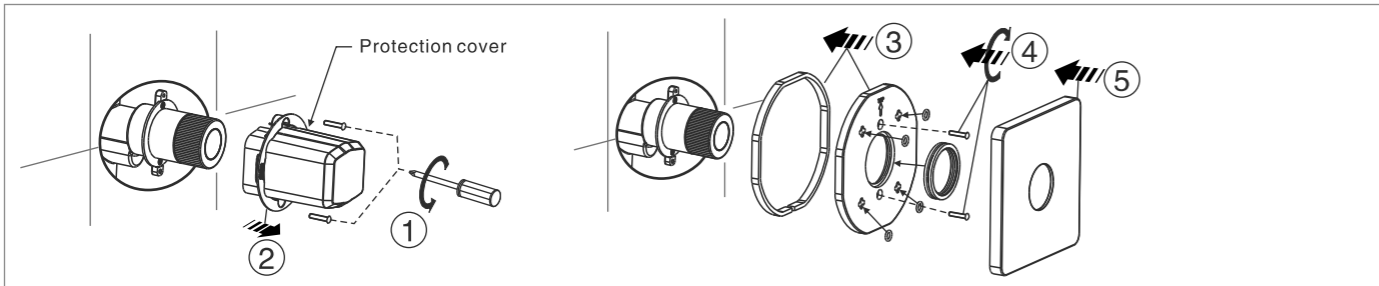
4. 说明书折叠完成

制作说明:

1. 说明书完成的尺寸: 210*100
2. 材料: 80克的白色纸
3. 印刷说明: 说明书为420x297(A3) 双面印刷, 并折叠成210x100大小完成(详看图示)
4. 印刷颜色: 灰度
5. 印刷时, 内容准确, 清晰, 墨色均匀, 表面清洁。

DESIGN	黄卓桓	2022.11.18	TITLE	Instructions	
CHECKED	刘卫群	2022.11.18	REF	中英文说明书(PVD) FFAS0925-709XXXXXX FFAS0926-709XXXXXX FFAS0927-709XXXXXX FFAS0928-709XXXXXX	
APPROVED	郭志	2022.11.18.	DWG NO.	FF1-CN521K00566599	
SCALE	MATERIAL	WEIGHT	<i>American Standard</i>		
REV	DESCRIPTION	DATE			

2 Installing the Escutcheon and Handle (FFAS0925 / FFAS0926 / FFAS0927 / FFAS0928)



Test / Usage

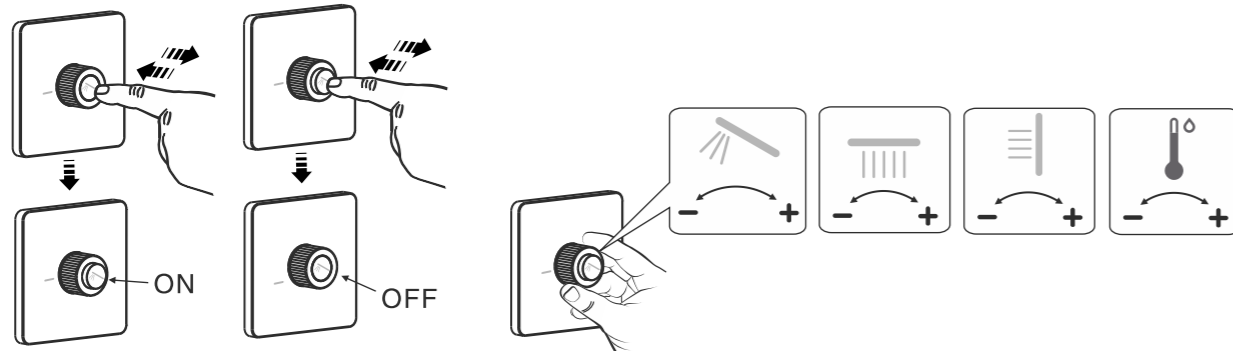
1 Test

- * Press handle to "OFF" position. Open water supply valve to check all connections for leakage;
- * Press handle to "ON" position. Check the water flow.

2023年1月16日
A/O

2 Usage

FFAS0925 / FFAS0926 / FFAS0927 / FFAS0928

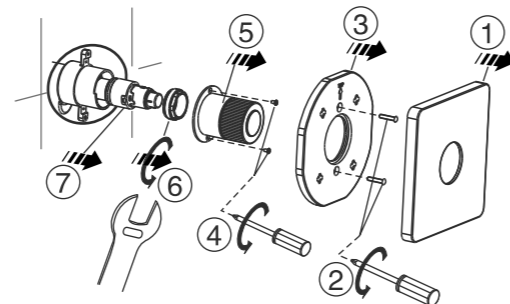


Trouble Shooting Guide

Trouble	Checkpoint	Contents	Action
Poor flow rate	Water supply valve	Check valve position.	Open it to full valve
Leakage	Cartridge packing	Check cartridge install.	When packing is damaged, replace the cartridge.
Deviant Temperature	Supply Valve	Check if the water from Supply valve is enough or not	Increase water supply
	Supply system	Check if the supply pipe connected correct or not	Connect the hot and cold water pipe correctly

Care & Maintenance

- * If you want to do the maintenance for the faucet, please follow the below process.
- * Before maintenance, please shut off the water supply system.



Attention:
Please Leave the manual to the customer after installation is finished.

FFAS0925-709XXXBF0
FFAS0925-709XXXBT0
EasySET for Hand Shower
FFAS0926-709XXXBF0
FFAS0926-709XXXBT0
EasySET for Head Shower
FFAS0927-709XXXBF0
FFAS0927-709XXXBT0
EasySET for Body Shower
FFAS0928-709XXXBF0
FFAS0928-709XXXBT0
EasySET for Pre-warming

XXX = AL0 / A00 / DA0 / GL0 / 440 / 500

FFAS0925-709XXXBF0
FFAS0925-709XXXBT0

FFAS0926-709XXXBF0
FFAS0926-709XXXBT0

FFAS0927-709XXXBF0
FFAS0927-709XXXBT0

FFAS0928-709XXXBF0
FFAS0928-709XXXBT0

American Standard

Installation & Operation Instructions

Thank you for selecting American-Standard - the benchmark of high quality for over 100 years.

To ensure the installation proceeds smoothly--please read these instructions carefully before you begin.

- * American Standard always keep raising and improving the product design and performance, and reserve the right to make changes in product characteristics, package, availability at any time without notice.
- * This installation instruction sheet is for your reference only, the dimension and specification is subject to the actual products.

Pre-Installation Checks

- * All instruction procedures must strictly comply with local plumbing and building codes regulations.
- * Remove all impurity in pipes before beginning to avoid clogging. Connect faucet pipes correctly.
- * Check installation distances in the Dimension diagram to ensure correct installation.

Conditions for use:

- * Recommended water pressure condition: (Dynamic Pressure) : 0.1Mpa-0.5Mpa (When exceed 0.5MPa, it is strongly advised to add pressure reducing valve)
- * Environment Temperature: 1~55°C
- * Water temperature: 4°C ~ 90°C
- * The cold and hot water pipes must not be reserved. Steam is not allowed to use.

Recommended Tools and Materials



Adjustable Wrench



Level



Screwdriver



Tape Measure



Teflon Tape

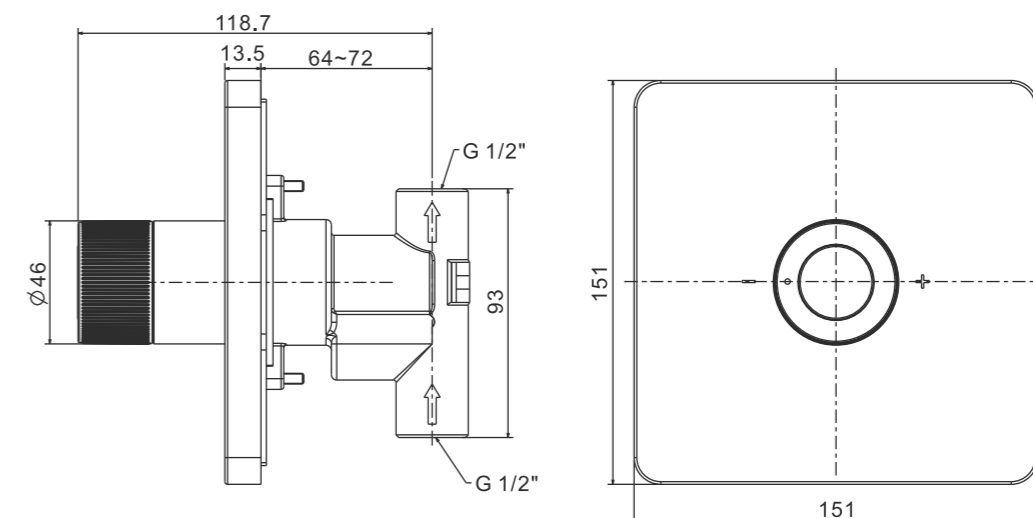


Pencil

Dimension

Unit: mm

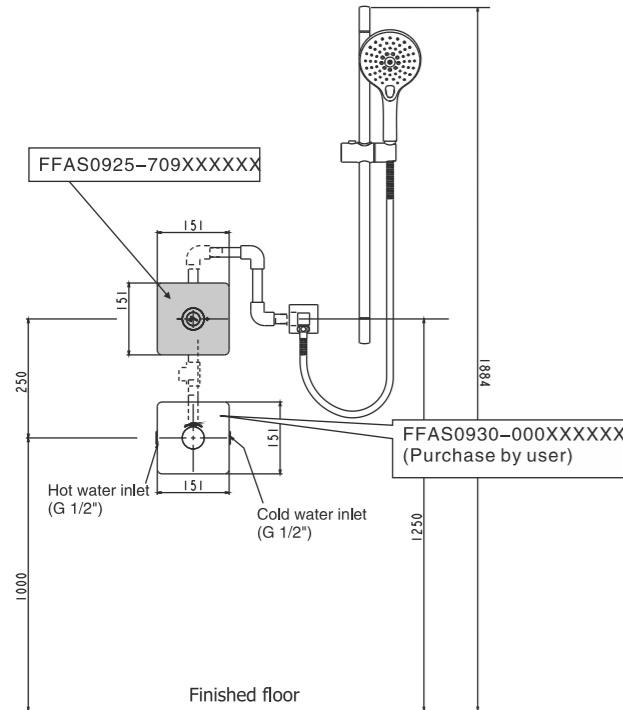
FFAS0925 / FFAS0926 / FFAS0927 / FFAS0928



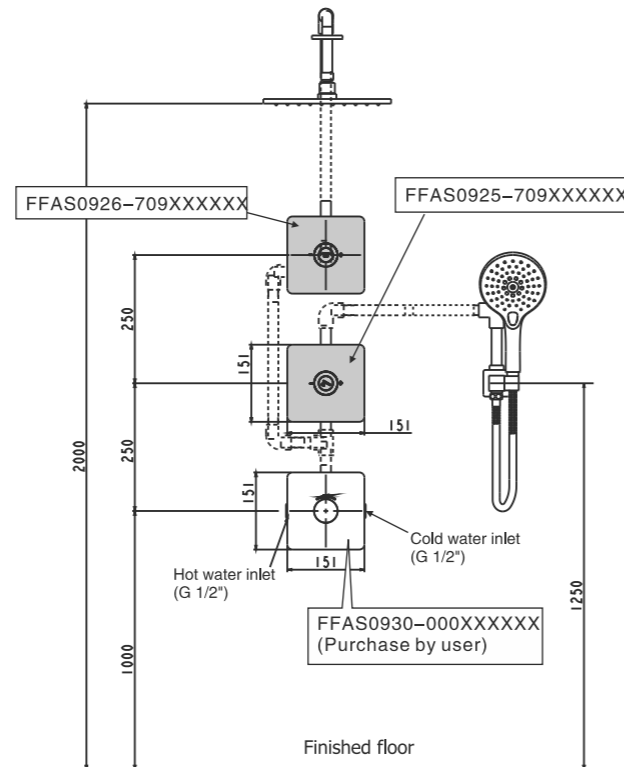
The combination of the recommended installation drawing

2023年1月16日
A/O

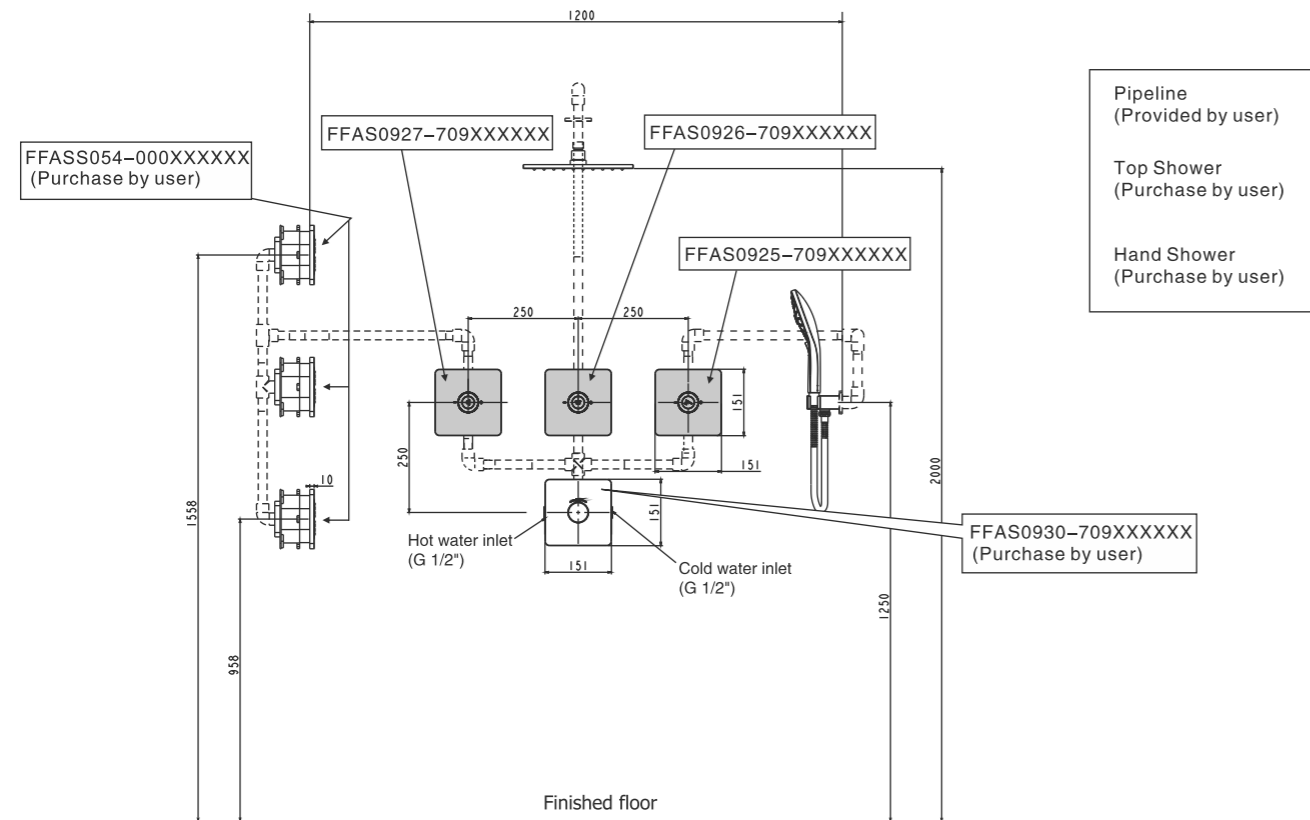
Combination 1



Combination 2



Combination 3

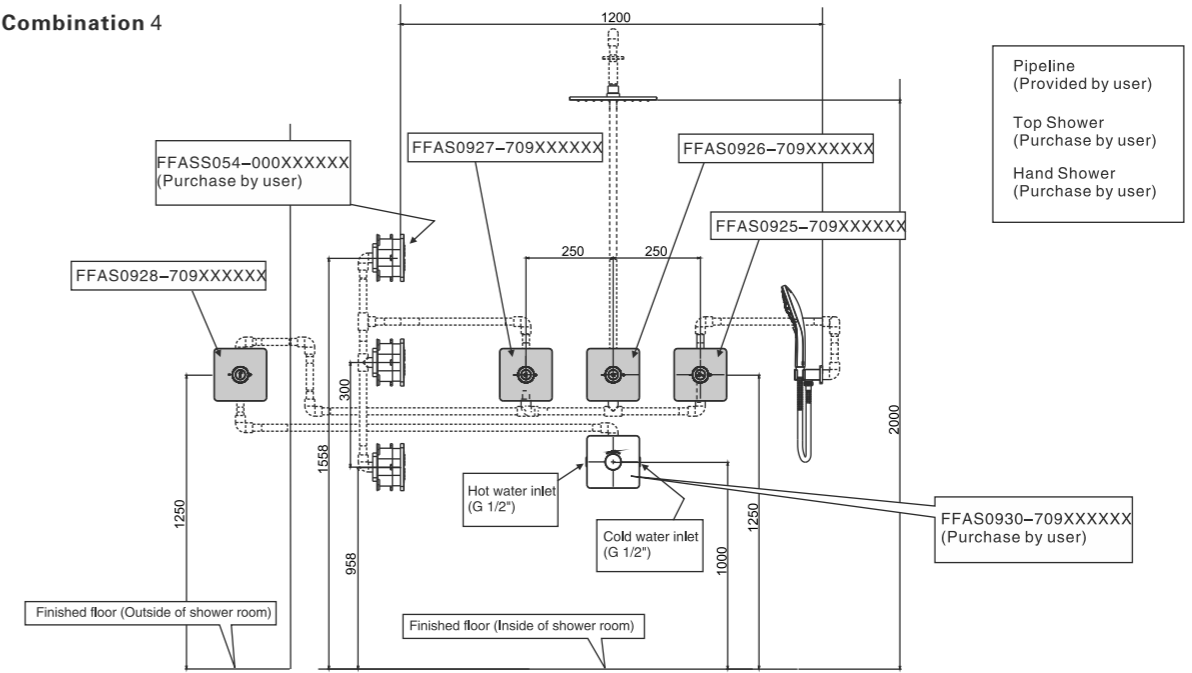


Pipeline
(Provided by user)

Top Shower
(Purchase by user)

Hand Shower
(Purchase by user)

Combination 4

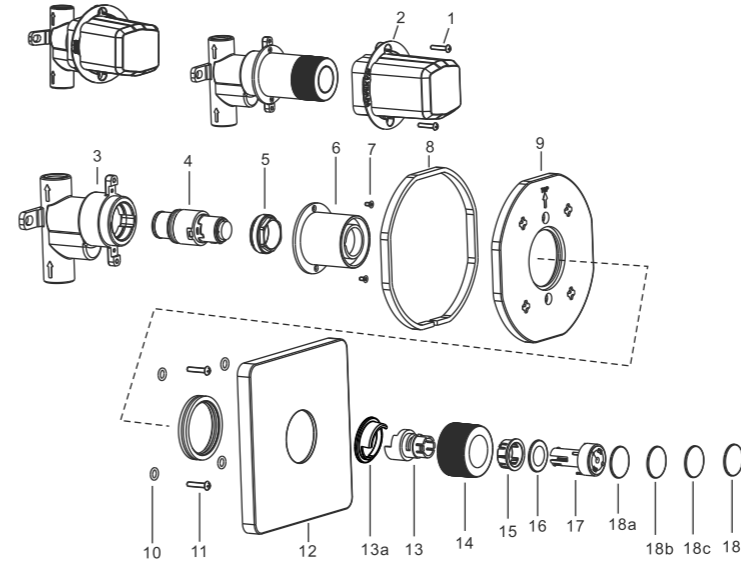


Pipeline
(Provided by user)

Top Shower
(Purchase by user)

Hand Shower
(Purchase by user)

Parts List

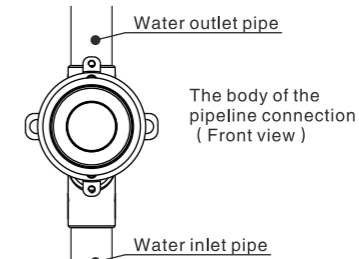
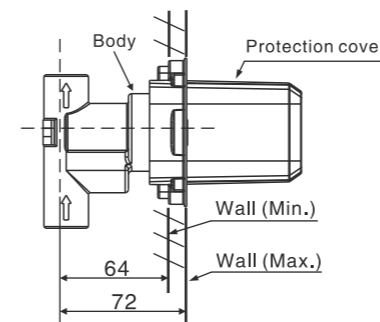


Parts List

No.	Part Name	Q'ty			
		FFAS 0925	FFAS 0926	FFAS 0927	FFAS 0928
1	Screw	2	2	2	2
2	Protection cover	1	1	1	1
3	Body	1	1	1	1
4	Cartridge	1	1	1	1
5	Lock nut	1	1	1	1
6	Bushing	1	1	1	1
7	Screw	2	2	2	2
8	Washer	1	1	1	1
9	Fixing plate	1	1	1	1
10	O-Ring	4	4	4	4
11	Screw	2	2	2	2
12	Escutcheon	1	1	1	1
13	Handle adapter	1	1	1	1
13a	Stop ring	1	1	1	1
14	Handle	1	1	1	1
15	Bushing	1	1	1	1
16	Washer	1	1	1	1
17	Button body	1	1	1	1
18a	Button cover	1	0	0	0
18b	Button cover	0	1	0	0
18c	Button cover	0	0	1	0
18d	Button cover	0	0	0	1

Installation

1 Installing the Body (FFAS0925 / FFAS0926 / FFAS0927 / FFAS0928)



1 Determine the installation position and lay the water supply pipeline reference to installation drawing.

2 Connecting the pipeline. Before the installation, Wash and clean the water supply pipeline.

3 Confirm no leakage. Finished the wall.