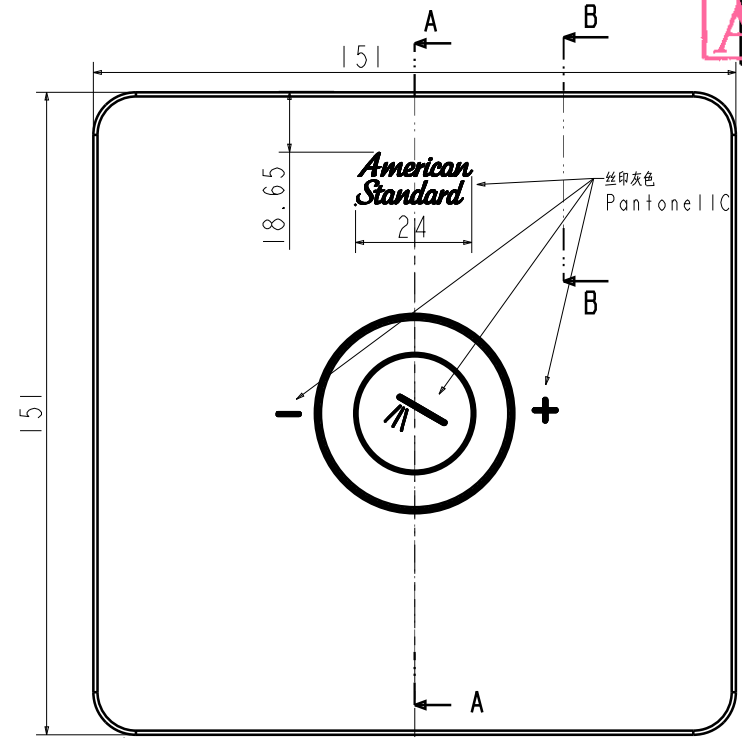
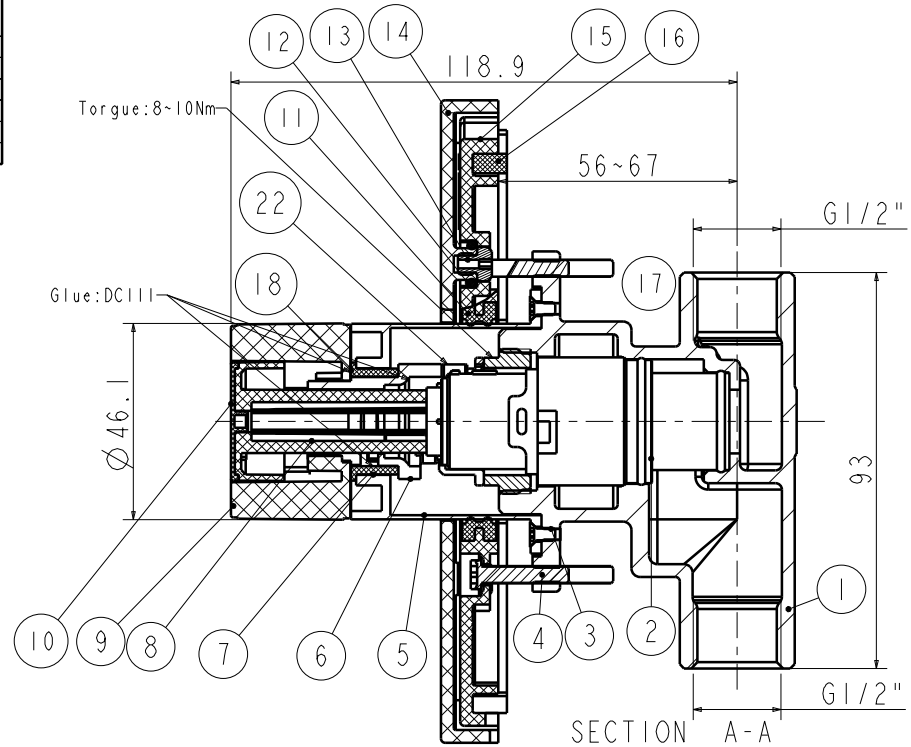
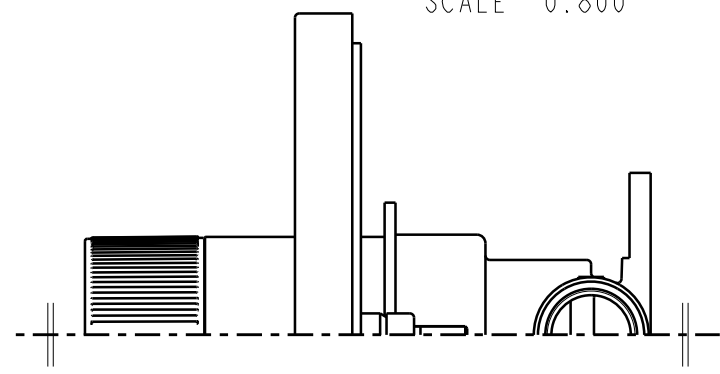
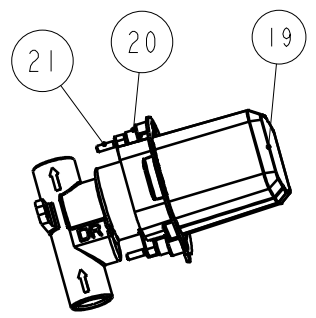


A/O

Tolerance, Unless Otherwise Stated, Is		
Above 0.5 to and including 6	±0.1	
Excess 6 to and including 30	±0.2	
Excess 30 to and including 120	±0.3	
Excess 120 to and including 315	±0.5	
Excess 315 to and including 1000	±0.8	
Excess 1000 to and including 2000	±1.2	



SECTION A-A
B-B
SCALE 0.800



22	FF1-CN521Z0016799P	411782031 易舒喜转动套	ABS	1	黑色
21	FF1-CN521N00000268	158K618253\螺钉 (M4X20)	SUS304	2	
20	FF1-CN521J00000338	1582243999\一体式感应冲洗阀紧固塑料套	POM	2	
19	FF1-CN521Z00000212	1582240799\入墙淋浴保护套 (47#)	PP	1	
18	FF1-CN521G0003799P	垫圈 (26*21*0.2)	TEFLON	1	
17	FF1-CN521N00002299	按钮开关阀芯锁紧螺母	Hpb59-1	1	
16	FF1-CN521K00000034	1581193599\新典入墙面板泡沫垫 (4*8*570mm)	EVA	1	
15	FF1-CN521FAL000265	面板	ABS	1	
14	FF1-CN521F0004350P	入墙式控制阀面板	ABS	1	
13	FF1-CN521J00000214	1581801990\入墙面板通用固定销钉	Hpb59-1	4	
12	FF1-CN521G00000291	158A912789\O环 (7X2) (Water Mark)	EPDM	4	
11	FF1-CN521G00000206	1581387590\Φ46入墙面板密封圈 (56*45*8)	NBR	1	
10	FF1-CN521F00044ALP	盖	ABS	1	
9	FF1-CN521L00041ALP	把手	ABS	1	
8	FF1-CN521J0010409P	入墙按压阀按钮 (白色)	POM	1	
7	FF1-CN521J0010599P	定位套	POM	1	
6	FF1-CN521J0010699P	把手连接套	POM	1	
5	FF1-CN521J00108ALB	铜套	Hpb59-1	1	
4	FF1-CN521N00000185	1581839699\感应冲洗阀紧固板紧固螺钉	SUS304	2	
3	FF1-CN521N00000269	158K618277\迈阿密单孔面盆水龙头限位螺钉	SUS304	2	
2	FF1-CN521C00000499	按钮开关阀芯	Assembly	1	
1	FRZ20021-0010599M C	入墙式按压开关控制阀本体	GkMs60Fk	1	

DESIGNED	利华沃	20221221	TITLE
CHECKED	<i>[Signature]</i>	2022.12.21	REF
APPROVED	<i>[Signature]</i>	2022.12.21	易舒喜入墙控制阀 (手洒) 流云灰
SCALE	MATERIAL	WEIGHT	DWG NO.
4:5	Assembly		FFAS0925-709AL0BF0



REV	DESCRIPTION	DATE	NAME