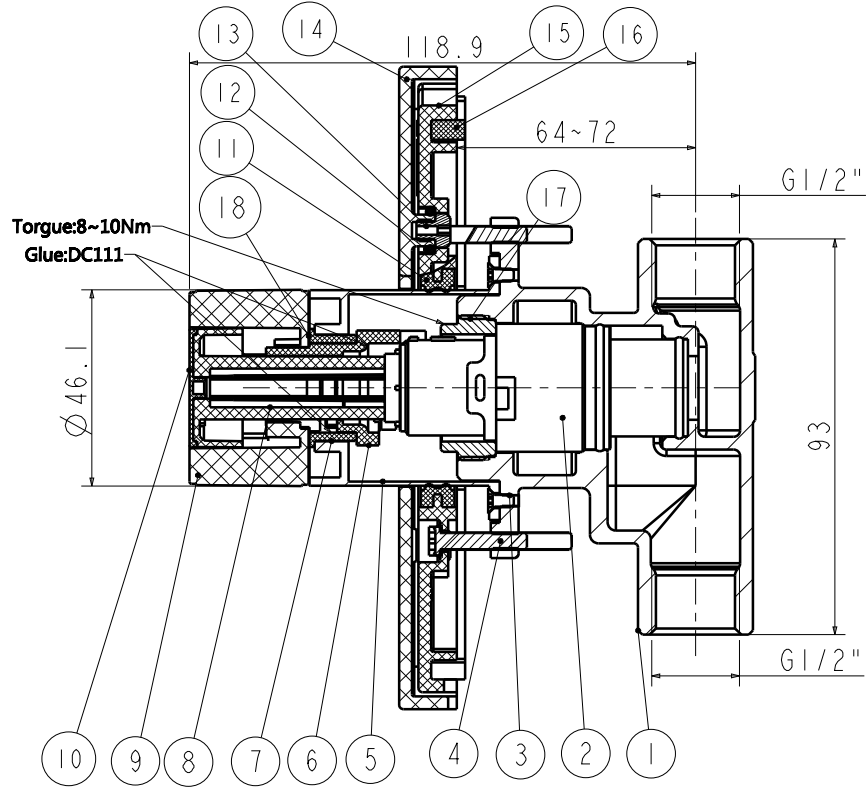


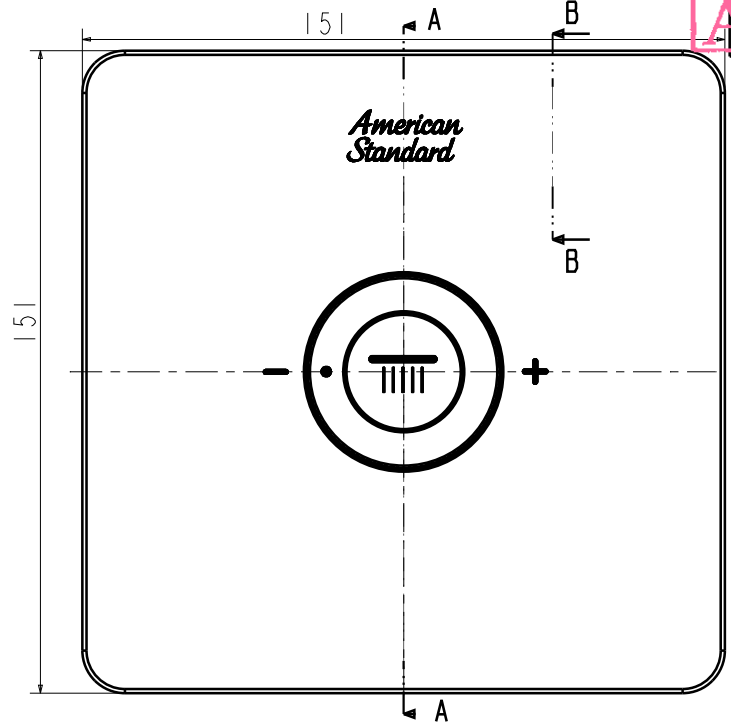
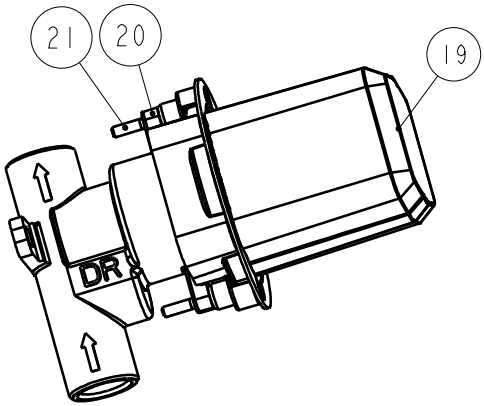
A/O

Tolerance, Unless Otherwise Stated, Is			
Above 0.5 to and including 6	±0.1		
Excess 6 to and including 30	±0.2		
Excess 30 to and including 120	±0.3		
Excess 120 to and including 315	±0.5		
Excess 315 to and including 1000	±0.8		
Excess 1000 to and including 2000	±1.2		



Torque: 8~10Nm
Glue: DC111

SECTION A-A
B-B
SCALE 0.800



21	FF1-CNS21N00000268	Screw (M4X20)	2	SUS304	
20	FF1-CNS21J00000338	Bushing	2	POM	
19	FF1-CNS21Z00000212	Protect Cover For Inwall Shower	1	PP	
18	FF1-CNS21G0003799P	Washer (26*21*0.2)	1	NBR	
17	FF1-CNS21N00002299	Locking Nut Push Button Valve	1	Hpb59-1	
16	FF1-CNS21K00000034	Foam Washer for Nobile In-Wal	1	EVA	
15	FF1-CNS21F00000014	Fixing Plate for Concealed Sh	1	ABS	
14	FF1-CNS21FAL000265	Escutcheon for Easy Dial control Valve	1	ABS	
13	FF1-CNS21J00000214	Fix Pin for Universal Conceal	4	Hpb59-1	
12	FF1-CNS21G00000291	O-Ring	4	EPDM	
11	FF1-CNS21G00000206	Ø46 Seal Ring	1	NBR	
10	FF1-CNS21F00045ALP	Handle Cover for Easy Dial (hand shower)	1	ABS	
9	FF1-CNS21L00041ALP	Handle for Easy Dial	1	ABS	
8	FF1-CNS21J0010409P	Handle Button for Easy Dial (white)	1	POM	
7	FF1-CNS21J0010599P	Handle Bushing for Easy Dial	1	POM	
6	FF1-CNS21J0010699P	Handle Connector for Easy Dial	1	POM	
5	FF1-CNS21J00108ALB	Cartridge bushing for Easy Dial	1	Hpb59-1	
4	FF1-CNS21N00000185	SCREW	2	SUS304	
3	FF1-CNS21N00000269	Screw for Minimalistic Slg Hole Lava	2	SUS304	
2	FF1-CNS21C00000499	Push Button Cartridge	1	Assembly	
1	FF2Z0021-0010599MC	Body For Push Button Valve	1	DZR	

NO.	PART NO.	PART NAME	QTY.	MATERIAL	FINISH
DESIGNED	利华沃	20221221	TITLE		
CHECKED	<i>[Signature]</i>	2022.12.21	REF		
APPROVED	<i>[Signature]</i>	2022.12.21	EasySET for Head Shower_Brushed Hard Graphite		
SCALE	MATERIAL	WEIGHT	DWG NO.		
4:5	Assembly		FFAS0926-709AL0BFO		



REV	DESCRIPTION	DATE	NAME