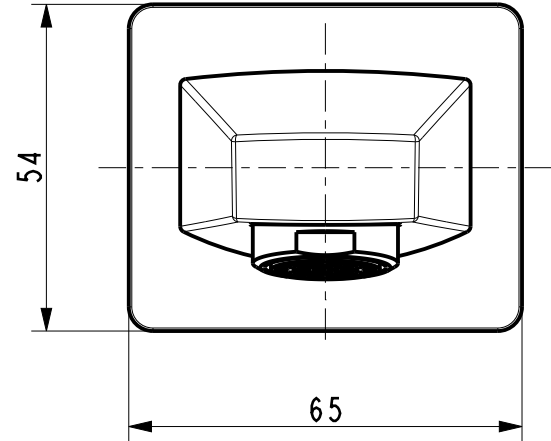
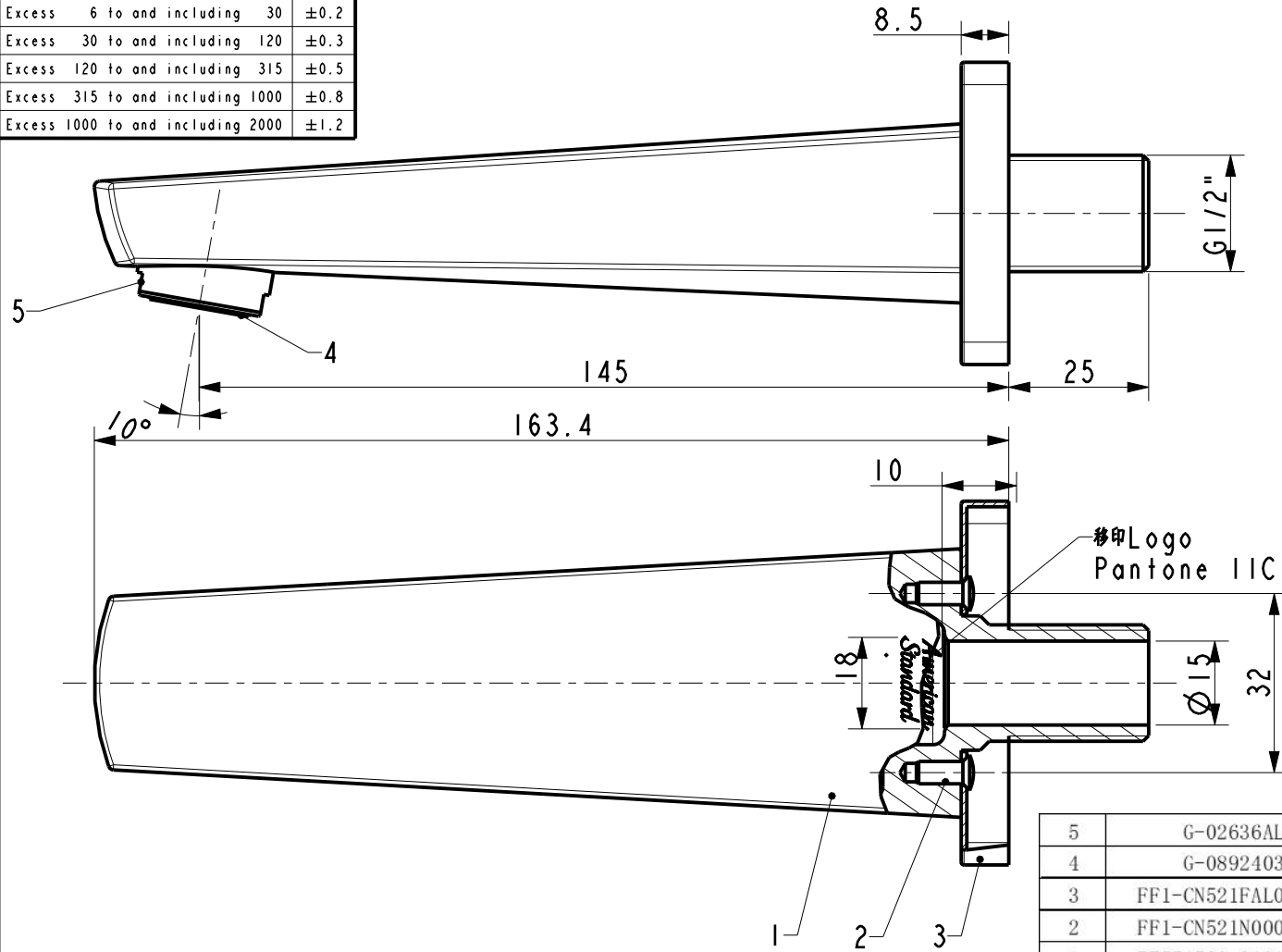


2023年12月11日

A/O

Tolerance, Unless Otherwise Stated. Is			
Above	0.5 to and including	6	±0.1
Excess	6 to and including	30	±0.2
Excess	30 to and including	120	±0.3
Excess	120 to and including	315	±0.5
Excess	315 to and including	1000	±0.8
Excess	1000 to and including	2000	±1.2



序号	料号	描述	数量	材料	备注
5	G-02636AL2	M24X1起泡器外壳 (AL0 PVD)	1	Hpb59-1	流云灰
4	G-08924031	起泡器芯子 (深灰色40.1006.0)	1	组件	
3	FF1-CN521FAL000102	澳斯入墙出水口罩-流云灰	1	H62	流云灰
2	FF1-CN521N00000236	SA918462\螺钉 M4*6 (A91846)	2	SUS304	
1	FFZZ1580-213131NAL	墙出水口本体-流云灰	1	GkMs60Fk	流云灰

- 技术要求:
1. 移印美标商标图案 位置如图示。字长18mm, 颜色pantone冷灰色11C
 2. 颜色零件符合《W110.0575_PVD外观检验标准》
 3. 移印符合《W110.4810_移印检验标准》
 4. 产品与现有成品FF1-CN521X00000480尺寸相同, 颜色不同

REV	DESCRIPTION	DATE	NAME

DESIGNED	区振锋	2023.11.14	TITLE	
CHECKED	利华斌	2023.11.14	REF	
APPROVED	李华斌	2023.11.14	A10入墙出水口_流云灰	
SCALE	MATERIAL	WEIGHT	DWG NO.	
4:5	Assembly		103835AL01	American Standard