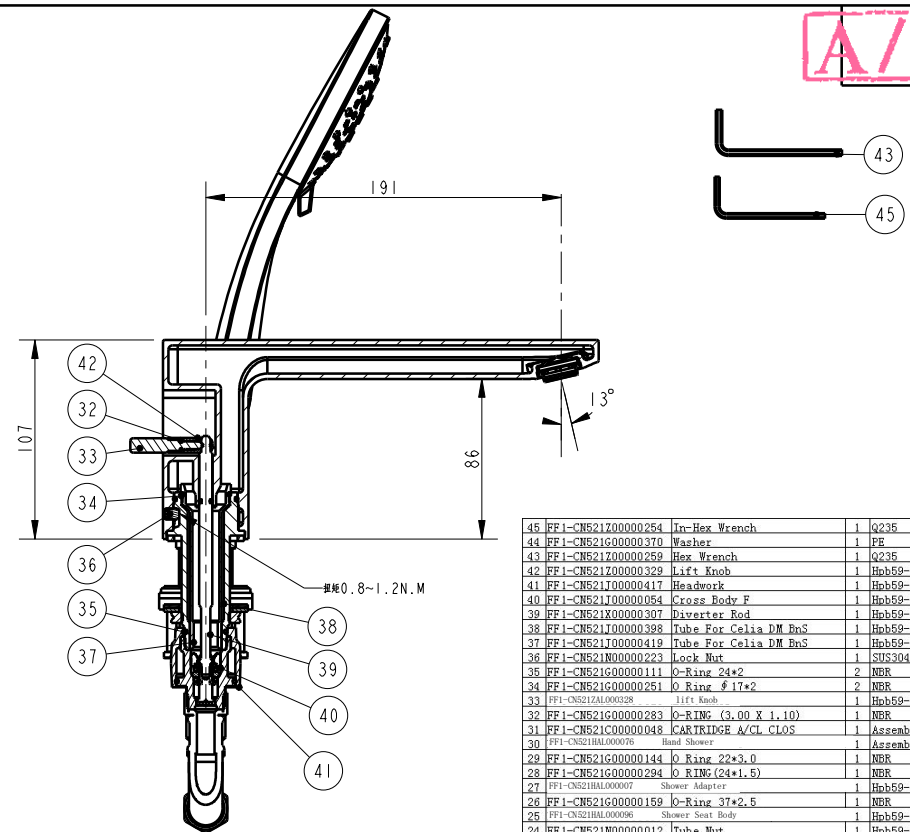
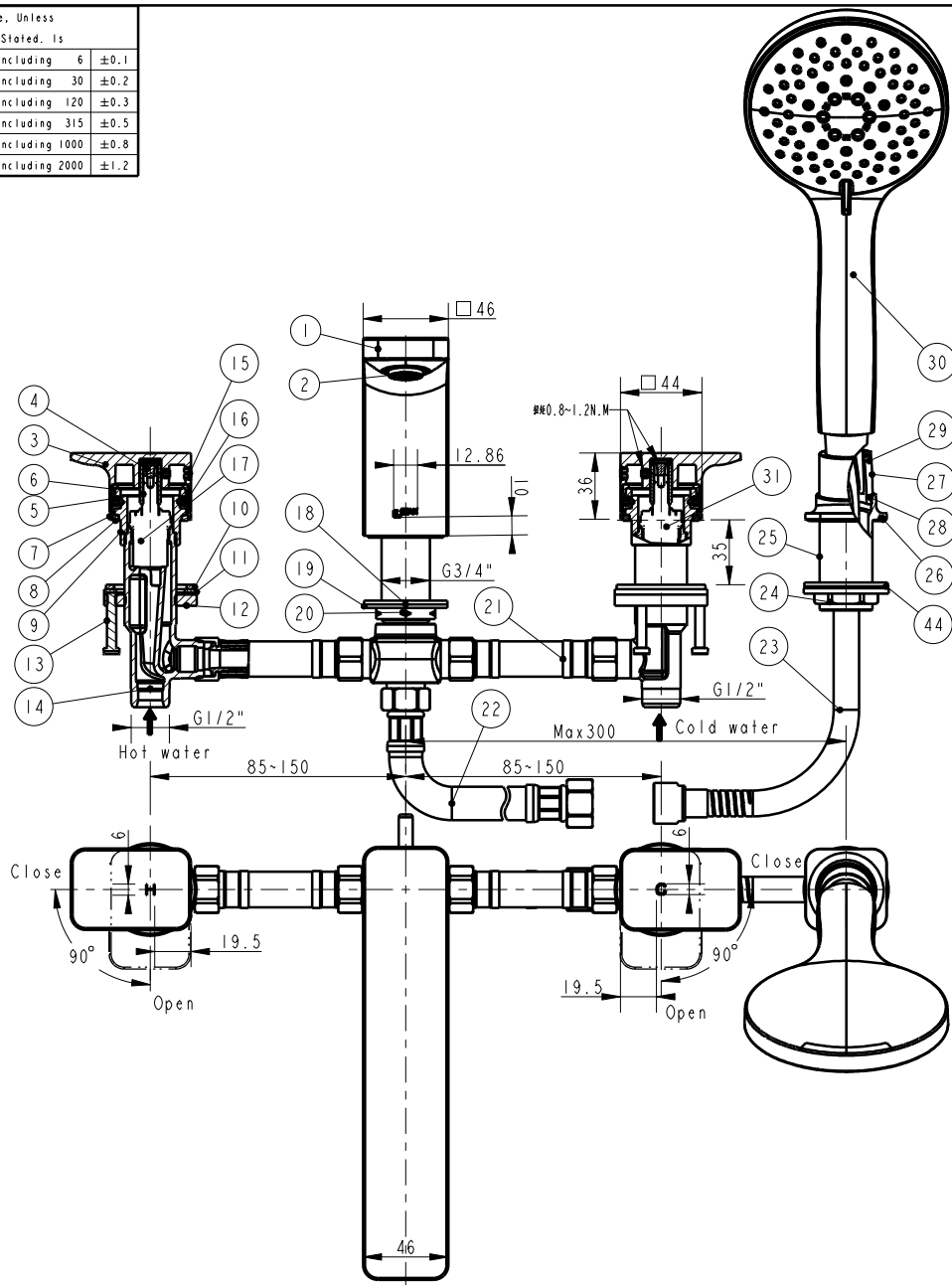


Tolerance, Unless Otherwise Stated, Is			
Above 0.5 to and including 6	±0.1		
Excess 6 to and including 30	±0.2		
Excess 30 to and including 120	±0.3		
Excess 120 to and including 315	±0.5		
Excess 315 to and including 1000	±0.8		
Excess 1000 to and including 2000	±1.2		



46	FFI-CNS21200000254	In-Hex Wrench	1	Q235	
44	FFI-CNS21G00000370	Washer	1	PE	
43	FFI-CNS21200000259	Hex Wrench	1	Q235	
42	FFI-CNS21200000329	Lift Knob	1	Hb59-1	
41	FFI-CNS21I00000417	Headwork	1	Hb59-1	
40	FFI-CNS21I00000054	Cross Body F	1	Hb59-1	
39	FFI-CNS21X00000307	Diverter Rod	1	Hb59-1	
38	FFI-CNS21I00000398	Tube For Celia DM EnS	1	Hb59-1	
37	FFI-CNS21I00000419	Tube For Celia DM EnS	1	Hb59-1	
36	FFI-CNS21N00000223	Lock Nut	1	SUS304	
35	FFI-CNS21G00000111	O-Ring 24*2	2	NBR	
34	FFI-CNS21G00000251	O-Ring #17*2	2	NBR	
33	FFI-CNS21AL0000328	Lift Knob	1	Hb59-1	
32	FFI-CNS21G00000283	O-RING (3.00 X 1.10)	1	NBR	
31	FFI-CNS21C00000048	CARTRIDGE A/CL CLOS	1	Assembly	
30	FFI-CNS21H10000029	Hand Shower	1	Assembly	
28	FFI-CNS21G00000144	O-Ring 22*3.0	1	NBR	
28	FFI-CNS21G00000294	O-RING (24*1.5)	1	NBR	
27	FFI-CNS21H10000007	Shower Adapter	1	Hb59-1	
26	FFI-CNS21G00000159	O-Ring 37*2.5	1	NBR	
26	FFI-CNS21H10000096	Shower Seat Body	1	Hb59-1	
24	FFI-CNS21N00000012	Tube Nut	1	Hb59-1	
23	FFI-CNS21I00000029	Shower Hose (1.5M)	1	Assembly	
22	FFI-CNS21I00000008	Hose 1/2inch*45	1	Assembly	
21	FFI-CNS21I00000035	Flexible Hose	2	Assembly	
20	FFI-CNS21N00000221	Lock Nut	1	Hb59-1	
19	FFI-CNS21N00000043	Metal Washer	1	Hb59-1	
18	FFI-CNS21G00000345	RUBBER WASHER_M	2	NBR	
17	FFI-CNS21C00000049	CARTRIDGE CL_CLOSE	1	Assembly	
16	FFI-CNS21N00000228	Screw M5*6	6	SUS304	
15	FFI-CNS21AL0004950	Plug for handle	2	ABS	
14	FFZZ0200-60150BDM	Side Valve	2	Gk#60FK	
13	FFI-CNS21I00000416	Bolt	6	SUS304	
12	FFI-CNS21N00000220	Nut	2	Hb59-1	
11	FFI-CNS21W00000045	Brass Washer	2	Hb59-1	
10	FFI-CNS21G00000035	Flat Washer	2	NBR	
9	FFI-CNS21G00000369	Handle washer	2	Hb59-1	
8	FFI-CNS21G00000234	PACKING	3	NBR	
7	FFI-CNS21AL000947	Handle Seat t	2	Hb59-1	
6	FFI-CNS21I00000549	Handle Plastic Washer	2	POM	
5	FFI-CNS21I00000563	Handle Support	2	POM	
4	FFI-CNS21N00000154	Screw M4	2	Hb59-1	
3	FFI-CNS21AL000192	Handle	2	Z7xA14-1	
2	FFI-CNS21SLR0000050	M24X1 Axerator	1	组件	
1	FFZZ1300-601ALBDF	Body	1	Gk#60FK	

No.	Part No.	Part Name	Qty	Material	Finish
DESIGNED	利华沃	20221221	TITLE		
CHECKED	<i>[Signature]</i>	2022.12.21	REF		
APPROVED	<i>[Signature]</i>	2022.12.21	Acacia E deck-mounted B&S basin mixer_Brushed Hard Graphite		
SCALE	MATERIAL	WEIGHT	DWG NO.		
1:2	Assembly		FFAS1300-601ALBFO		<i>American Standard</i>

REV	DESCRIPTION	DATE	NAME