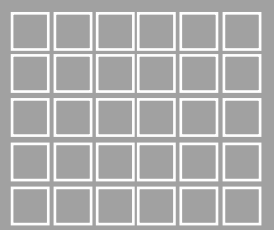
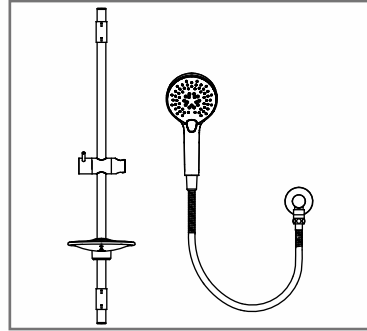


To ensure that your installation proceeds smoothly,
please read this instructions carefully before you begin.

American Standard

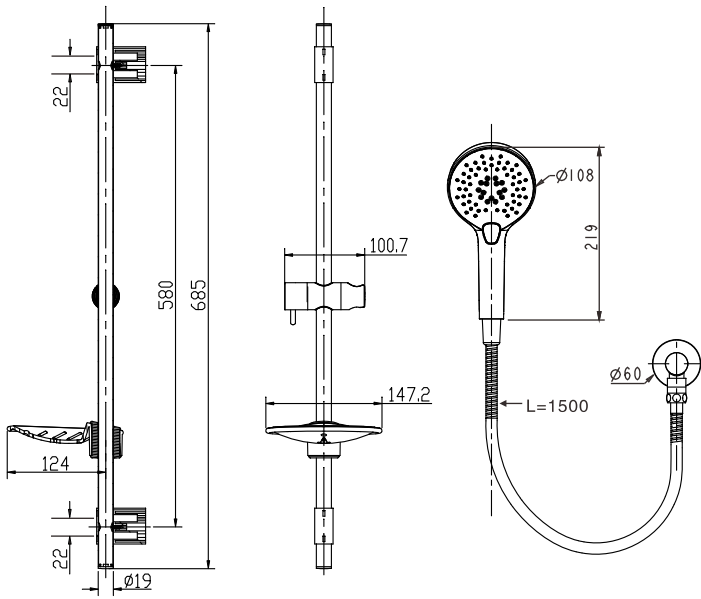
FFAS9A16-000500BN0
CYGNET RAIL SHOWER ROUND CP(3*)



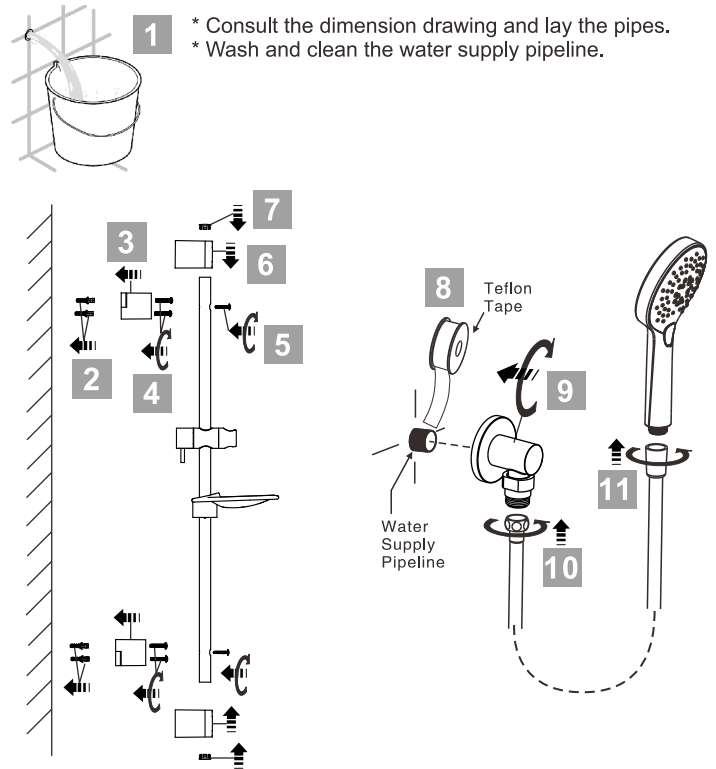
Installation &
Operation Instruction

Dimension

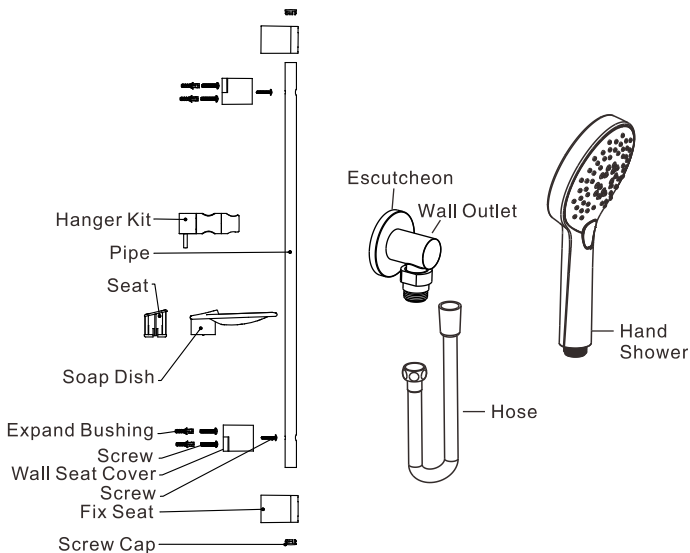
Unit: mm



Installation



Parts List



Notice

Remove all impurity in pipes before beginning to avoid clogging.
When you repair the product you will need to shut off hot/cold water supply
by closing the water supply.

Conditions for use

- * Water pressure condition: 0.1MPa~0.75MPa
- * Environment Temperature: 1°C~55°C
- * Not for use as a steam outlet.

Cleaning the surface

- * Rinse the product with clean water.
- * Dry with soft cotton flannel cloth.
- * Do not clean the product with acid, polish, abrasives, harsh cleaners,
or cloth with a harsh surface as these products may damage the finish.

WaterMark
AS 3662
WMKT21963