

FFAS1304-101440BF0

Acacia Evolution

Acacia E In-Wall Vessel Mixer_Matt Black

STYLE SEGMENT

- Modern

KEY SPECIFICATIONS

- Product Description: Concealed Vessel Mixer Faucet
- Colour: Black
- Faucet Type: Mixer
- No. of Faucet Holes Required: 2
- Flow Rate: 4.6
- Is Drain Included: Yes
- Connection Size (inches): G1/2

SHIPPING WEIGHT

- Net Weight: Contact us for more information
- Gross Weight: Contact us for more information

KEY TECHNOLOGIES AND FEATURES

HYGIENE

- Complies with American Standard Quality Standards

COMFORT

- Complies with American Standard Quality Standards

CONVENIENCE

- Complies with American Standard Quality Standards

DURABILITY

- Complies with American Standard Quality Standards

SUSTAINABILITY

- Complies with American Standard Quality Standards

SAFETY

- Complies with American Standard Quality Standards

OTHERS

- NIL

STANDARDS AND CERTIFICATIONS

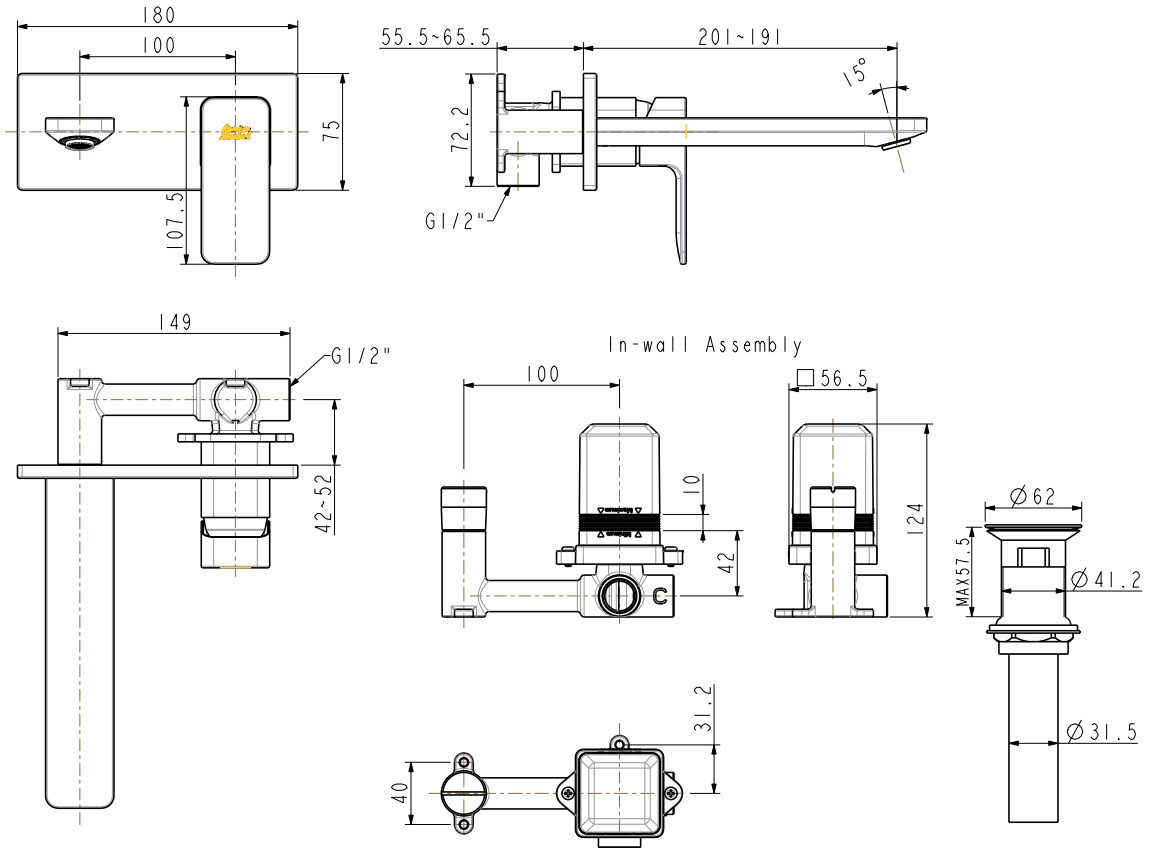
- GB 18145-2014



FFAS1304-101440BF0

Acacia Evolution

Acacia E In-Wall Vessel Mixer_Matt Black



FFAS1304-101440BF0

Acacia Evolution

Acacia E In-Wall Vessel Mixer_Matt Black

Product	Description	Concealed Vessel Mixer Faucet
	Weight (kg)	2.8
	Finish	Powder Coating
	Flow Rate	4.6
	Mounting Location	Wall Mount
Material & Color	Material	Brass
	Color	Black
Faucet	Type	Mixer
	No. of Holes Required	2
Connection	Size (mm)	21
	Size (inches)	G1/2
Handle	Material	Zinc Die Cast
	Type	Lever
	No. of Handles	1
Components	Drain Included	Yes
	Included	Pop-up waste
	Excluded	N/A
Spout	Hose Thread in Spout	No
	Dimensions (mm)	Spout Reach 191-201
	Type	Ceramic
Valve	Type	Integrated