

FFAS1302-101GLOBT0

Acacia Evolution

Acacia E SH SL vessel mixer

STYLE SEGMENT

- Modern

KEY SPECIFICATIONS

- Product Description: Single-Hole Extend Vessel Mixer Faucet
- Colour: Cool Sunrise
- Faucet Type: Mixer
- No. of Faucet Holes Required: 1
- Flow Rate: 5.2
- Is Drain Included: Yes
- Connection Size (inches): G1/2

SHIPPING WEIGHT

- Net Weight: Contact us for more information
- Gross Weight: Contact us for more information

KEY TECHNOLOGIES AND FEATURES

HYGIENE

- Complies with American Standard Quality Standards

COMFORT

- Comfort Angle

CONVENIENCE

- Complies with American Standard Quality Standards

DURABILITY

- Durashine

SUSTAINABILITY

- Water-Saving
- EcoStart
- ClickMove

SAFETY

- Complies with American Standard Quality Standards

OTHERS

- NIL

STANDARDS AND CERTIFICATIONS

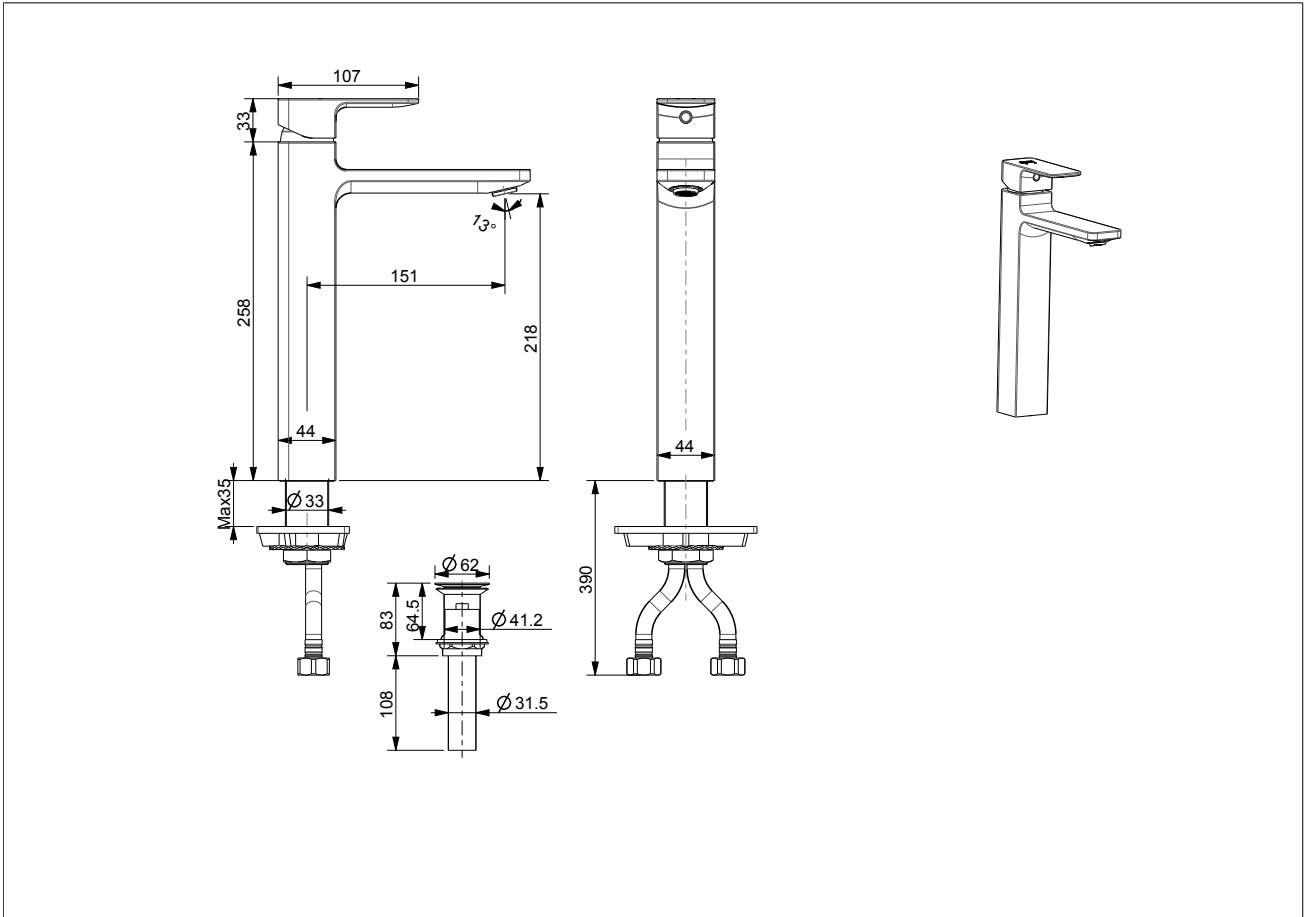
- GB 18145-2014



FFAS1302-101GLOBT0

Acacia Evolution

Acacia E SH SL vessel mixer



FFAS1302-101GLOBTO

Acacia Evolution

Acacia E SH SL vessel mixer

Product	Description	Single-Hole Extend Vessel Mixer Faucet
	Weight (kg)	3.4
	Finish	PVD
	Flow Rate	5.2
	Mounting Location	Deck Mount
Material & Color	Material	Brass
	Color	Cool Sunrise
Faucet	Type	Mixer
	No. of Holes Required	1
Connection	Size (mm)	21
	Size (inches)	G1/2
Handle	Material	Zinc Die Cast
	Type	Lever
	No. of Handles	1
Components	Drain Included	Yes
	Included	Click Drain
	Excluded	N/A
Spout	Hose Thread in Spout	Yes
	Dimensions (mm)	Spout Reach 151 Spout Height 218
	Type	Ceramic
Valve	Type	Standard