

FFAS1321-608GLOBFO

Acacia Evolution

Acacia E Concealed BnS Main Mixing Valve

STYLE SEGMENT

- Modern

KEY SPECIFICATIONS

- Product Description: Concealed Bath & Shower Mixer
- Bathroom Faucet Type: Concealed Bath & Shower
- Colour: Champagne
- Hand Shower Included: No
- Flow Rate: Shower outlet:13.9L/min, spout outlet:13.3L/min



SHIPPING WEIGHT

- Net Weight: Contact us for more information
- Gross Weight: Contact us for more information

KEY TECHNOLOGIES AND FEATURES

HYGIENE

- Complies with American Standard Quality Standards

COMFORT

- Complies with American Standard Quality Standards

CONVENIENCE

- Complies with American Standard Quality Standards

DURABILITY

- Complies with American Standard Quality Standards

SUSTAINABILITY

- Complies with American Standard Quality Standards

SAFETY

- Complies with American Standard Quality Standards

OTHERS

- NIL

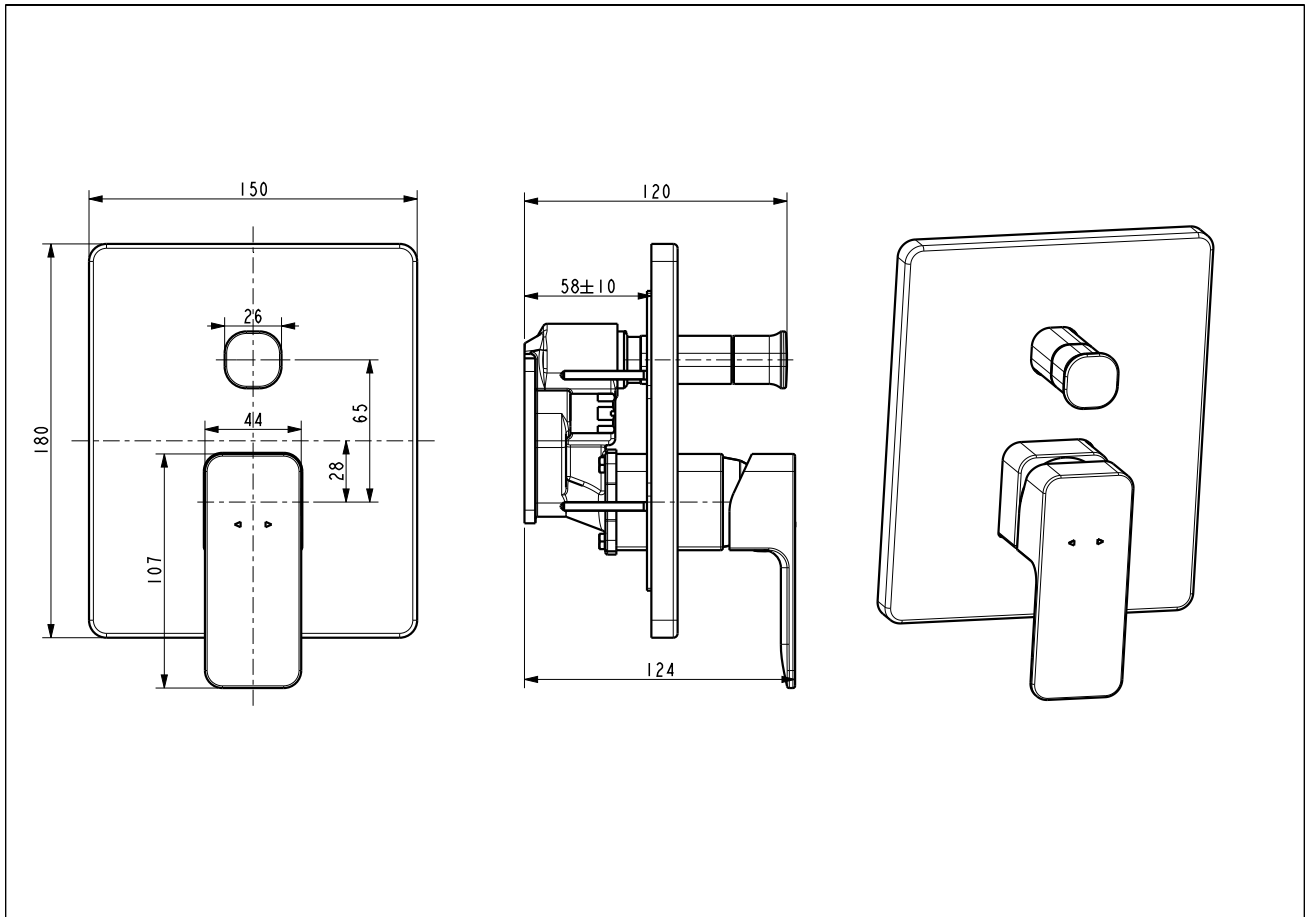
STANDARDS AND CERTIFICATIONS

- GB 18145-2014

FFAS1321-608GLOBFO

Acacia Evolution

Acacia E Concealed BnS Main Mixing Valve



FFAS1321-608GLOBFO

Acacia Evolution

Acacia E Concealed BnS Main Mixing Valve

Product	Description	Concealed Bath & Shower Mixer
	Weight (kg)	2.4
	Dimensions (mm)	180 x150 x124
	Finish	PVD
	Flow Rate	Shower outlet:13.9L/min, spout outlet:13.3L/min
	Mounting Location	Wall Mount
Material & Color	Material	Brass
	Color	Champagne
Bathroom Faucet	Type	Concealed Bath & Shower
Faucet	Type	Mixer
Connection	Size (mm)	N/A
	Size (inches)	N/A
Handle	Material	Zinc Die Cast
	Type	Lever
	No. of Handles	1

FFAS1321-608GLOBFO

Acacia Evolution

Acacia E Concealed BnS Main Mixing Valve

Components	Hand Shower Included	No
	Included	N/A
	Excluded	Shower Kits
Installation	Number of Holes Required	1
Valve	Type	Ceramic