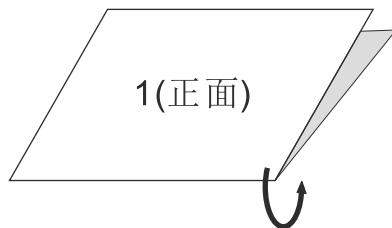


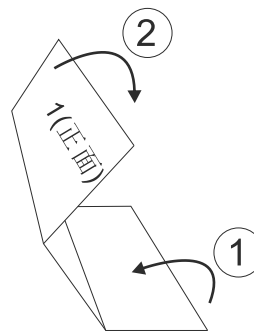
Tolerance, Unless Otherwise Stated. Is	
Above 0.5 to and including 6	±0.1
Excess 6 to and including 30	±0.2
Excess 30 to and including 120	±0.3
Excess 120 to and including 315	±0.5
Excess 315 to and including 1000	±0.8
Excess 1000 to and including 2000	±1.2



1. 说明书双面印刷完成
(420x297=A3) 共1页



2. 说明书折叠-1



3. 说明书折叠-2



4. 说明书折叠完成

制作说明：

1. 说明书完成的尺寸：210*100
2. 材料：80克的白色纸
3. 印刷说明：说明书为420x297(A3) 双面印刷，并折叠成210x100大小完成(详看图示)
4. 印刷颜色：黑白
5. 印刷时，内容准确，清晰，墨色均匀，表面清洁。

DESIGN	黄卓桓	2022.11.18	TITLE	Instructions
CHECKED	刘卫群	2022.11.18	REF	英文说明书(PVD) FFAS1300-601XXXBF0 FFAS1300-601XXXBT0
APPROVED	李军志	2022.11.18		
SCALE	MATERIAL	WEIGHT	DWG NO.	American Standard
REV	DESCRIPTION	DATE	NAME	

Test / Usage

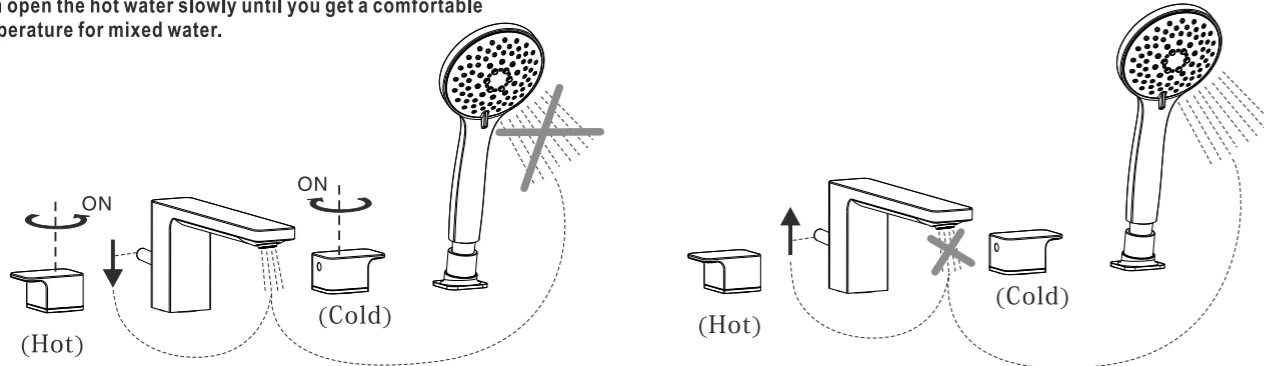
1 Test

- * Move handle down into "OFF" position. Turn on supply angle valve to check all connections for leak.
- * Operate handle up and down, left and right to flush water lines thoroughly.

2 Usage

Warning:

When you use the faucet, please open the cold water first, then open the hot water slowly until you get a comfortable temperature for mixed water.

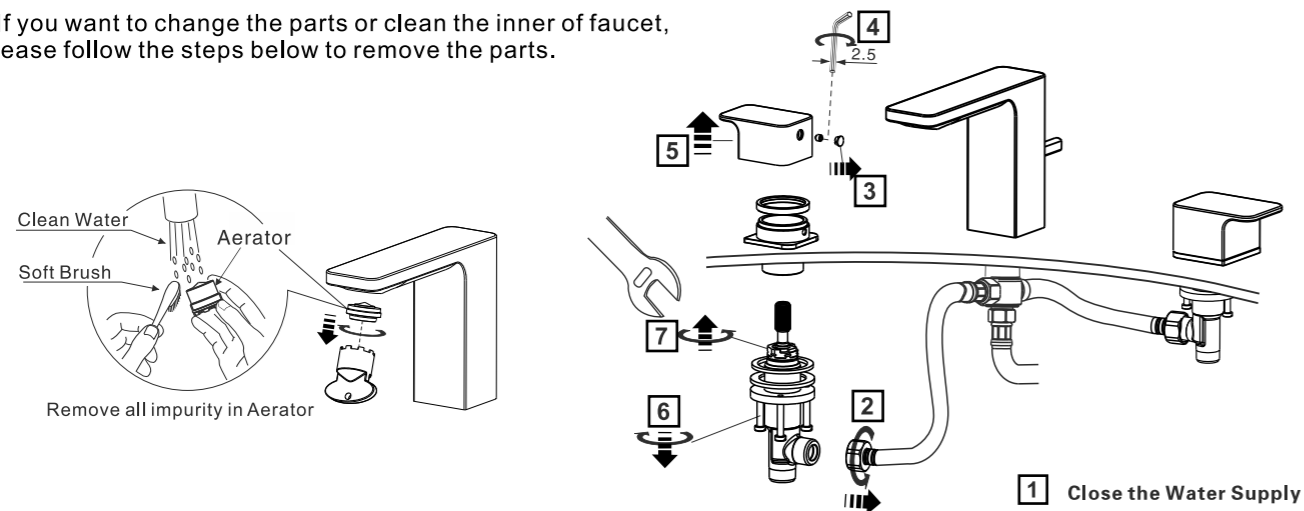


Trouble Shooting Guide

Trouble	Checkpoint	Contents	Action
Poor flow rate	Aerator	Check any impurities.	Remove all impurities.
	Angle valve	Check valve position.	Open it to full valve
	Flexible hose	Check if hose is twisted.	Untwist the hose.
Leakage	Cartridge packing	Check cartridge install.	When packing is damaged, replace the cartridge.
	Hose junction	Check the connection.	Check the existence of packing and wind it up sufficiently
Deviant Temperature	Supply valve	Check if the water from supply valve is enough or not	Increase water supply
	Supply system	Check if the supply pipe connected correct or not	Connect the hot and cold water pipe correctly

Care & Maintenance

* If you want to change the parts or clean the inner of faucet, please follow the steps below to remove the parts.

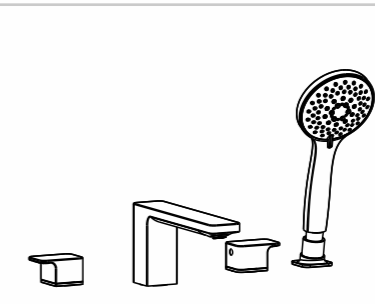


Attention:
Please leave the manual with the customer after installation is finished.

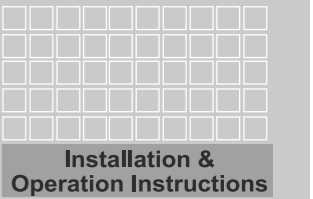
Acacia E

FFAS1300-601XXXBF0
FFAS1300-601XXXBT0
Deck Mount Bath and Shower Faucet for Bathtub

XXX = AL0 / A00 / DA0 / GL0 / 440 / 500



American Standard



Installation & Operation Instructions

Thank you for selecting American-Standard - the benchmark of fine quality for over 100 years. To ensure that your installation proceeds smoothly--please read these instructions carefully before you begin.

* American Standard always keep raising and improving the product design and performance, and reserve the right to modify the dimension and specification. At this case, we will not inform you separately.

* This installation instruction sheet is for your reference only, the dimension and specification is subject to the actual products.

All instruction procedures must comply in strict accordance with applicable local plumbing and building codes

Pre-Installation Checks

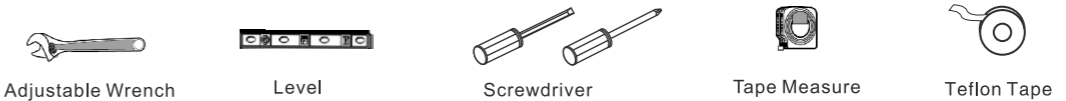
- * Remove all impurity in pipes before beginning to avoid clogging. Connect faucet pipes correctly. Make sure the cold water hose is connected to the right side and the hot water hose to the left.
- * Check installation distances in the Dimension diagram to ensure correct installation.

Conditions for use

- * Recommended water pressure condition: 0.1~0.5Mpa.
- * Environment Temperature: 1~55°C
- * Steam is not allowed to use.
- * The cold and hot water pipes must not be reserved.

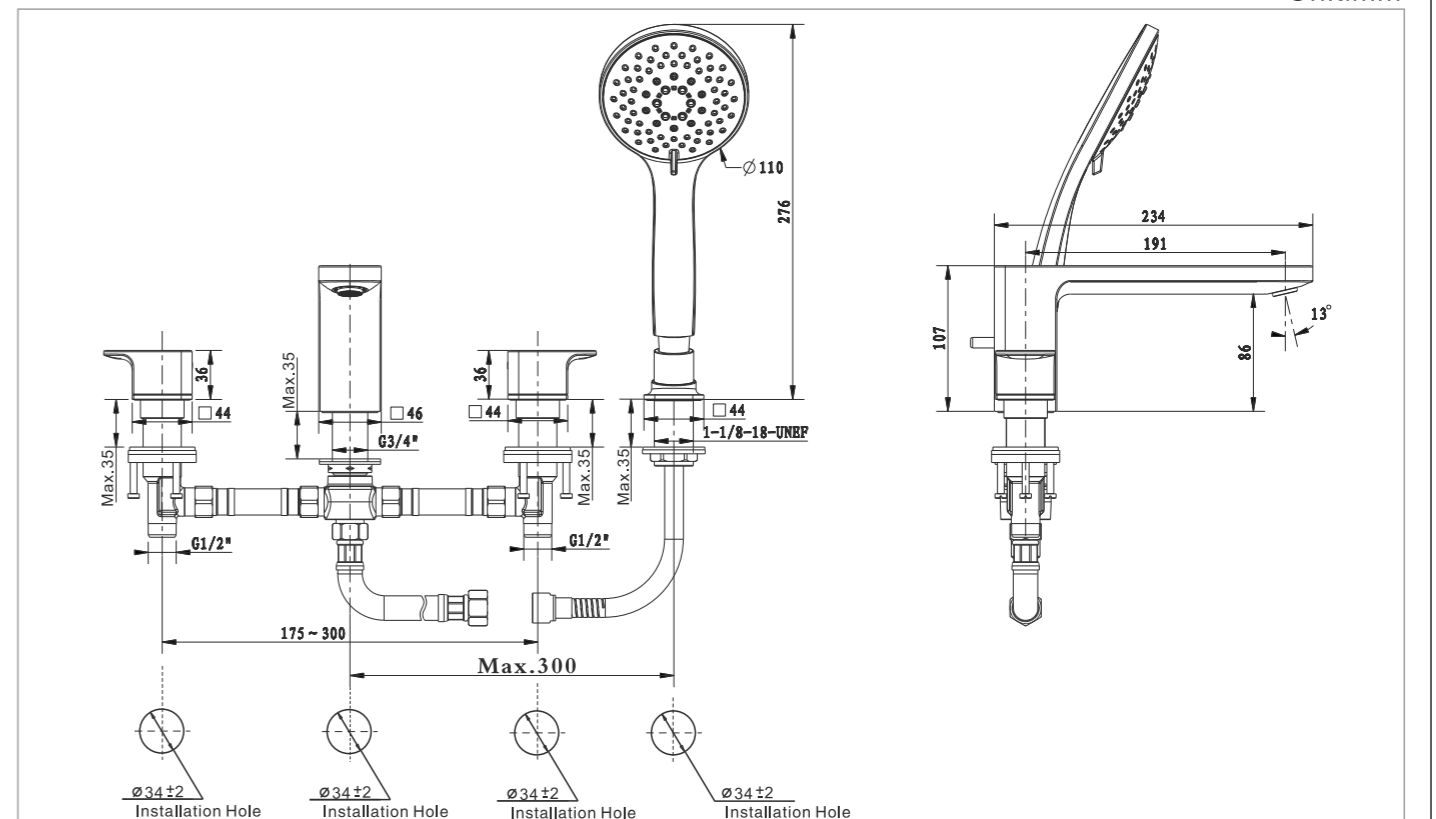
When in the process of installation, grab the whole body. Do not grab handle only.

Recommended Tools and Materials

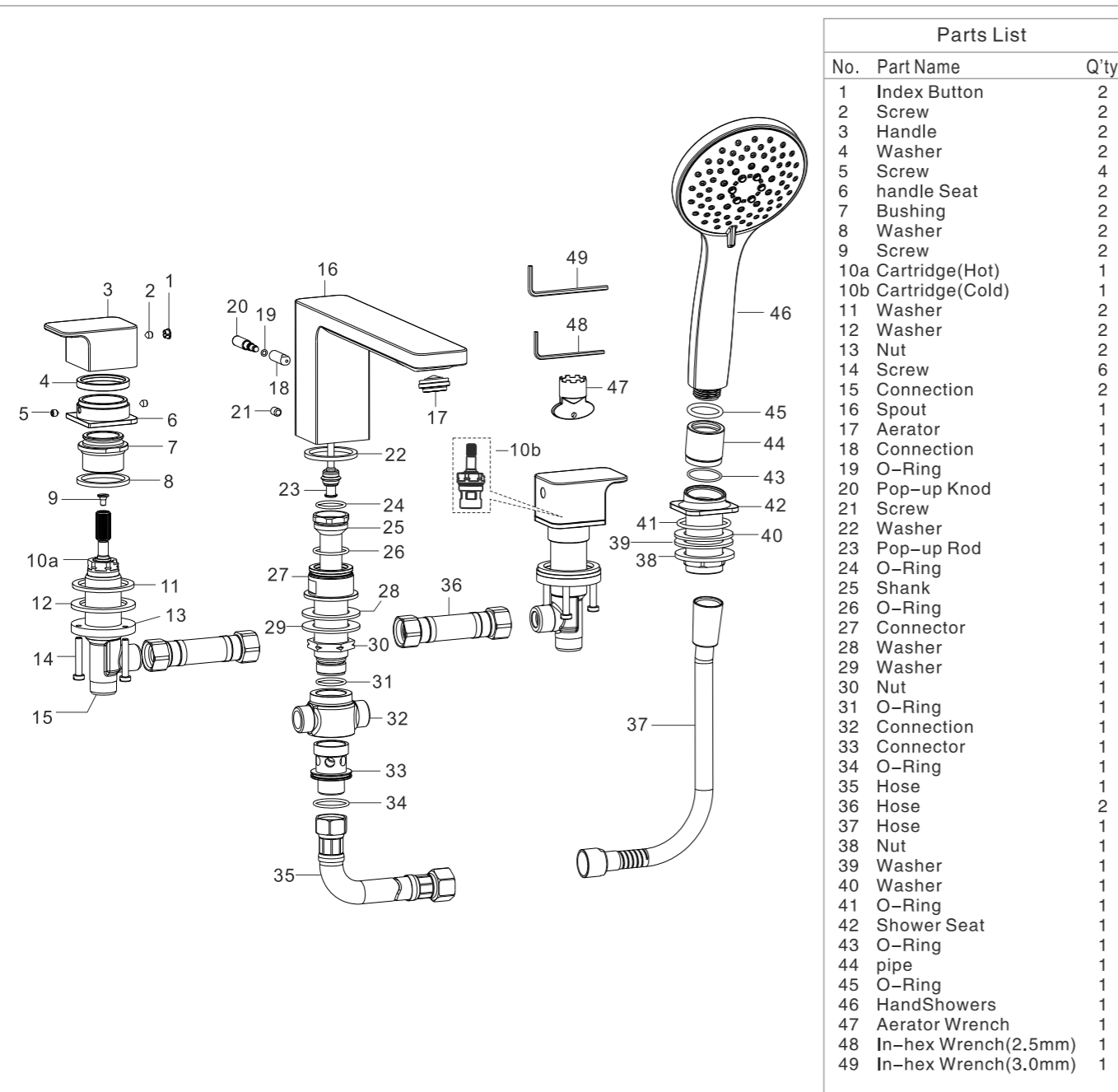


Dimension

Unit:mm



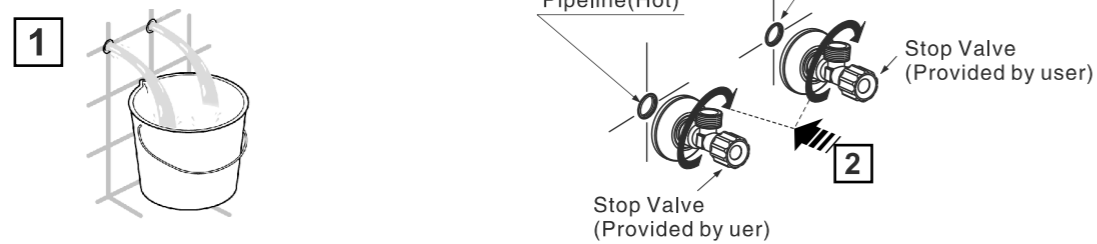
Parts List



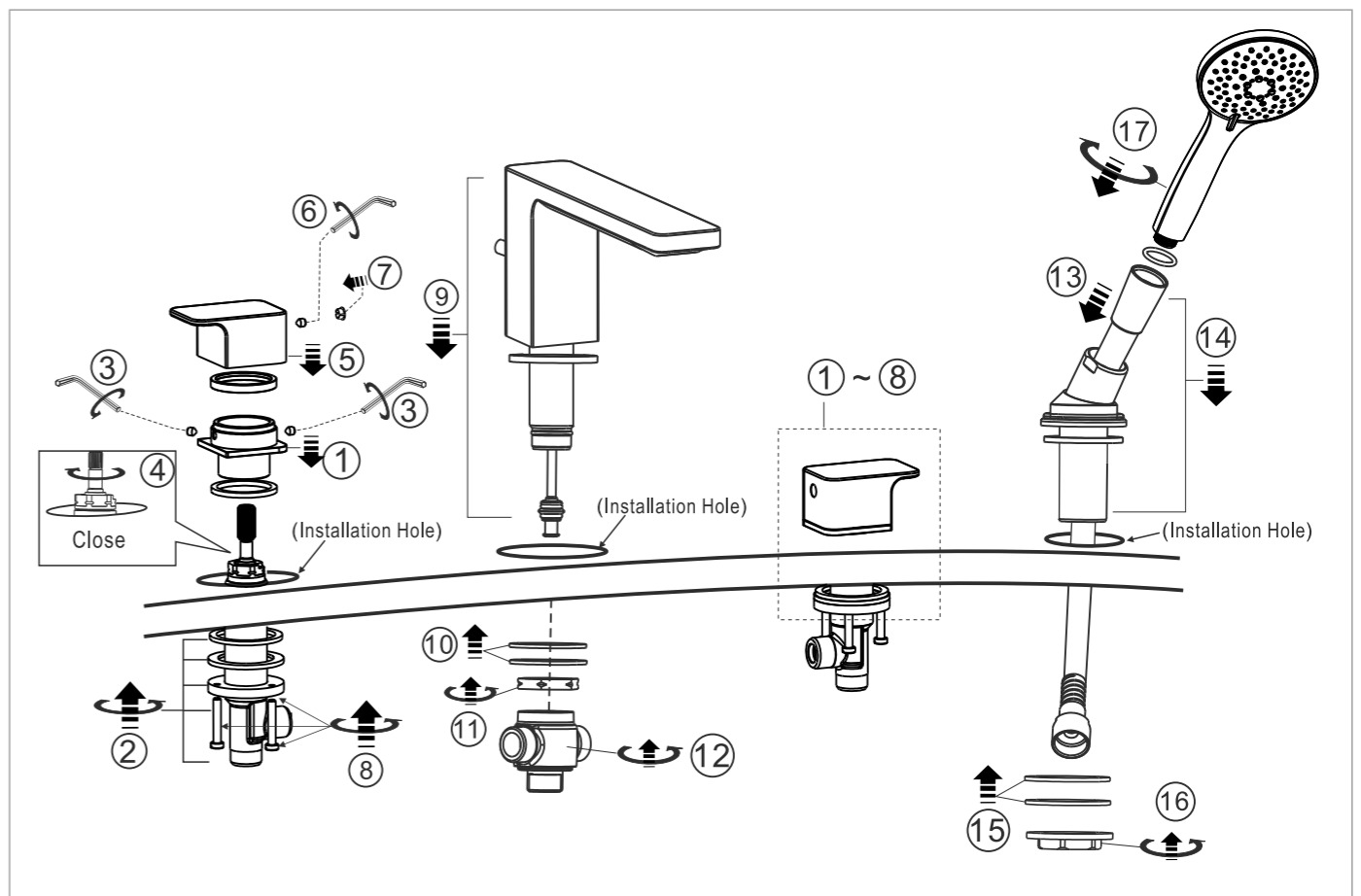
Installation

1 Preparation

- * Consult the dimension drawing and lay the pipes.
- * Wash and clean the water supply pipeline.



2 Installing the Handle & Spout & Shower Seat & HandShowers



3 Connecting the Pipeline

