

FFAS4956-601440BFO

Easysset

EasySET Exposed Auto Temperature Shower

STYLE SEGMENT

- Contemporary

KEY SPECIFICATIONS

- Product Description: EasySET Exposed Auto Temperature Shower
- Product Dimensions: 1288 x 542 x 312
- Exposed/Concealed Body: Exposed
- Finish: Powder Coating
- Flow Rate: Head shower: 6l/min @ 0.1Mpa
- Hand shower: 4.3l/min @ 0.1Mpa
- Spout: 11.5 l/min @ 0.1Mpa
- Water Pressure, Dynamic (MPa): 0.1-0.5
- Water Pressure, Static (MPa): 0.1-0.5
- Max Water Temperature (°C): 49
- Excluded Components: N/A



SHIPPING WEIGHT

- Net Weight: Contact us for more information
- Gross Weight: Contact us for more information

KEY TECHNOLOGIES AND FEATURES

HYGIENE

- Complies with American Standard Quality Standards

COMFORT

- Thermocomfort

CONVENIENCE

- Push & Turn
- SpaceCreate
- EasySwivel

DURABILITY

- Durashine

SUSTAINABILITY

- Water-Saving

SAFETY

- Safety-Lock
- ThermoSafe
- CoolShield

OTHERS

- NIL

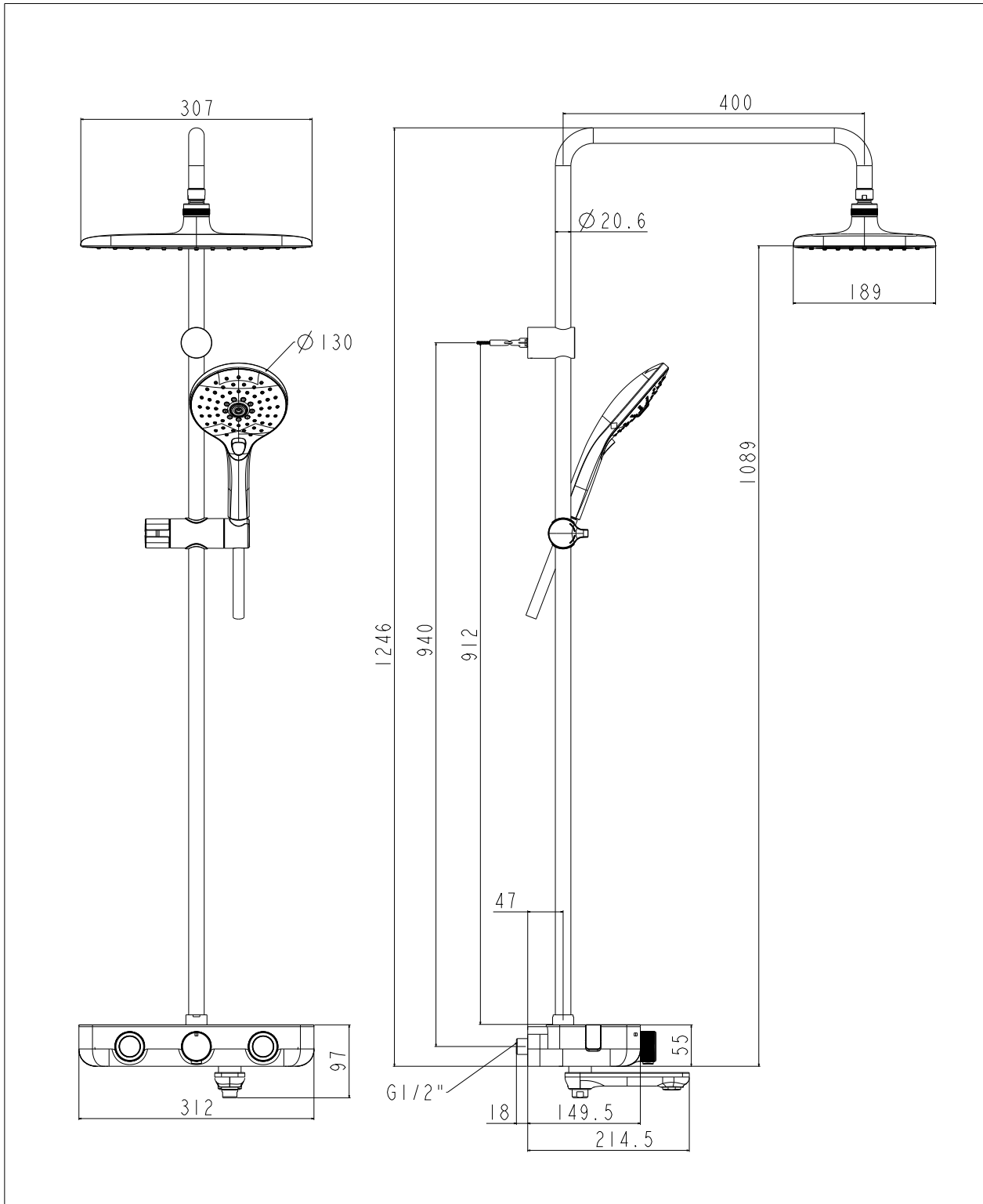
STANDARDS AND CERTIFICATIONS

- QB/T 2806-2017

FFAS4956-601440BFO

Easyset

EasySET Exposed Auto Temperature Shower



FFAS4956-601440BFO

Easyset

EasySET Exposed Auto Temperature Shower

Product	Description	EasySET Exposed Auto Temperature Shower
	Weight (kg)	7.14
	Dimensions (mm)	1288 x 542 x 312
	Finish	Powder Coating
	Flow Rate	Head shower: 6l/min @ 0.1Mpa Hand shower: 4.3l/min @ 0.1Mpa Spout: 11.5 l/min @ 0.1Mpa
	Material	Brass
Body	Exposed/Concealed	Exposed
Water Pressure	Dynamic (MPa)	0.1-0.5
	Static (MPa)	0.1-0.5
Max Water Temperature	Temperature (°C)	49
Components	Included	Head shower & hand shower
	Excluded	N/A