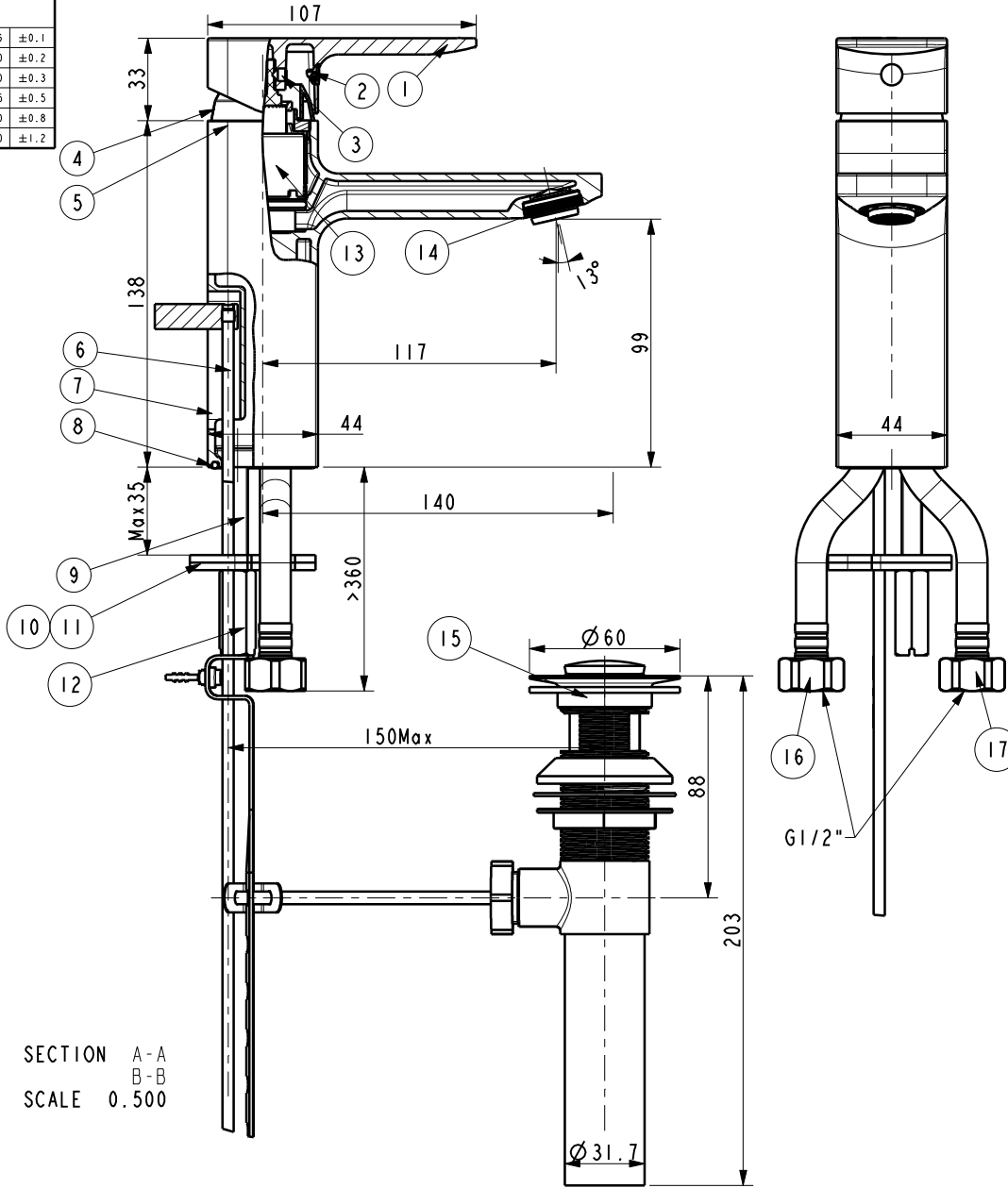
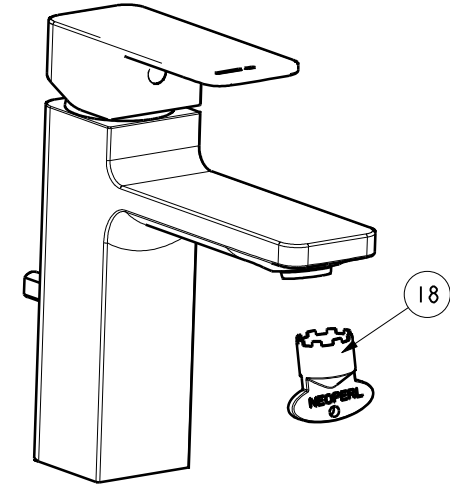


Tolerance, Unless Otherwise Stated, Is		
Above 0.5 to and including 6	±0.1	
Excess 6 to and including 30	±0.2	
Excess 30 to and including 120	±0.3	
Excess 120 to and including 315	±0.5	
Excess 315 to and including 1000	±0.8	
Excess 1000 to and including 2000	±1.2	



SECTION A-A  
B-B  
SCALE 0.500



18	FF1-CN521A00000097	M24X1 SLIM Aerator Key	1	PA66+GF30	
17	FF1-CN521T0004999P	The Flexible Pipe(PEX,blue,450mm)	1	Assembly	
16	FF1-CN521T0004899P	The Flexible Pipe(PEX,red,450mm)	1	Assembly	
15	FF1-CN521XAL004350	PA Brass Drain (Cr)	1	Assembly	
14	FF1-CN521A00000102	M24X1 SLIM Air SSR Aerator (2.2gpm)	1	Assembly	
13	FF1-CN521C00000057	35# ECO cartridge (KN-35 ECP)	1	Assembly	
12	FF1-CN521N00000073	Improve GNV Sgl Hole FT Lock Nut	1	Hpb59-1	
11	FF1-CN521F00000064	Improve GNV Sgl Fix Plate	1	SUS304	
10	FF1-CN521G00000092	Improve GNV Sgl Rubber Washer	1	NBR	
9	FF1-CN521Z00000438	MOUNTING STUD-SF1520,N	1	Hpb59-1	
8	FF1-CN521G00000159	O-Ring Ø37×Ø2.5	1	NBR	
7	FFZZ1301-101ALBDPL	Body for Acacia E SH Lava. Faucet	1	GkMs60Fk	
6	FF1-CN521XAL000011	Single Hole Pop-Up Assembling	1	Assembly	
5	FF1-CN521N00000091	Lock Nut for Minimalistic InWall Bath	1	Hpb59-1	
4	FF1-CN521F000040ALP	Cartridge Cover	1	ABS	
3	FF1-CN521N00000228	M5×6 Screw	1	SUS304	
2	FF1-CN521ZAL004950	Plug for handle (Chrome)	1	ABS	
1	FF1-CN521LAL000191	Handle for Acacia E SH Basin	1	ZZnA14-1	
NO.	PART NO.	PART NAME	QTY	MATERIAL	FINISH

DESIGNED	利华沃	20221221	TITLE	
CHECKED	<i>[Signature]</i>	2022.12.21	REF	
APPROVED	<i>[Signature]</i>	2022.12.21	Acacia E SH SL basin mixer_Brushed Hard Graphite	
SCALE	MATERIAL	WEIGHT	DWG NO.	<i>American Standard</i>
1:2	Assembly		FFAS1301-101AL0BFO	

REV	DESCRIPTION	DATE	NAME