

FFASTS28-000440BT0

American Standard

DuoSTiX

DuoSTiX Hygiene Spray (Chrome & Matte Black)

Hygiene Spray

STYLE SEGMENT

- Modern

KEY SPECIFICATIONS

- Product Description: DuoSTiX Hygiene Spray (Chrome & Matte Black)
- Finish: Chrome
- Material: Plastic
- Flow Rate: 5 litre per minute
- Additional Components Included: Wall holder
- Hose Included: Yes



KEY TECHNOLOGIES AND FEATURES

HYGIENE

- Complies with American Standard Quality Standards

COMFORT

- Complies with American Standard Quality Standards

CONVENIENCE

- EasyClean

DURABILITY

- Complies with American Standard Quality Standards

SUSTAINABILITY

- Complies with American Standard Quality Standards

SAFETY

- Complies with American Standard Quality Standards

OTHERS

- NIL

STANDARDS AND CERTIFICATIONS

- TIS 1497-2005



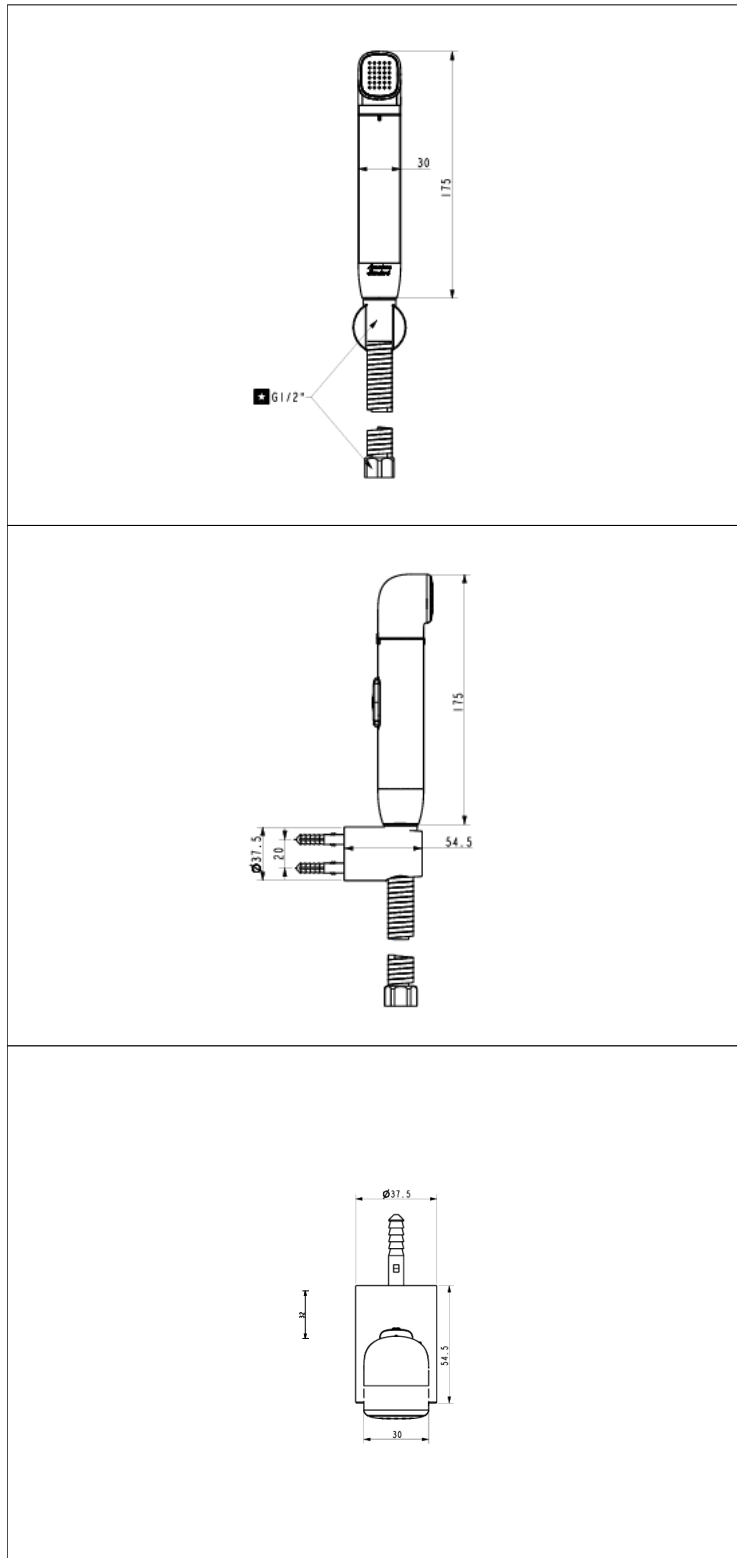
FFASTS28-000440BT0

American Standard

DuoSTiX

DuoSTiX Hygiene Spray (Chrome & Matte Black)

Hygiene Spray



FFASTS28-000440BT0

American Standard

DuoSTiX

DuoSTiX Hygiene Spray (Chrome & Matte Black)

Hygiene Spray

Product	Description	DuoSTiX Hygiene Spray (Chrome & Matte Black)
	Weight (kg)	0.45 kg
	Dimensions (mm)	30*32*175 mm
	Finish	Chrome
	Material	Plastic
	Flow Rate	5 litre per minute
Components	Additional Components Included	Wall holder
	Hose Included	Yes

