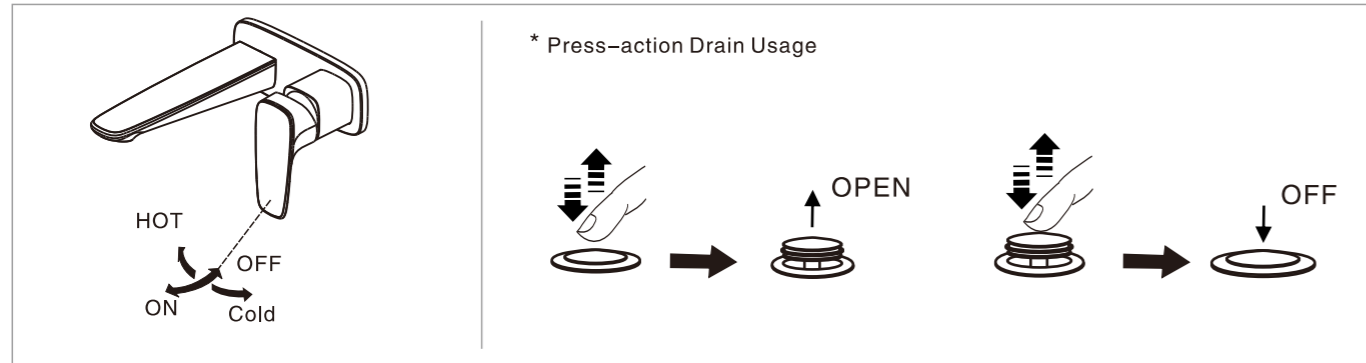


Test / Usage

1 Test

- * Push lever down to 'OFF' position. Open water supply valve to check all connections for leakage(s).
- * Lift lever up to 'ON' position. Check that water is flowing from spout.

2 Usage



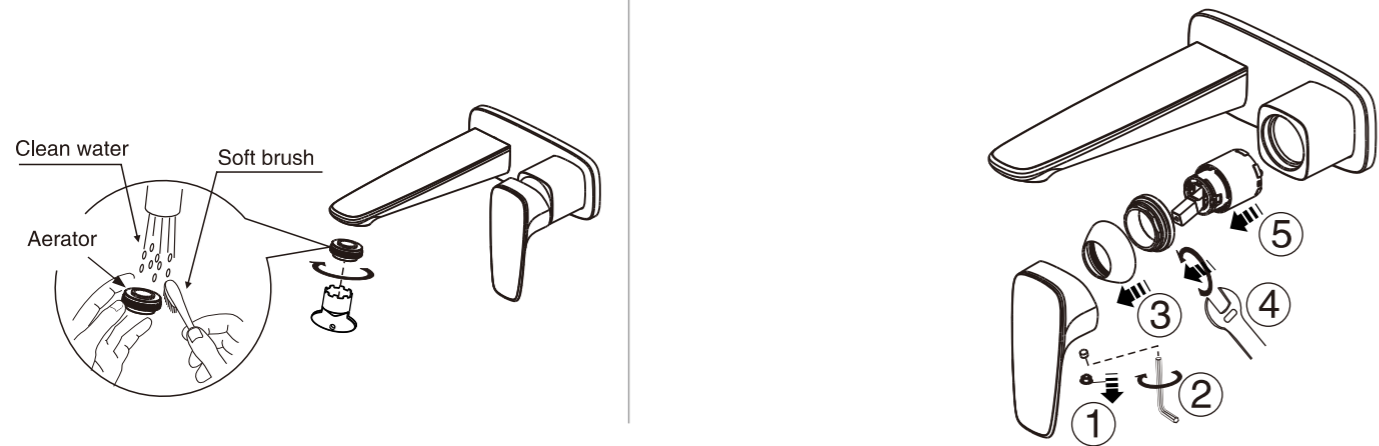
Trouble Shooting Guide

Issue	Component	Checkpoint	Corrective Action
Poor flow rate	Aerator	Check if aerator is clogged	Remove all impurities
	Water supply valve	Check lever position	Lift lever to maximise water volume
	Hose	Check if hose is twisted	Untwist the hose
Leakage	Cartridge	Check if cartridge is loosened	Fasten or replace cartridge
	Connection joints	Check the connection	Reassemble connecting part
Abnormal Temperature	Water supply valve	Check lever position	Lift lever to maximise water volume
	Water supply pipeline	Check if supply pipes have been correctly connected	Connect the hot and cold water pipe correctly

Care & Maintenance

* Clogged aerator due to poor water quality can lead to reduced water flow. Follow steps below to clean aerator to ensure optimal performance.

* Clogged cartridges due to poor water quality can affect product performance.
 * Follow steps below to maintain optimal product performance.
 * Note: please turn off water supply before maintenance process.

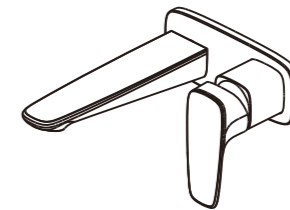


Attention:
Please leave manual with customer post installation.

Signature

FFAS1704-101XXXBT0
In-wall Basin Mixer

XXX=AL0 / A00 / DA0 / GL0 / 440



American Standard

Installation & Operation Instructions

Thank you for selecting American Standard the benchmark of fine quality for over 100 years. To ensure that your installation proceeds smoothly, please read these instructions carefully before you begin.

- * American Standard continually improves our product design and performance and reserves the right to modify the dimension and specification of our product accordingly without any prior notification.
- * Actual dimensions and specifications may vary, refer to physical product for exact dimensions and specification.

Pre-Installation Checks

- * Remove all impurities from pipes before installation to avoid clogging. Connect faucet pipes correctly. Ensure that the cold water hose is connected to the right side and the hot water hose to the left.
- * Check installation distances shown in the dimension diagram to ensure correct installation.
- * Warning: Avoid lifting/ holding product lever only during installation. Instead, hold product spout/ main body.

Conditions for use

- * Water pressure condition: 0.05~0.75MPa (Recommended water pressure condition: 0.1~0.5MPa)
- * Ambient temperature: 1~55°C
- * Water temperature: 4°C ~ 90°C (Recommended hot water temperature 50~60°C)
- * Steam should not be used with product.
- * Note: Ensure water source is clean. Poor water quality can cause cartridge and internal components to clog, resulting in poor volume control and/ or product failure.

Recommended Tools and Materials



Adjustable Wrench



Screwdriver



Tape Measure



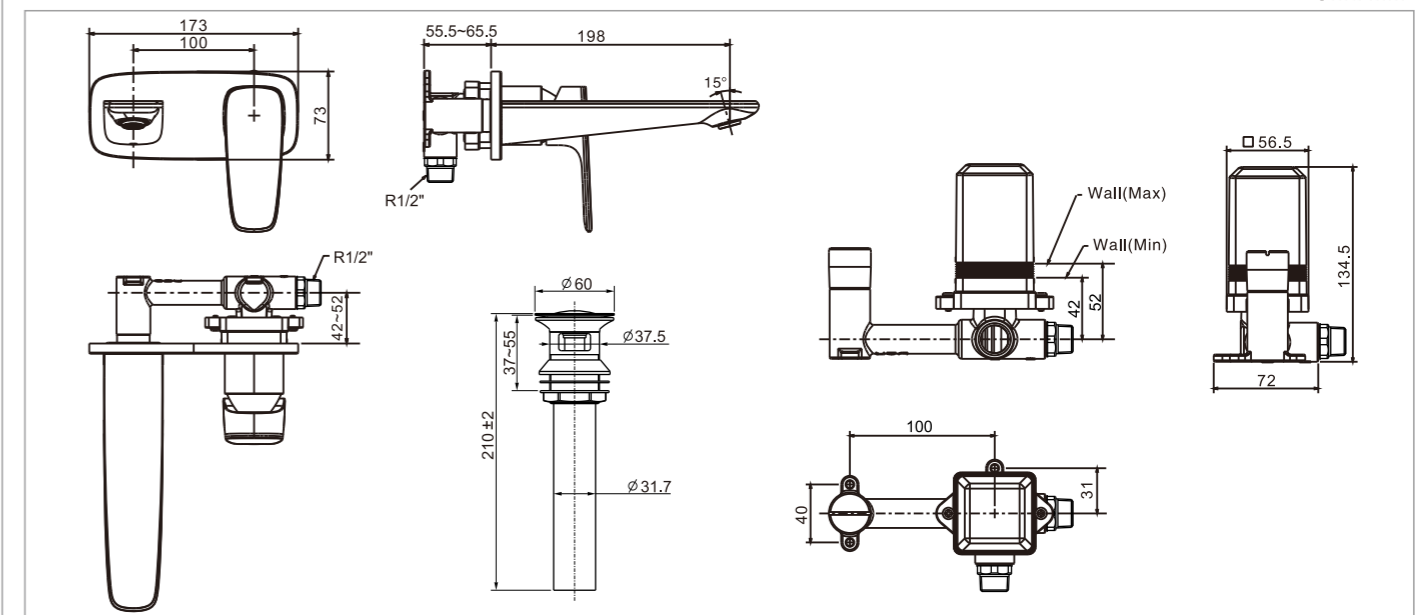
Pipe Wrench



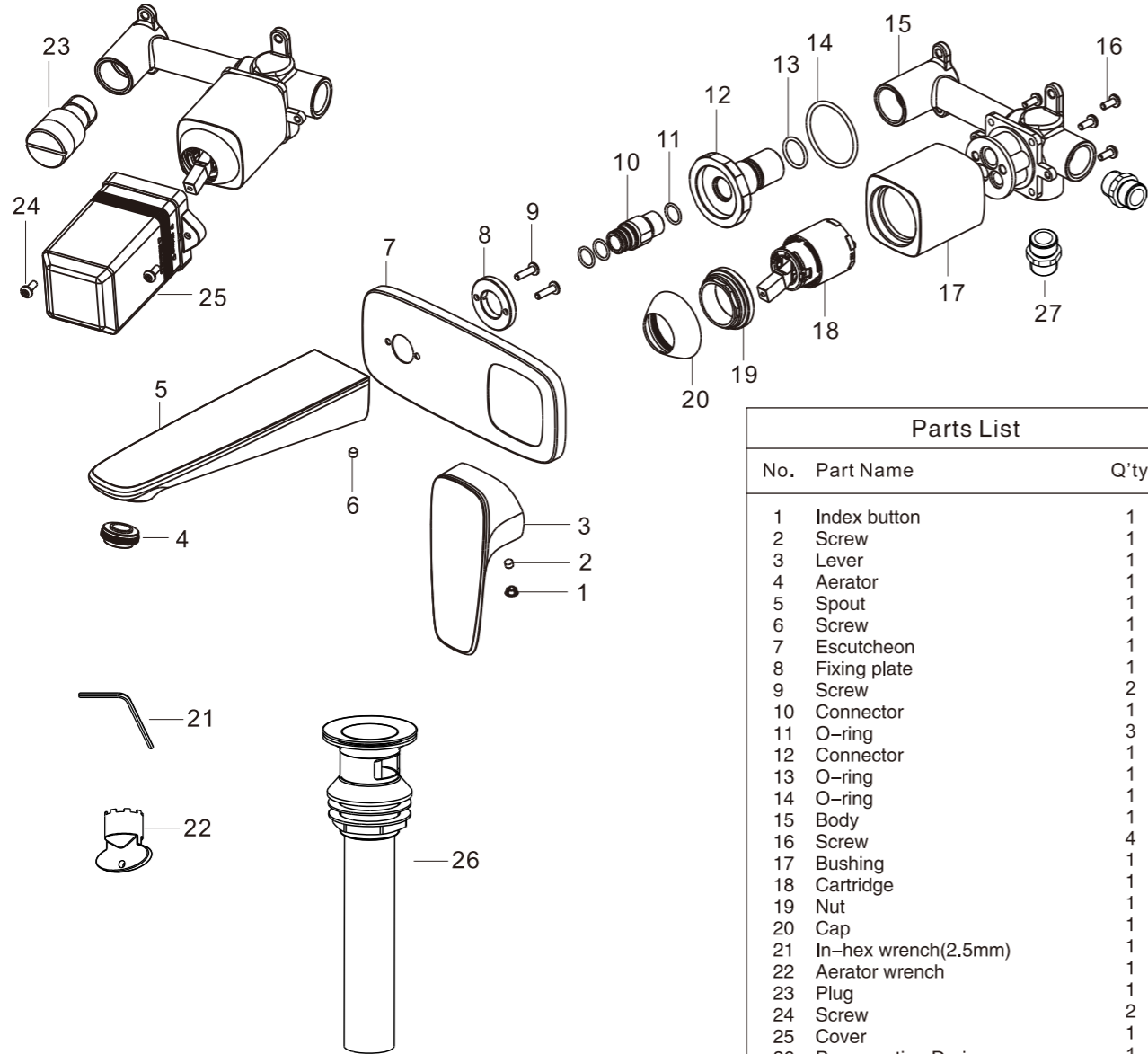
Teflon Tape

Dimension

Unit: mm



Parts List

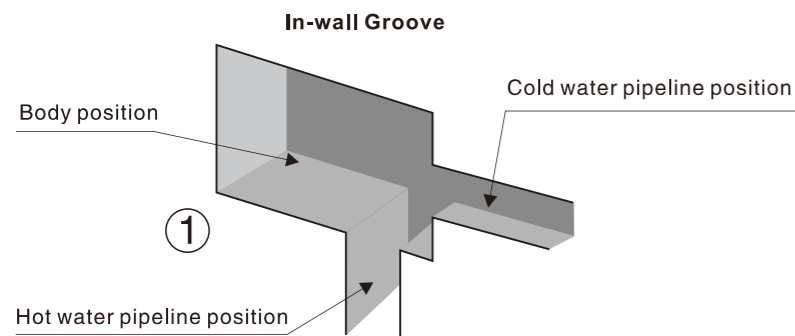


Parts List

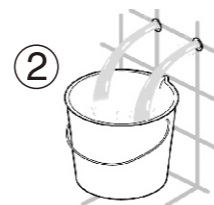
No.	Part Name	Q'ty
1	Index button	1
2	Screw	1
3	Lever	1
4	Aerator	1
5	Spout	1
6	Screw	1
7	Escutcheon	1
8	Fixing plate	1
9	Screw	2
10	Connector	1
11	O-ring	3
12	Connector	1
13	O-ring	1
14	O-ring	1
15	Body	1
16	Screw	4
17	Bushing	1
18	Cartridge	1
19	Nut	1
20	Cap	1
21	In-hex wrench(2.5mm)	1
22	Aerator wrench	1
23	Plug	1
24	Screw	2
25	Cover	1
26	Press-action Drain	1
27	Connector	2

Installation

1 Preparation



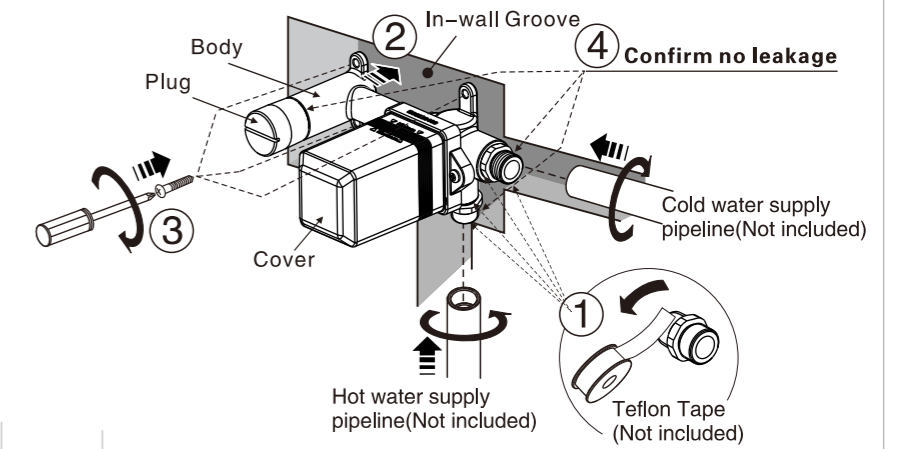
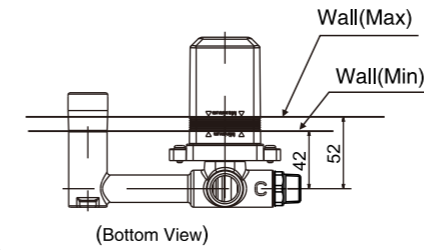
* Lay cold & hot supply pipes based on dimension drawing.



* Before installation, the laying of pipeline is rinsed clean.

2 Body Installation

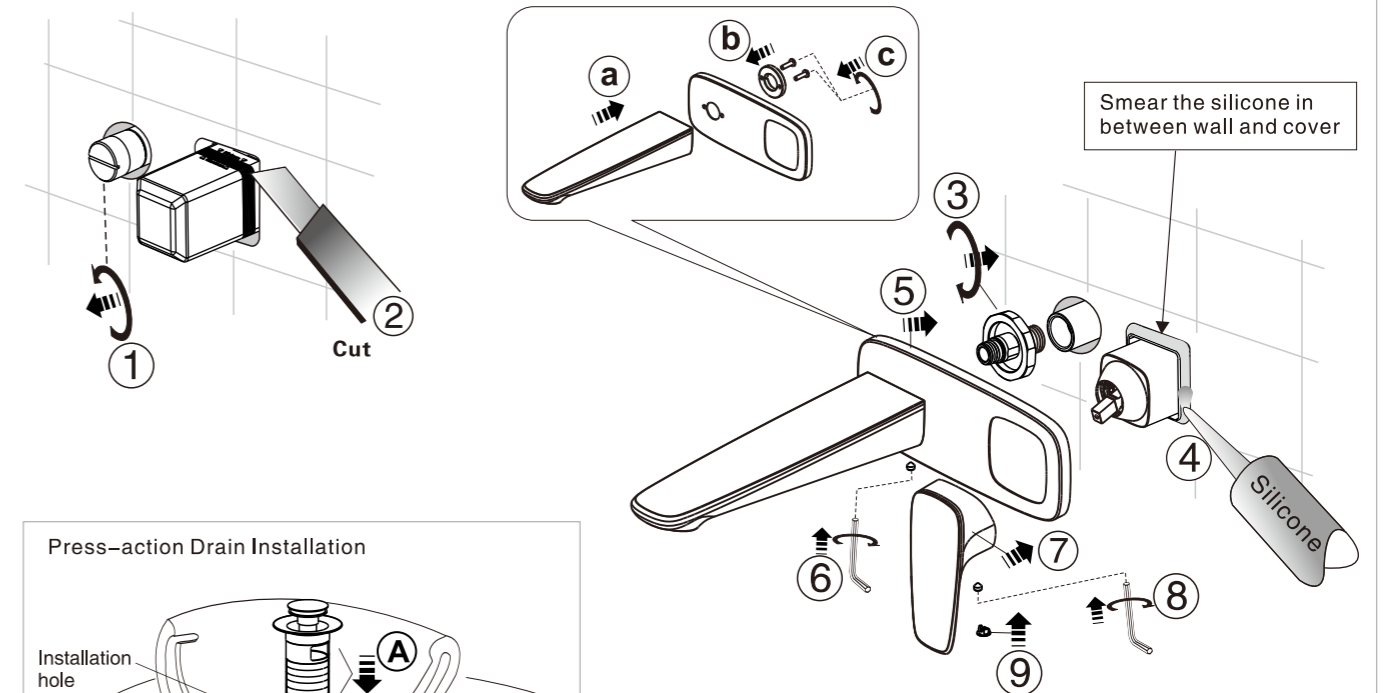
* Finishing wall should be between the minimum and the maximum.



Tiler to cut hole size $\varnothing 30\text{-}35\text{mm}$

Tiler to cut hole size $\square 55\text{-}57\text{mm}$

3 Spout & Lever & Press-action Drain Installation



Press-action Drain Installation

