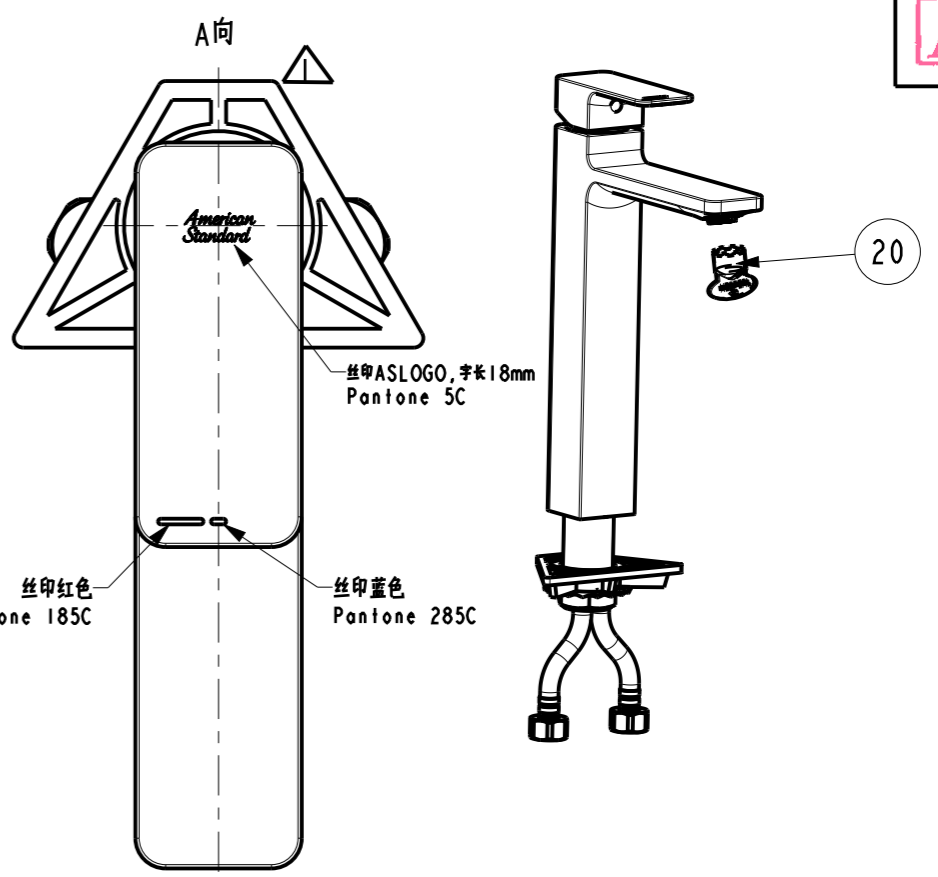
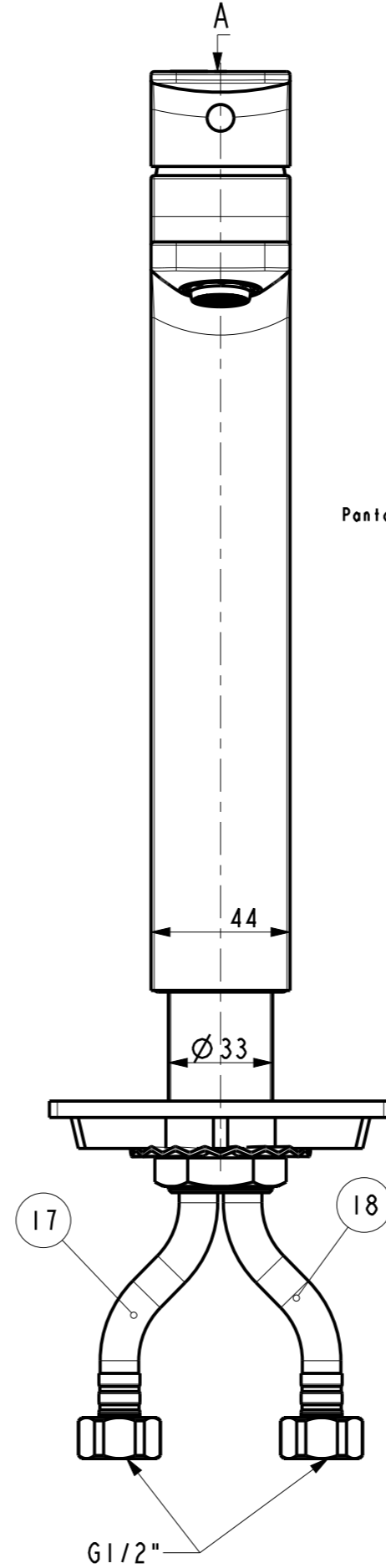
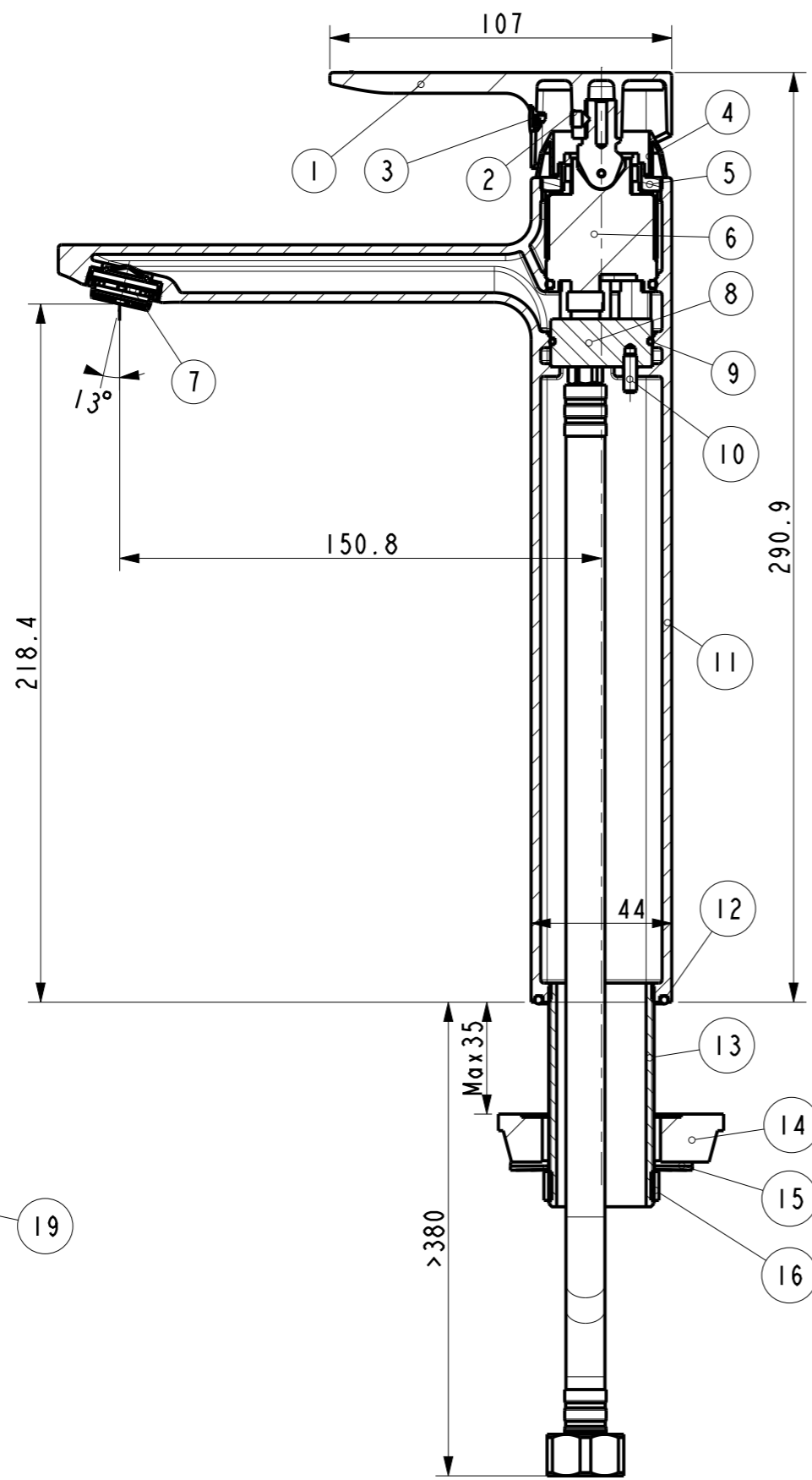


Tolerance, Unless Otherwise Stated, Is			
Above 0.5 to and including 6	±0.1	6	±0.1
Excess 6 to and including 30	±0.2	30	±0.2
Excess 30 to and including 120	±0.3	120	±0.3
Excess 120 to and including 315	±0.5	315	±0.5
Excess 315 to and including 1000	±0.8	1000	±0.8
Excess 1000 to and including 2000	±1.2	2000	±1.2



NO.	PART NO.	PART NAME	QTY	MATERIAL	FINISH
20	FF1-CN521A00000097	1582364399\M24X1 SLIM 起泡器扳手	1	PA66-GF30	
19	FF1-CN521X0019744B	PA型全铜手压排杆(带溢水口) 哑光黑	1	Assembly	
18	FF1-CN521T0005199P	单孔进水软管(PEX, 蓝, 600mm)	1	Assembly	
17	FF1-CN521T0005099P	单孔进水软管(PEX, 红, 600mm)	1	Assembly	
16	FF1-CN521N00000296	1590664399\螺母 M33*1.5 N=9 完成品	1	Hpb59-1	
15	FF1-CN521J00000500	158K614013\垫圈	1	SUS 304	
14	FF1-CN521Z00000062	迈阿密高脚面盆水嘴紧固板	1	POM	
13	FF1-CN521J00000271	1581940099\紧固牙管(M33*1.5)	1	Hpb59-1	
12	FF1-CN521G00000159	1581220699\O型环37*2.5	1	NBR	亚光黑
11	FFZ21302-10144BDPL	A41单孔碗盆龙头本体_哑光黑	1	GkMs60Fk	亚光黑
10	FF1-CN521N00000176	1581838199\纸巾架螺栓 M4*15	1	SUS 304	
9	FF1-CN521G00000247	158A912608\O型环 26.70*1.78	1	NBR	
8	FF1-CN521J00000056	1580322799\A32高脚单孔阀芯底座-除铅	1	Hpb59-1	
7	FF1-CN521A00000102	M24X1 SLIM Air 可调角度起泡器 (2.2gpm)	1	Assembly	
6	FF1-CN521C00000057	1585915199\35#ECO高脚阀芯(KN-35 ECP)	1	Assembly	
5	FF1-CN521N00000091	迈阿密入墙式浴缸水嘴锁紧螺母	1	Hpb59-1	
4	FF1-CN521F0004044P	阿卡西亚单孔顶盖(改进型)_哑光黑	1	ABS	亚光黑
3	FF1-CN521Z44004950	把手孔塞_哑光黑	1	ABS	亚光黑
2	FF1-CN521N00000228	希丽亚台面浴缸内六方把手螺钉M5*6	1	SUS 304	
1	FF1-CN521L44000191	A41单孔把手_哑光黑	1	ZZnA14-1	亚光黑

DESIGNED	刘卫群	2022.10.12	TITLE
CHECKED	张光强	2022.10.12	REF
APPROVED	李军	2022.10.12	新阿卡西亚单孔碗盆龙头-亚黑色
SCALE	MATERIAL	WEIGHT	DWG NO.
2:1		[.0]	FFAS1302-101440BF0

REV	DESCRIPTION	DATE	NAME
	增加A向视图	2023.1.9	

