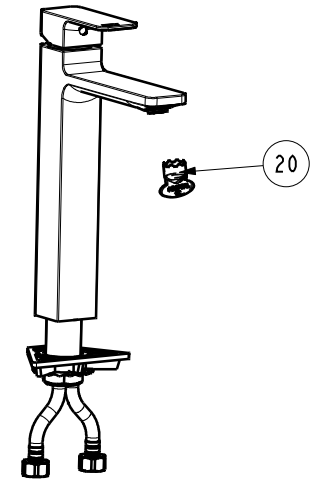
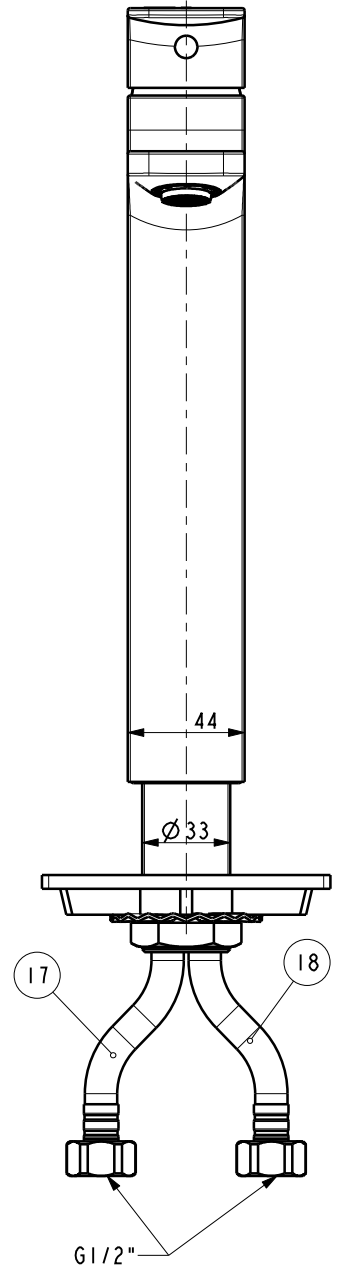
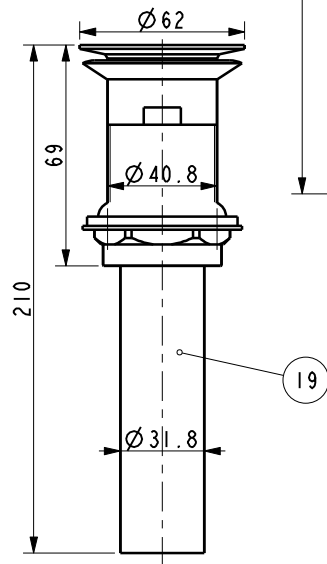
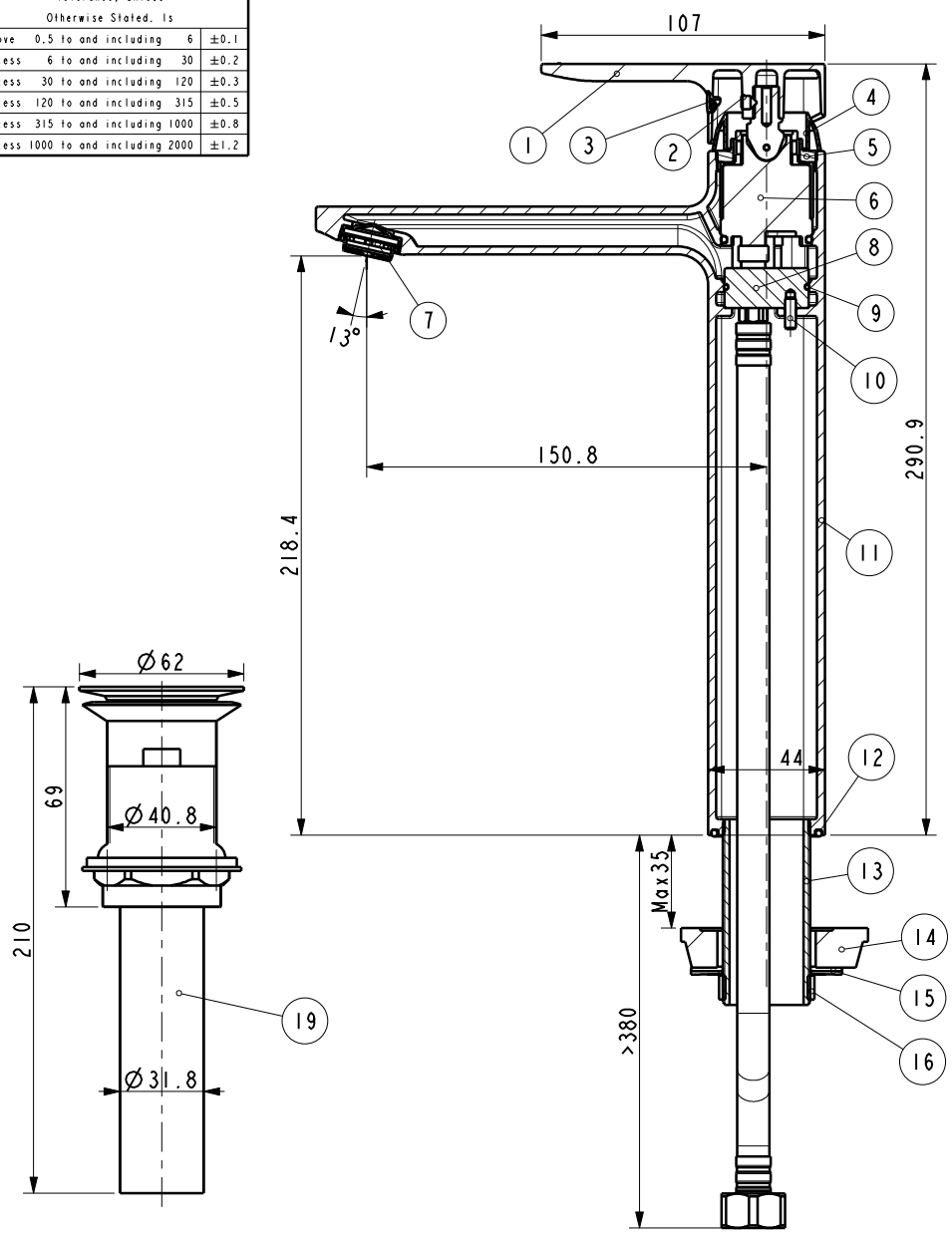


Tolerance, Unless Otherwise Stated, Is		
Above 0.5 to and including 6	±0.1	
Excess 6 to and including 30	±0.2	
Excess 30 to and including 120	±0.3	
Excess 120 to and including 315	±0.5	
Excess 315 to and including 1000	±0.8	
Excess 1000 to and including 2000	±1.2	



20	FF1-CN521A00000097	Aerator Key	1	PA66-GF30
19	FF1-CN521X00197GLB	Press-Action Pop-up	1	Assembly
18	FF1-CN521T00000019	Flexible Hose	1	Assembly
17	FF1-CN521T00000020	Flexible Hose	1	Assembly
16	FF1-CN521N00000296	Nut M33*1.5 n=9 N	1	Hpb59-1
15	FF1-CN521J00000500	Washer	1	SUS 304
14	FF1-CN521Z00000062	Plate	1	POM
13	FF1-CN521J00000271	Lock Teeth(M33*1.5)	1	Hpb59-1
12	FF1-CN521G00000159	O-Ring 37*2.5	1	NBR
11	FFZZ1302-101GLBDPL	Body	1	GkMs60Fk
10	FF1-CN521N00000176	Bolt M4*15	1	SUS 304
9	FF1-CN521G00000247	O-ring 26.70*1.78	1	NBR
8	FF1-CN521J00000056	Maifold	1	Hpb59-1
7	FF1-CN521A00000102	Aerator (2.2gpm)	1	Assembly
6	FF1-CN521C00000057	35#ECO Cartridge	1	Assembly
5	FF1-CN521N00000091	Lock Nut	1	Hpb59-1
4	FF1-CN521ZGL004950	Cartridge Cover	1	ABS
3	FF1-CN521FGL04050P	Plug	1	ABS
2	FF1-CN521N00000228	M5*6	1	SUS 304
1	FF1-CN521LGL000191	Handle	1	ZZnAl4-1
NO.	PART NO.	PART NAME	QTY	MATERIAL FINISH

DESIGNED	利华沃	20221221	TITLE	
CHECKED	<i>[Signature]</i>	2022.12.21	REF	Acacia E SH SL vessel mixer_Cool Sunrise
APPROVED	<i>[Signature]</i>	2022.12.21		
SCALE	MATERIAL	WEIGHT	DWG NO.	American Standard
1:2	Assembly		FFAS1302-101GLOBFO	

REV	DESCRIPTION	DATE	NAME