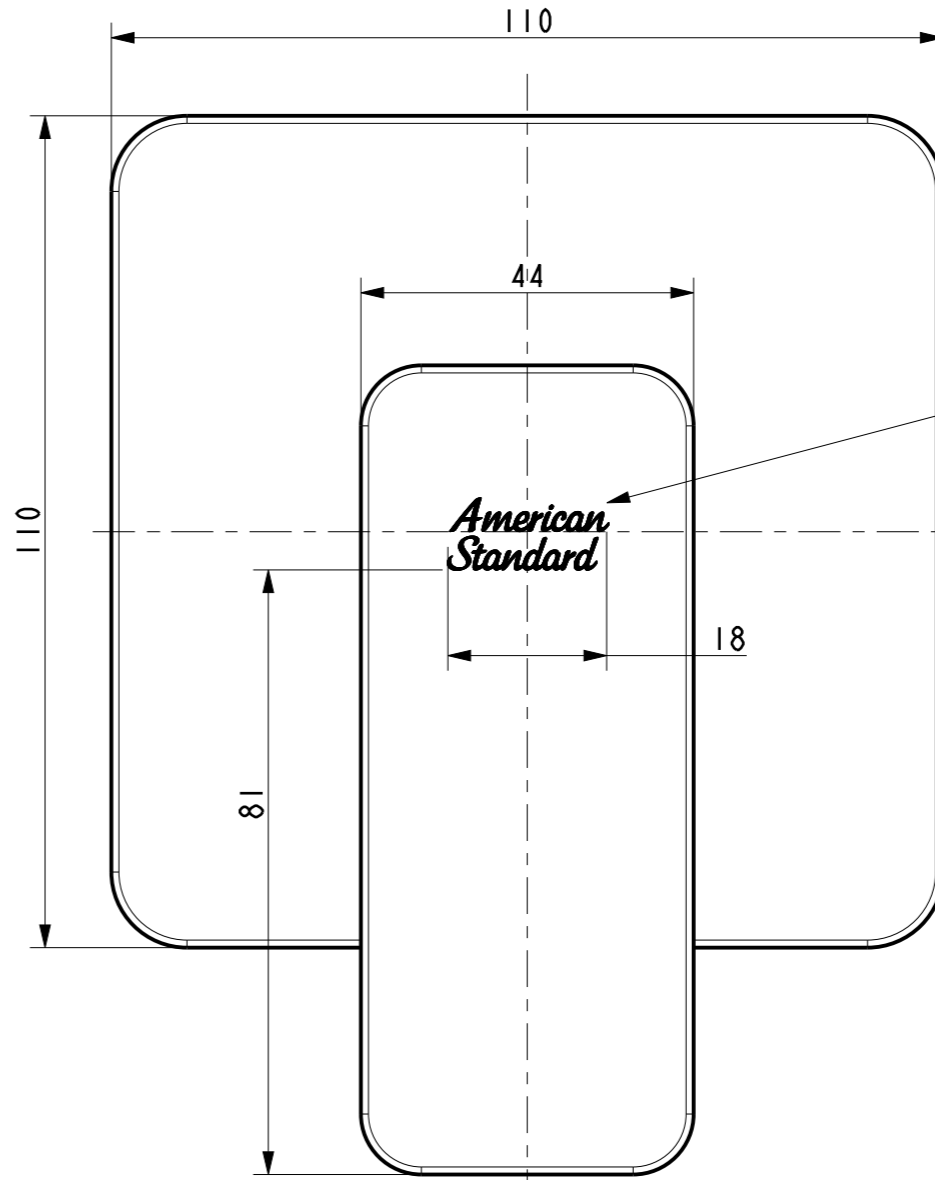
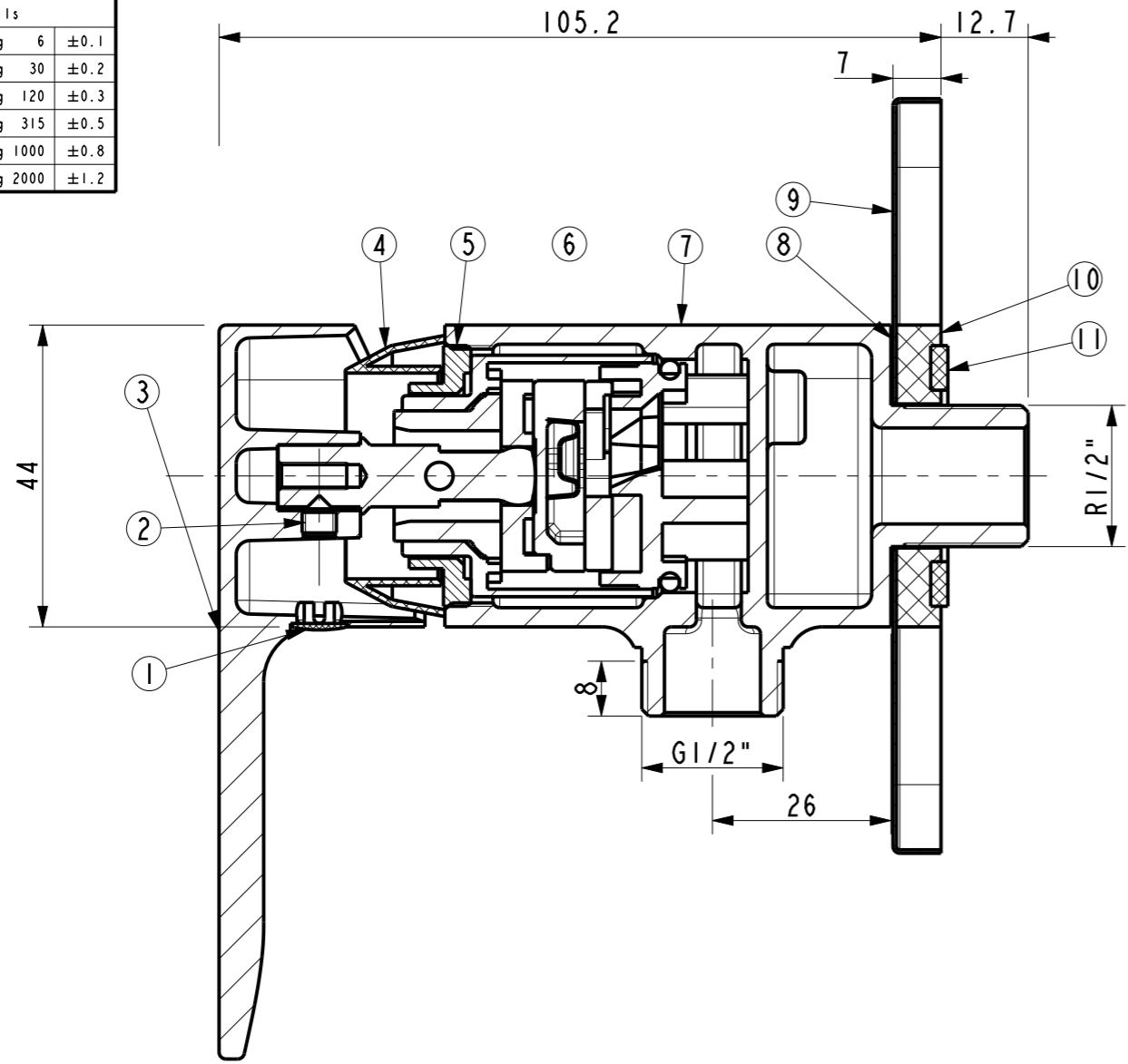


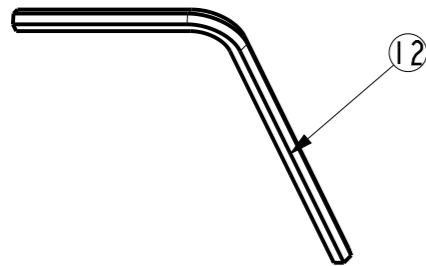
2023年3月20日
A/O

Tolerance, Unless Otherwise Stated, Is			
Above 0.5 to and including 6	6		±0.1
Excess 6 to and including 30	30		±0.2
Excess 30 to and including 120	120		±0.3
Excess 120 to and including 315	315		±0.5
Excess 315 to and including 1000	1000		±0.8
Excess 1000 to and including 2000	2000		±1.2



丝印 AS Logo
Pantone 5C

American
Standard



技术要求:

- 1、阀芯锁紧扭矩为8~10N, 其余扭矩参照《W109.1520_组装扭矩使用规范》。
- 2、涂胶水参照《W109.0519_组装常用胶水操作规范》。
- 3、产品组装后符合《W110.0507》最终检验标准-水嘴
- 4、表面需符合《W110.0589》要求。

12	FF1-CN521Z0000254	1582361599H01入墙式淋浴内六角扳手	1	Q235	
11	FF1-CN521G0000033	1581174499平垫片 738° 725° 2.5	1	NBR	
10	FF1-CN521G00000202	1581387299垫片 (PA66)	1	PA66	
9	FF1-CN521F44000127	菲隆单冷淋浴淋浴罩 哑光黑	1	H62	哑光黑
8	FF1-CN521G00000203	1581387399垫片 (透明)	1	PVC	
7	FFZD021-000284PL	新阿卡西亚淋浴淋浴龙头本体 哑光黑	1	GkV60Fk	哑光黑
6	FF1-CN521C00001399	C35G-1高脚阀芯 (N35H-SW)	1	Assembly	
5	FF1-CN521N00000096	1580665099阿卡西亚阀芯螺母	1	HP659-1	
4	FF1-CN521F0004044P	阿卡西亚淋浴龙头改进型 哑光黑	1	ABS	哑光黑
3	FF1-CN521L44000199	新阿卡西亚淋浴把手 (无孔) 哑光黑	1	ZzHA4-1	哑光黑
2	FF1-CN521N00000228	158A917376淋浴台面内六角把手螺母 M5*6	1	SUS 304	
1	FF1-CN521Z44004850	把手孔塞 哑光黑	1	ABS	哑光黑
NO.	PART NO.	PART NAME	QTY	MATERIAL	FINISH

DESIGNED	刘卫群	2022.12.20	TITLE
CHECKED	张光林	2022.12.20	REF
APPROVED	刘卫群	2022.12.20	新阿卡西亚挂墙单冷淋浴龙头
SCALE	MATERIAL	WEIGHT	DWG NO.
1:1	Assembly	[.0]	FFAS1326-7T1440BF0

American
Standard

REV	DESCRIPTION	DATE	NAME