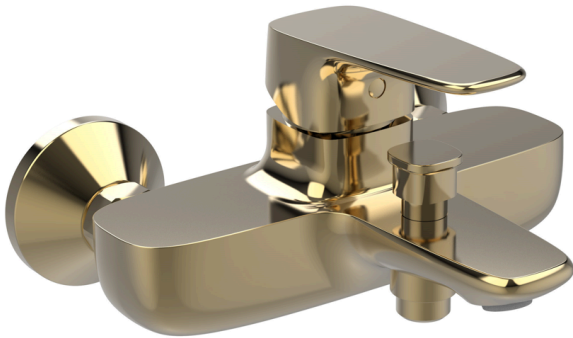


Signature

American Standard

Exposed Bath & Shower Mixer
FFAS1711-609GL0BT0



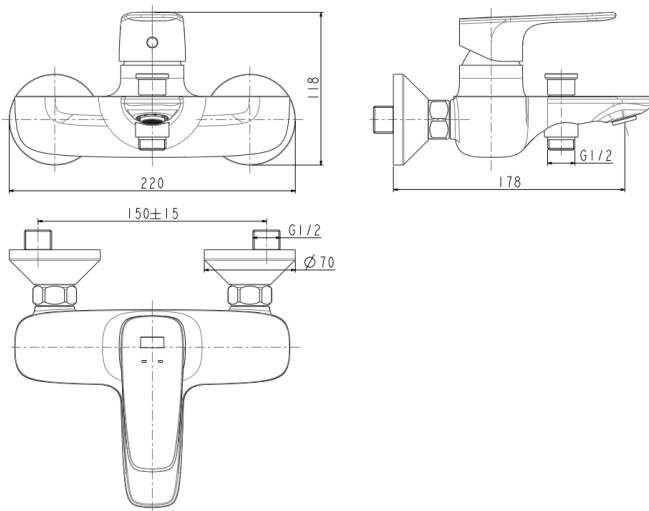
FEATURES

- A grade brass, strong and durable
- Grohe High quality ceramic valve for longer usage
- Ceramic cartridge tested = 500,000 times
- 2-way pull diverter for spout and shower
- Neoperl aerator
- Without shower kits
- With normal packaging
- Flow rate @ 0.1MPa: 8.5 L/min for spout
- Flow rate @ 0.1MPa: 13.5 L/min for shower outlet

SPECIFICATIONS

- Exposed Bath & Shower Mixer Faucet
- 2-Hole Installation: lever handle (cold & hot)
- Spout Reach: 178 mm

DIMENSIONAL DRAWING



FINISHES AVAILABILITY

Cool Sunrise (- PVD)

AWARDS WON

- N/A

SHIPPING WEIGHT

- Product gross weight: 2.79kg /set
- Product net weight: 2.6kg /set

STANDARDS CRITERIA

- GB 18145-2014