

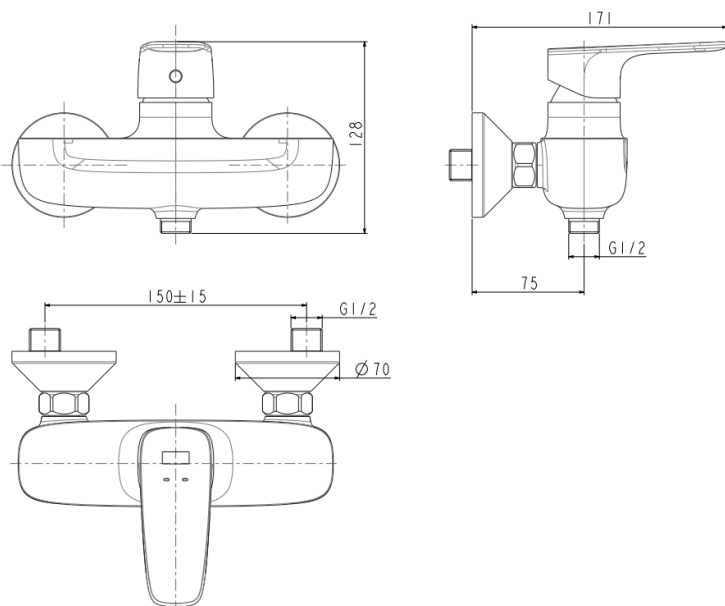
# Signature

# American Standard

Exposed Shower Mixer  
FFAS1712-709GL0BT0



## DIMENSIONAL DRAWING



## FEATURES

- A grade brass, strong and durable
- Grohe High quality ceramic valve for longer usage
- Ceramic cartridge tested = 500,000 times
- Without shower kits
- With normal packaging
- Flow rate @ 0.1MPa: 16 L/min for shower outlet

## SPECIFICATIONS

- Exposed Bath & Shower Mixer Faucet
- 2-Hole Installation: lever handle (cold & hot)

## FINISHES AVAILABILITY

Cool Sunrise (- PVD)

## AWARDS WON

- N/A

## SHIPPING WEIGHT

- Product gross weight: 2.26kg /set
- Product net weight: 2.132kg /set

## STANDARDS CRITERIA

- GB 18145-2014