

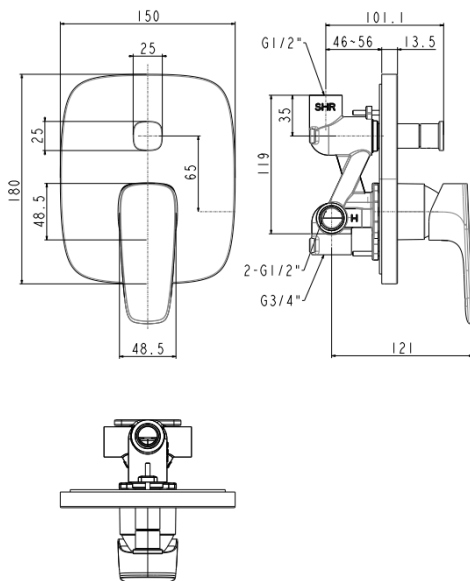
Signature

American Standard

Concealed Bath & Shower Mixer FFAS1721-609DA0BT0



DIMENSIONAL DRAWING



FEATURES

- Brass, strong and durable
- High quality ceramic valve for longer usage
- Ceramic cartridge tested = 500,000 times
- Plastic escutcheon,
- Without spout & shower kits
- With normal packaging
- Flow rate @ 0.1MPa: 11.4 L/min for spout outlet
- Flow rate @ 0.1MPa: 11.8 L/min for shower outlet

SPECIFICATIONS

- Concealed bath & shower mixing valve
- 1-hole installation: lever handle (cold & hot)
- Escutcheon size: 185X150mm

FINISHES AVAILABILITY

PVD Polished warm sunset

AWARDS WON

- N/A

SHIPPING WEIGHT

- Product gross weight: 1.83kg /set
- Product net weight: 1.55kg /set

STANDARDS CRITERIA

- GB 18145-2014