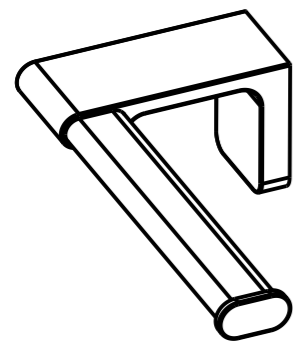
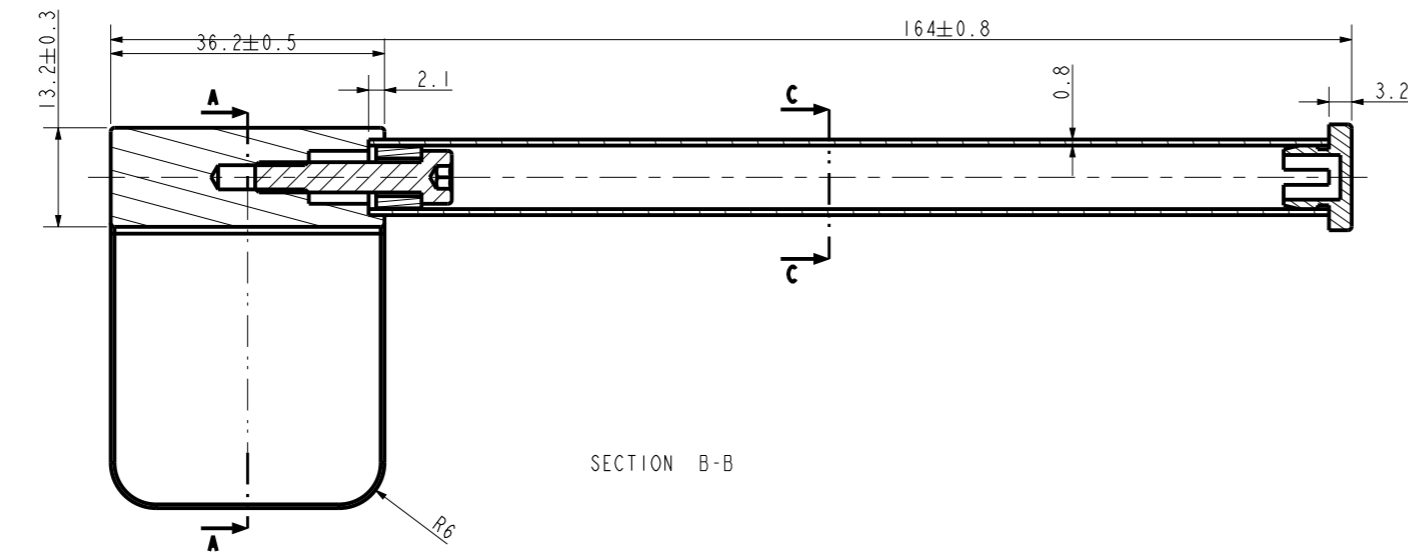


2023年3月20日
A/O

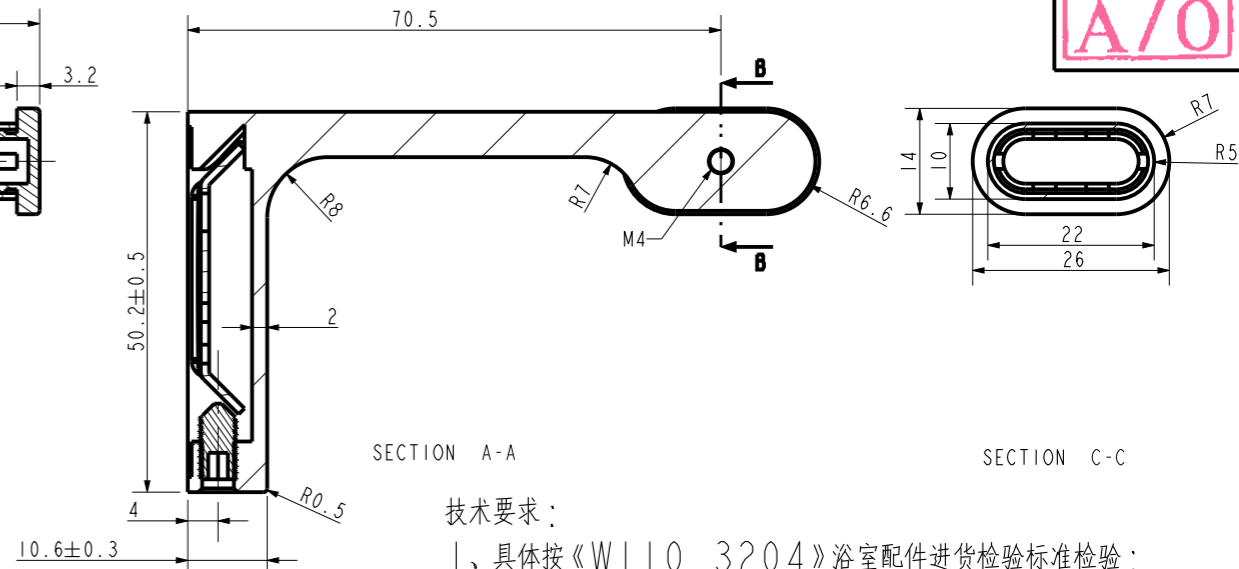
Tolerance, Unless Otherwise Stated, Is			
Above 0.5 to and including 6	±0.1	6	±0.1
Excess 6 to and including 30	±0.2	30	±0.2
Excess 30 to and including 120	±0.3	120	±0.3
Excess 120 to and including 315	±0.5	315	±0.5
Excess 315 to and including 1000	±0.8	1000	±0.8
Excess 1000 to and including 2000	±1.2	2000	±1.2



SCALE 0.400

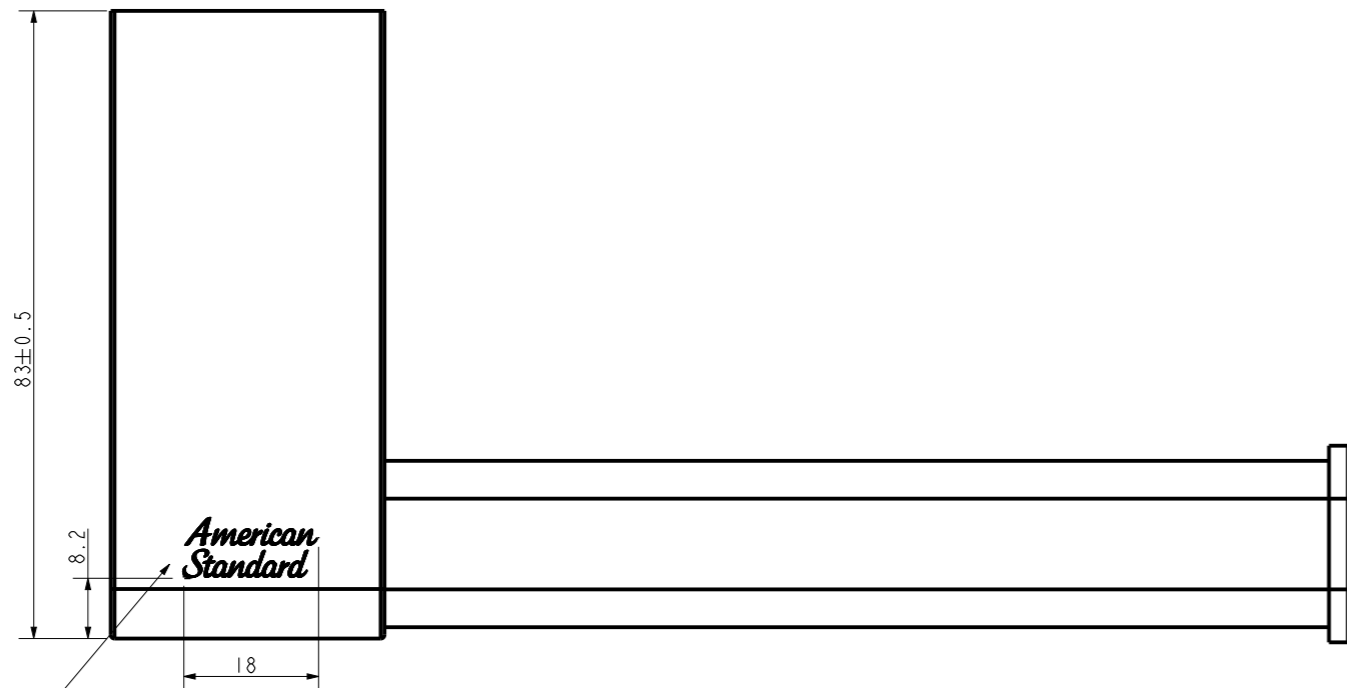


SECTION B-B

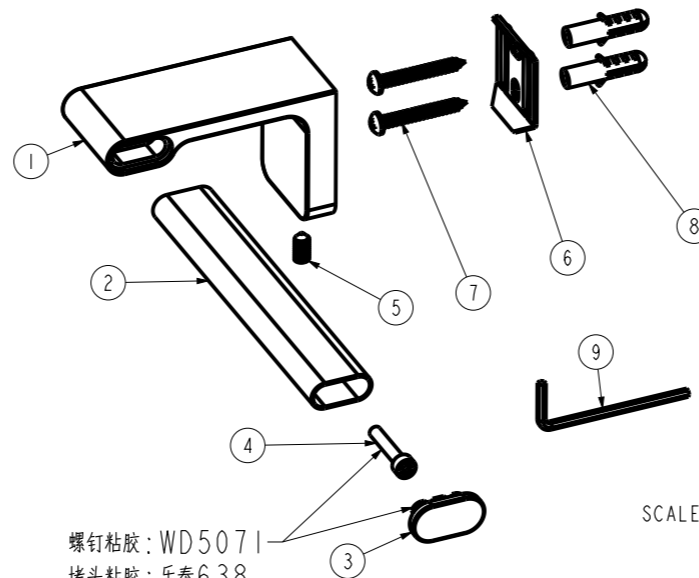
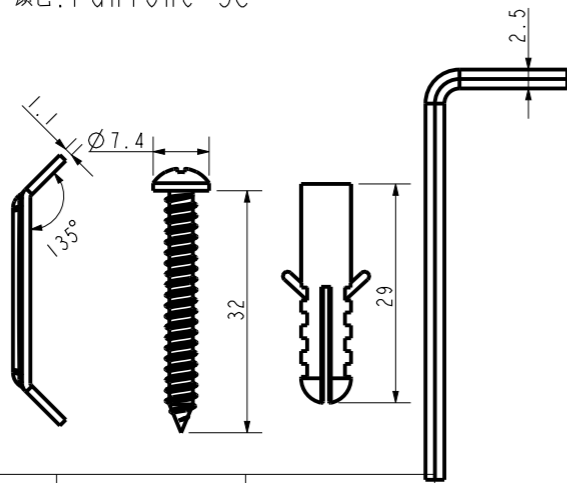
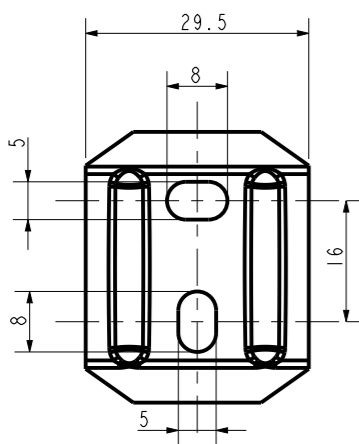


SECTION A-A

SECTION C-C



丝印AS_Logo, 位置居中 字宽18mm
颜色: Pantone 5C



螺钉粘胶: WD5071
堵头粘胶: 乐泰638

SCALE 0.400

技术要求:

- 1、具体按《W110.3204》浴室配件进货检验标准检验;
- 2、产品表面不应有胶水印;
- 3、产品表面处理符合《W110.0589_装饰性喷涂表面》;
- 4、产品外箱需标明净重与毛重;
- 5、包装清单如下表:

包装	内容 / 编号	备注
1、内盒	1586715599	AS黑色彩盒
2、外箱	1586919699	装箱数: 24pcs
3、说明书	158M000311	
4、内盒标签	158L000515	居中贴在盒内左侧无Logo面
5、外箱标签	158L000524	一个外箱贴两张
6、盒内包材	主体: 海绵袋16*20CM 配件: PE自封袋6*8CM	

9	FFAS1387-908440BF0-9	内六角扳手2.5	1	A3	
8	FFAS1387-908440BF0-8	Ø6塑料膨胀管	2	PA66	
7	FFAS1387-908440BF0-7	ST4.2自攻螺丝	2	SUS304	
6	FFAS1387-908440BF0-6	安装固定片	1	SUS304	
5	FFAS1387-908440BF0-5	内六角螺钉M5*10	1	SUS304	
4	FFAS1387-908440BF0-4	内六角螺钉	1	SUS304	
3	FFAS1387-908440BF0-3	堵头	1	ZZnAl4-1	哑光黑
2	FFAS1387-908440BF0-2	纸巾架横杆	1	H65	哑光黑
1	FFAS1387-908440BF0-1	纸巾架底座	1	ZZnAl4-1	哑光黑
No.	Part No.	Part Name	QTY	Material	Remark

DESIGNED	刘卫群	2022.12.20	TITLE		
CHECKED	周光强	2022.12.20	REF		
APPROVED	李平	2022.12.20	新阿卡西亚纸巾架_格调黑		
SCALE	MATERIAL	WEIGHT	DWG NO.		
1.000	Assembly	[.0]	FFAS1387-908440BF0		

REV	DESCRIPTION	DATE	NAME
A0			

American Standard