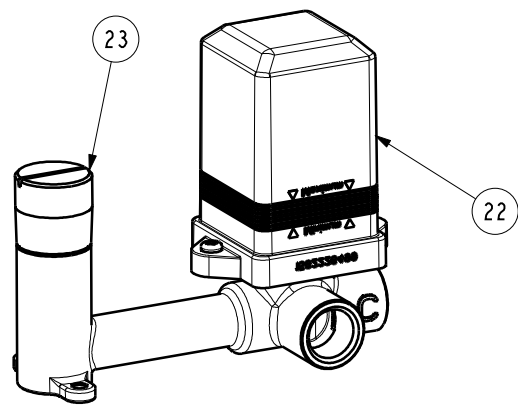
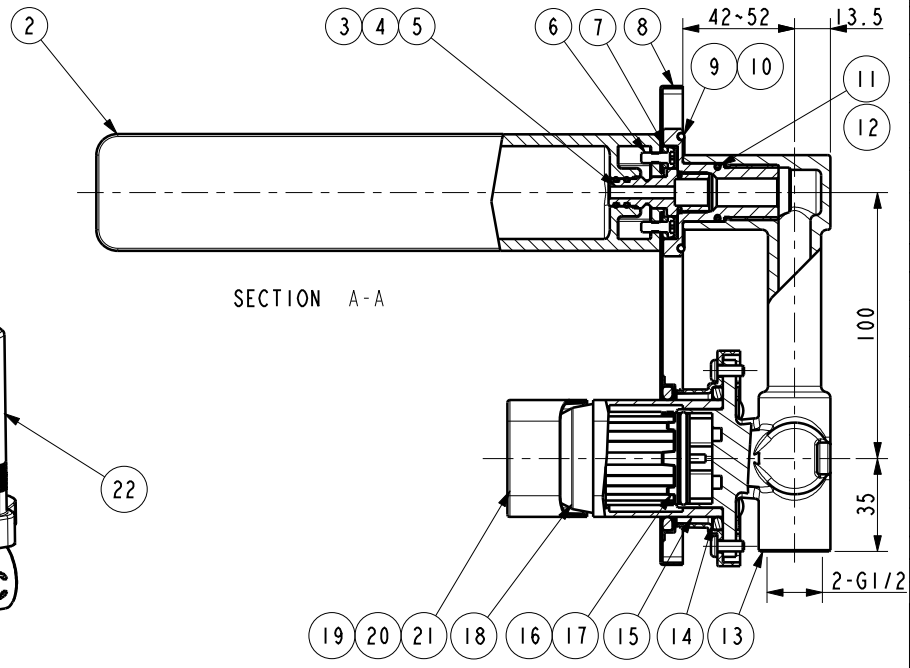
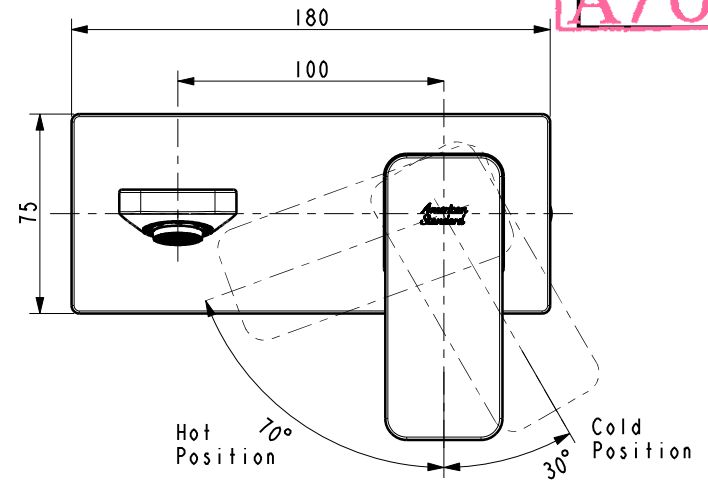
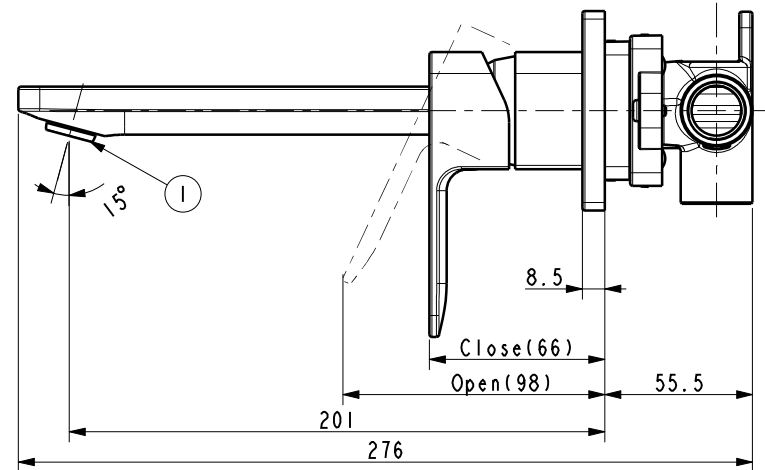
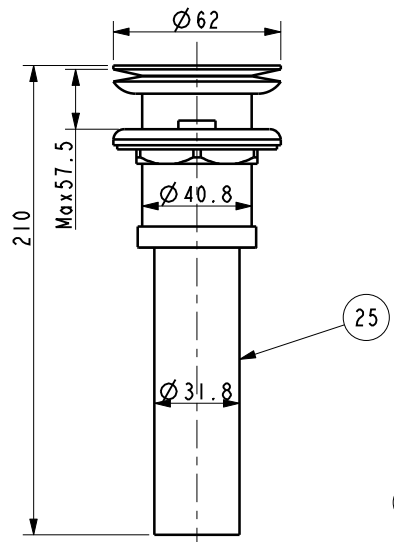


| Tolerance, Unless Otherwise Stated, Is | | | |
|--|------|------|------|
| Above 0.5 to and including 6 | ±0.1 | 6 | ±0.1 |
| Excess 6 to and including 30 | ±0.2 | 30 | ±0.2 |
| Excess 30 to and including 120 | ±0.3 | 120 | ±0.3 |
| Excess 120 to and including 315 | ±0.5 | 315 | ±0.5 |
| Excess 315 to and including 1000 | ±0.8 | 1000 | ±0.8 |
| Excess 1000 to and including 2000 | ±1.2 | 2000 | ±1.2 |



SCALE 0.500

| No. | Part Code | Part Name | Qty | Material | Remark |
|-----|--------------------|---|-----|----------|--------|
| 25 | FF1-CN521X00197ALB | Drain | 1 | Assembly | |
| 24 | FF1-CN521Z00000254 | In-Hex Wrench for H01 Mixer | 1 | Q235 | |
| 23 | FF1-CN521Z00000310 | Plug for New Mass In-wall | 1 | PP | |
| 22 | FF1-CN521J00000556 | Protect Cover for Acacia E | 1 | PP | |
| 21 | FF1-CN521N00000228 | Screw for Celia Lever M5x6 | 1 | SUS304 | |
| 20 | FF1-CN521Z00000086 | Index Button for TONIC Fitting line | 1 | ABS | |
| 19 | FF1-CN521LAL000191 | Handle for Acacia E SH Basin Mixer | 1 | ZZnAl4-1 | |
| 18 | FF1-CN521F00040ALP | Cartridge Cover for Sgl Hole FT | 1 | ABS | |
| 17 | FF1-CN521N00000091 | Lock Nut for Minimalistic InWall B&S Faucet | 1 | HPb59-1 | |
| 16 | FF1-CN521C00000057 | 35# ECO Cartridge (KN-35 ECP) | 1 | Assembly | |
| 15 | FF1-CN521JAL000554 | Brass Bushing for Acacia E | 1 | HPb59-1 | |
| 14 | FF1-CN521G00000362 | Sealing Ring For Acacia E | 2 | NBR70 | |
| 13 | FFZ1304-10150BDMC | Body for A41 In-Wall Lava Faucet | 1 | GkMs60FK | |
| 12 | FF1-CN521G00000251 | O-Ring φ17×φ2 | 1 | NBR70 | |
| 11 | FF1-CN521G00000289 | O-Ring φ11×φ1.5 | 1 | NBR70 | |
| 10 | FF1-CN521G00000361 | O-RING-φ39.34×φ2.62,N | 1 | NBR70 | |
| 9 | FF1-CN521J00000304 | Connect plate for New Mass | 1 | HPb59-1 | |
| 8 | FF1-CN521FAL000281 | Escutcheon for Acacia E | 1 | H62 | |
| 7 | FF1-CN521F00000015 | Fixing plate for New Mass | 1 | HPb59-1 | |
| 6 | FF1-CN521N00000194 | 2002 Screw (Zinc) | 10 | SUS304 | |
| 5 | FF1-CN521N00000187 | Set Screw for Acacia Single Hole Faucet | 1 | SUS304 | |
| 4 | FF1-CN521G00000104 | O-Ring φ6.5×φ1.7 | 2 | NBR70 | |
| 3 | FF1-CN521J00000552 | Adaptor For Acacia E In-wall | 1 | HPb59-1 | |
| 2 | FFZ1304-101ALBPPL | Spout for A41 In-Wall Lava Faucet | 1 | GkMs60FK | |
| 1 | FF1-CN521A00000102 | M24X1 SLIM Air SSR Aerator (4 Star) | 1 | Assembly | |

| DESIGNED | 利华沃 | 20221221 | TITLE |
|----------|--------------------|------------|---|
| CHECKED | <i>[Signature]</i> | 2022.12.21 | REF Acacia E In-Wall Vessel Mixer_Brushed Hard Graphite |
| APPROVED | <i>[Signature]</i> | 2022.12.21 | |
| SCALE | MATERIAL | WEIGHT | DWG NO. |
| 0.500 | Assembly | | FFAS1304-101AL0BFO |

| REV | DESCRIPTION | DATE | NAME |
|-----|-------------|------|------|
| | | | |

