

Care & Maintenance

**! Please don't put heavy things on top to ensure the enduring safety of the hanger.
(the enduring limit should be within 5 kgs)**

Warm Tips

Please pay attention to below when you clean the metal coating.

1. Do not use any acid cleanser.
2. Do not use any abrasive cleanser.
3. Do not use any abrasive tool such as emery cloth or metal wire.

Maintenance Instruction on Metal Coating

1. Rinse the surface faucet with clean water first, then dry it with soft cotton cloth.
2. If there is some surface dirt and film which is difficult to clean, please use litmusless or alkaline cleanser to clean them (recommended PH value is 7-9). Then rinse it with clean water and dry it with soft cotton cloth.

* The user need to take the responsibility for any damage caused by improper maintenance and clean.

Acacia E

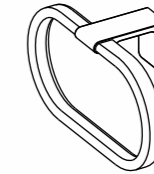


XXX = AL0 / A00 / DA0 /
GL0 / 440 / 500

FFAS1381-908XXXBF0
FFAS1381-908XXXBT0
Acacia E Robe Hook

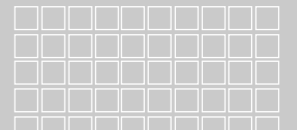


FFAS1387-908XXXBF0
FFAS1387-908XXXBT0
Acacia E Tissue Holder



FFAS1390-908XXXBF0
FFAS1390-908XXXBT0
Acacia E Towel Ring

American Standard



Installation &
Operation Instructions

Thank you for selecting American Standard, the benchmark of fine quality for over 100 years.
To ensure that your installation proceeds smoothly, please read these instructions carefully before you begin.

- * American Standard continually improves our product design and performance. American Standard reserves the right to modify the dimensions and specifications of our product accordingly without any prior notification.
- * Actual dimensions and specifications may vary, refer to physical product for exact dimensions and specifications.

Pre-Installation Checks

- * All instruction procedures must comply in strict accordance with applicable local plumbing and building codes.
- * Before assembling, please make sure the drilled position in the assembling part is safe.
- * Check installation distances in the Dimension diagram to ensure correct installation.
- * Please hold the body during assembling to avoid damage on the product.

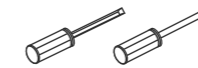
Recommended Tools and Materials



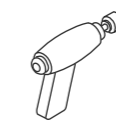
Tape Measure



Sinker



Screwdriver



Drill

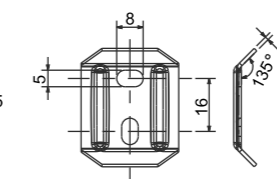
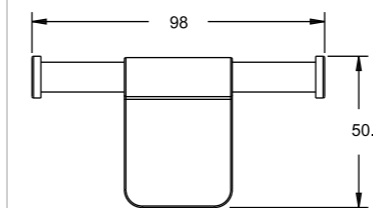


Pencil

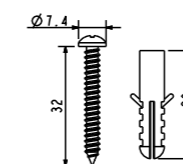
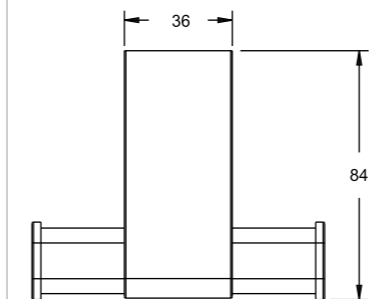
Dimension

Unit: mm

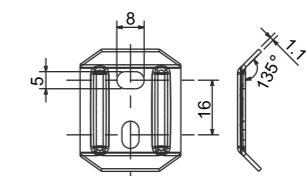
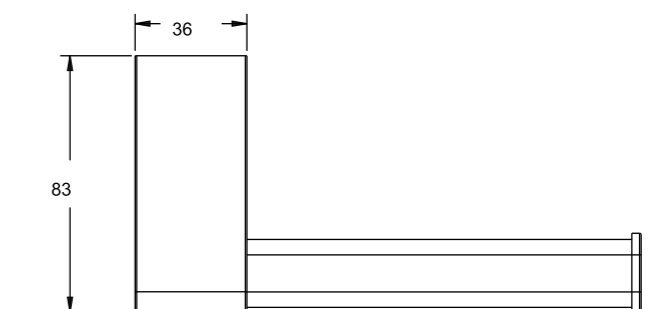
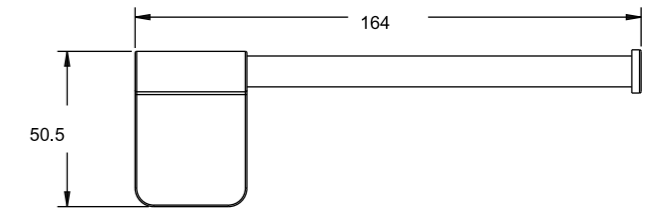
FFAS1381-908XXXBF0
FFAS1381-908XXXBT0



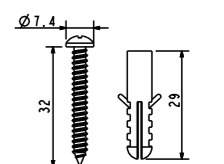
(The base mounting holes)



FFAS1387-908XXXBF0
FFAS1387-908XXXBT0



(The base mounting holes)

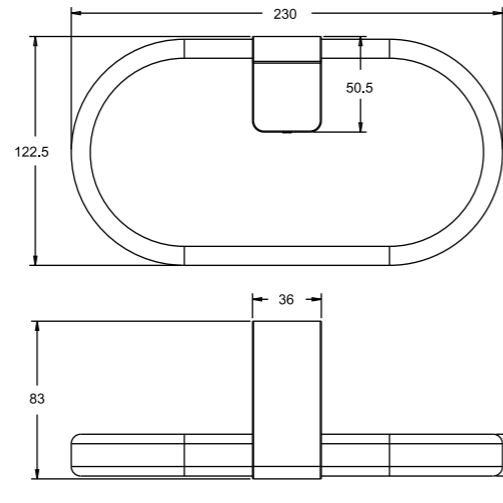
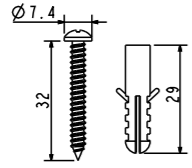
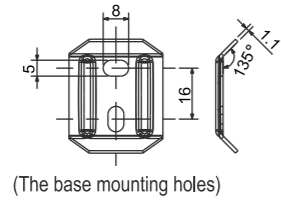


Attention:
Please leave manual with customer
post installation.

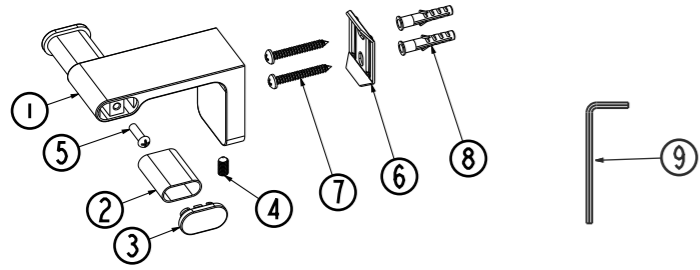
Dimension

FFAS1390-908XXXBF0
FFAS1390-908XXXBT0

Unit: mm



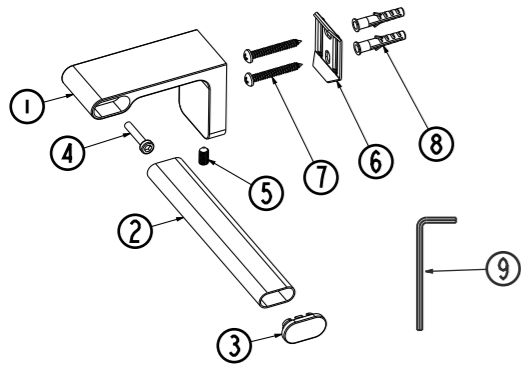
Parts List



FFAS1381-908XXXBF0
FFAS1381-908XXXBT0

Parts List

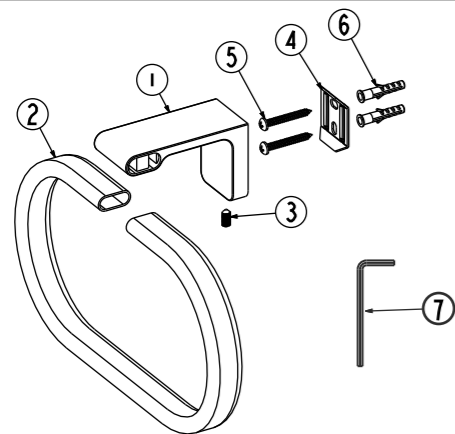
No.	Parts Name	Q'ty
1	Body	1
2	Rod	2
3	Plug	2
4	Screw	1
5	Screw	2
6	Mounting Bracket	1
7	Screw	2
8	Anchor	2
9	In-hex Wrench (2.5mm)	1



FFAS1387-908XXXBF0
FFAS1387-908XXXBT0

Parts List

No.	Parts Name	Q'ty
1	Body	1
2	Rod	1
3	Plug	1
4	Screw	1
5	Screw (M5*10)	1
6	Mounting Bracket	1
7	Screw	2
8	Anchor	2
9	In-hex Wrench (2.5mm)	1



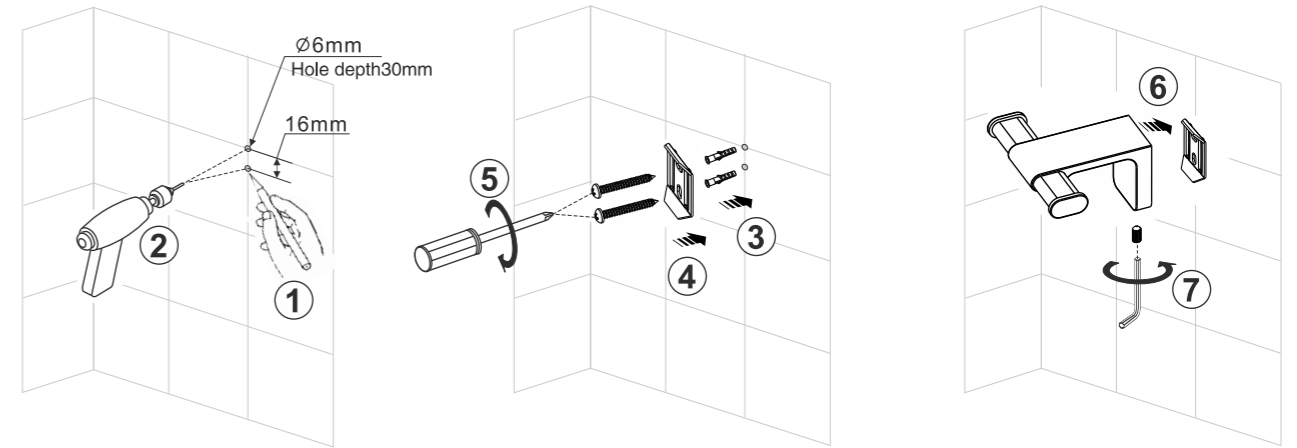
FFAS1390-908XXXBF0
FFAS1390-908XXXBT0

Parts List

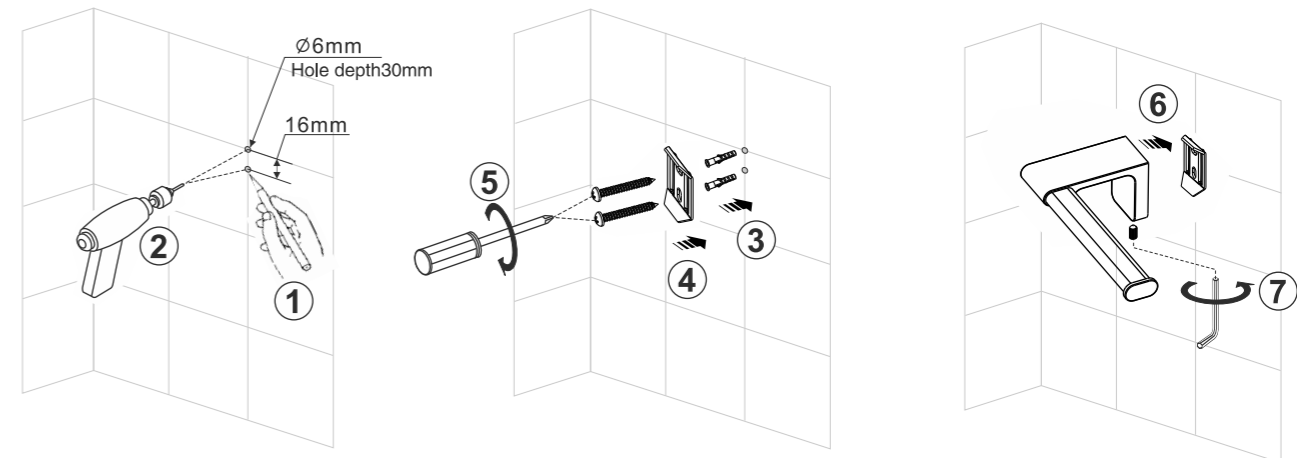
No.	Parts Name	Q'ty
1	Body	1
2	Ring	1
3	Screw (M5*10)	1
4	Mounting Bracket	1
5	Screw	2
6	Anchor	2
7	In-hex Wrench (2.5mm)	1

Installation

FFAS1381-908XXXBF0
FFAS1381-908XXXBT0



FFAS1387-908XXXBF0
FFAS1387-908XXXBT0



FFAS1390-908XXXBF0
FFAS1390-908XXXBT0

