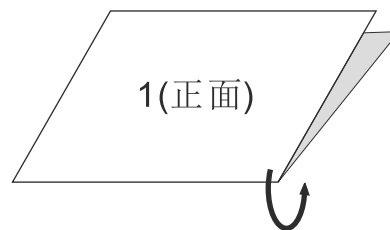
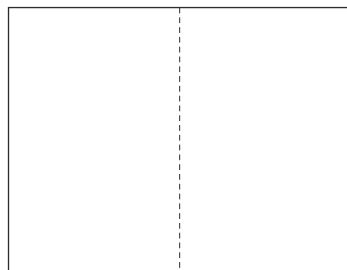


2023年1月16日

A/O

Tolerance, Unless
Otherwise Stated. Is

Above 0.5 to and including 6	±0.1
Excess 6 to and including 30	±0.2
Excess 30 to and including 120	±0.3
Excess 120 to and including 315	±0.5
Excess 315 to and including 1000	±0.8
Excess 1000 to and including 2000	±1.2



1. 说明书双面印刷完成
(297x210=A4) 共1页

2. 说明书折叠完成

制作说明:

1. 说明书完成的尺寸: 148*210
2. 材料: 80克的白色纸
3. 印刷说明: (详看图示)
4. 印刷颜色: 黑白
5. 印刷时, 内容准确, 清晰, 墨色均匀, 表面清洁。

DESIGN	黄卓桓	2022.12.30	TITLE	Instructions
CHECKED	刘五群	2022.12.30	REF	英文说明书 (PVD) _ FFAS1305-101XXXBF0 FFAS1305-101XXXBT0
APPROVED	李开	2022.12.30		
SCALE	MATERIAL	WEIGHT	DWG NO.	American Standard
			FF1-CN521K00572699	

REV	DESCRIPTION	DATE	NAME

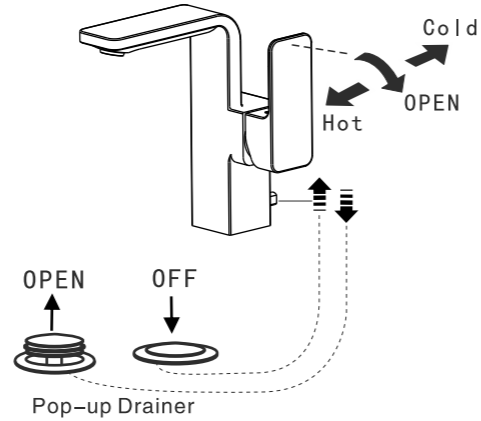
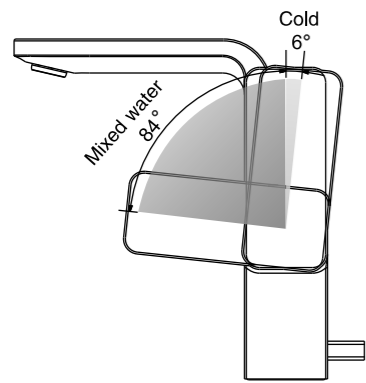
Test / Usage

1 Test

- * Move handle down into "OFF" position. Turn on supply angle valve to check all connections for leak.
- * Operate handle up and down, left and right to flush water lines thoroughly.

2 Usage

Handle work range



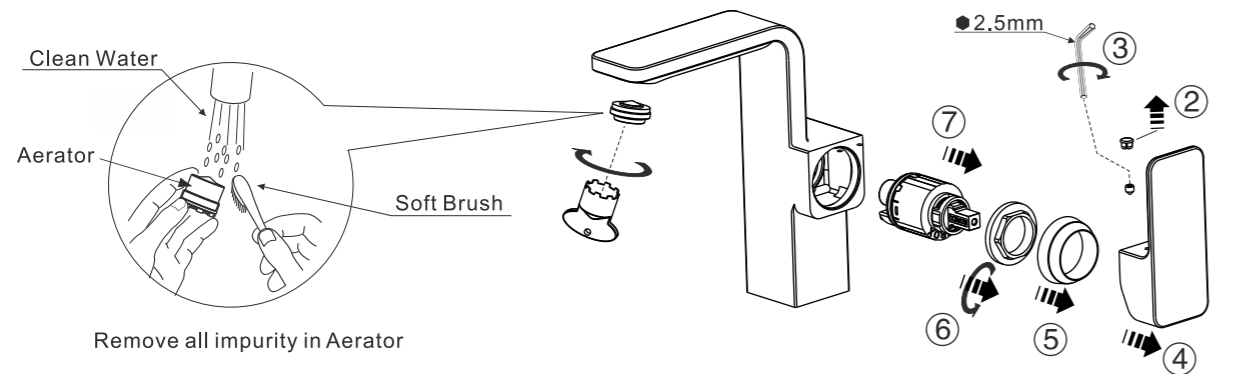
2023年1月16日
A/O

Trouble Shooting Guide

Trouble	Checkpoint	Contents	Action
Poor flow rate	Regulator	Check any impurities.	Remove all impurities.
	Angle valve	Check valve position.	Open it to full valve
	Flexible hose	Check if hose is twisted.	Untwist the hose.
Leakage	Cartridge packing	Check cartridge install.	When packing is damaged, replace the cartridge.
	Hose junction	Check the connection.	Check the existence of packing and wind it up sufficiently
Deviant Temperature	Supply valve	Check if the water from supply valve is enough or not	Increase water supply
	Supply system	Check if the supply pipe connected correct or not	Connect the hot and cold water pipe correctly

Care & Maintenance

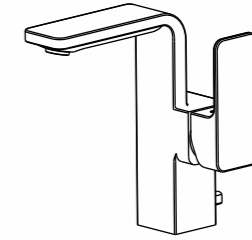
* If you want to change the parts or clean the inner of faucet, please follow the steps below to remove the parts.



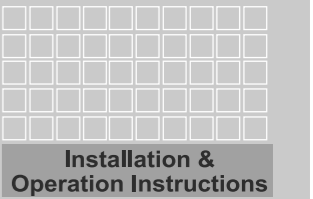
Attention:
Please Leave the manual with the customer after installation is finished.

Acacia-Evolution

FFAS1305-101XXXBF0
FFAS1305-101XXXBT0
Acacia Evolution SH Basin Mixer (Side lever)
XXX = AL0 / A00 / DA0 / GL0 / 440 / 500



American Standard



Thank you for selecting American-Standard - the benchmark of fine quality for over 100 years.
To ensure that your installation proceeds smoothly--please read these instructions carefully before you begin.

- * American Standard always keep raising and improving the product design and performance, and reserve the right to modify the dimension and specification. At this case, we will not inform you separately.
 - * This installation instruction sheet is for your reference only, the dimension and specification is subject to the actual products.
- All instruction procedures must comply in strict accordance with applicable local plumbing and building codes**

Pre-Installation Checks

- * Remove all impurity in pipes before beginning to avoid clogging. Connect faucet pipes correctly.
- * Check installation distances in the Dimension diagram to ensure correct installation.

Conditions for use

- * Recommended water pressure condition: 0.1~0.5Mpa.
- * Environment Temperature: 1~55°C
- * Steam is not allowed to use.
- * The cold and hot water pipes must not be reserved.

When in the process of installation, Please grab the body. Do not grab handle only.

Recommended Tools and Materials



Adjustable Wrench



Screwdriver



Tape Measure



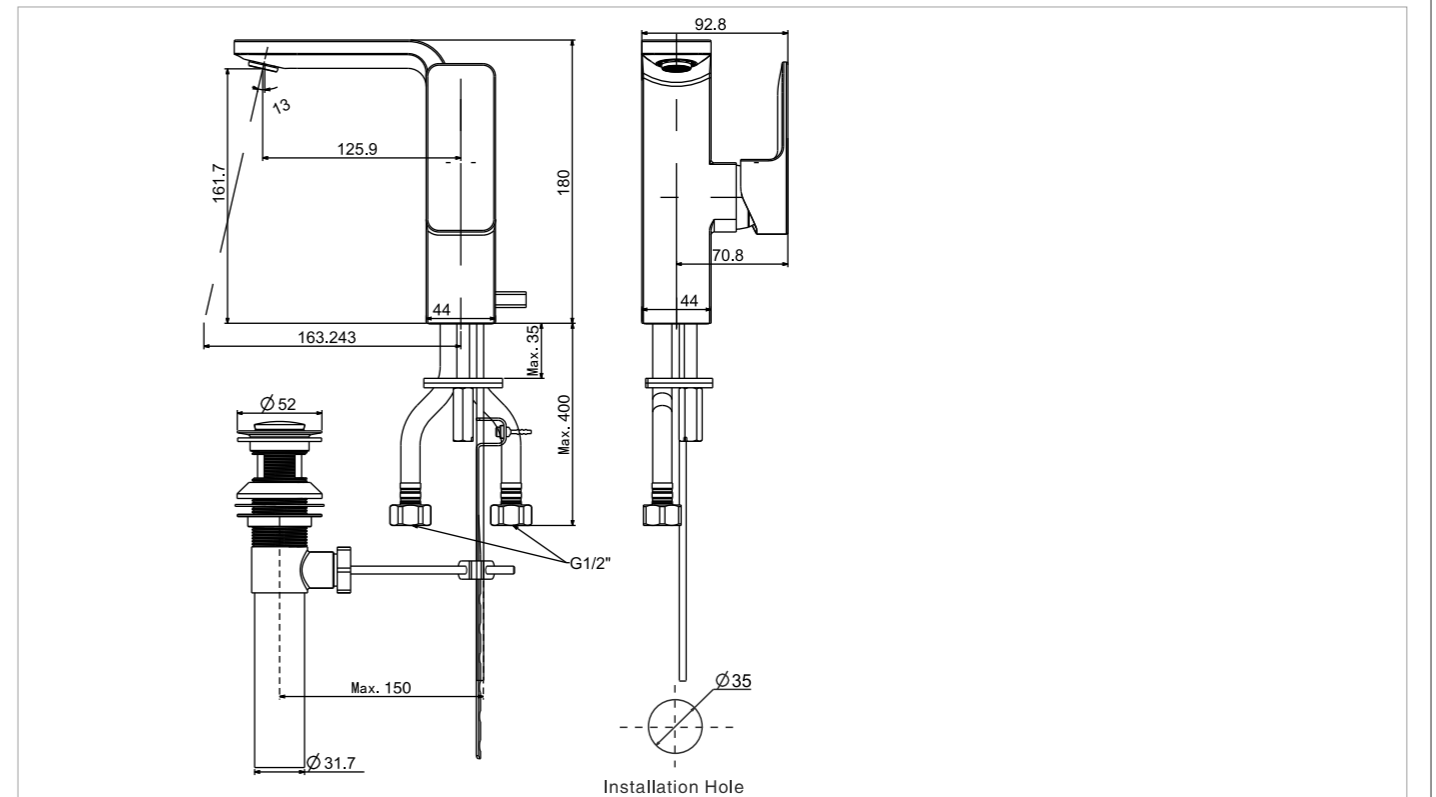
Teflon Tape



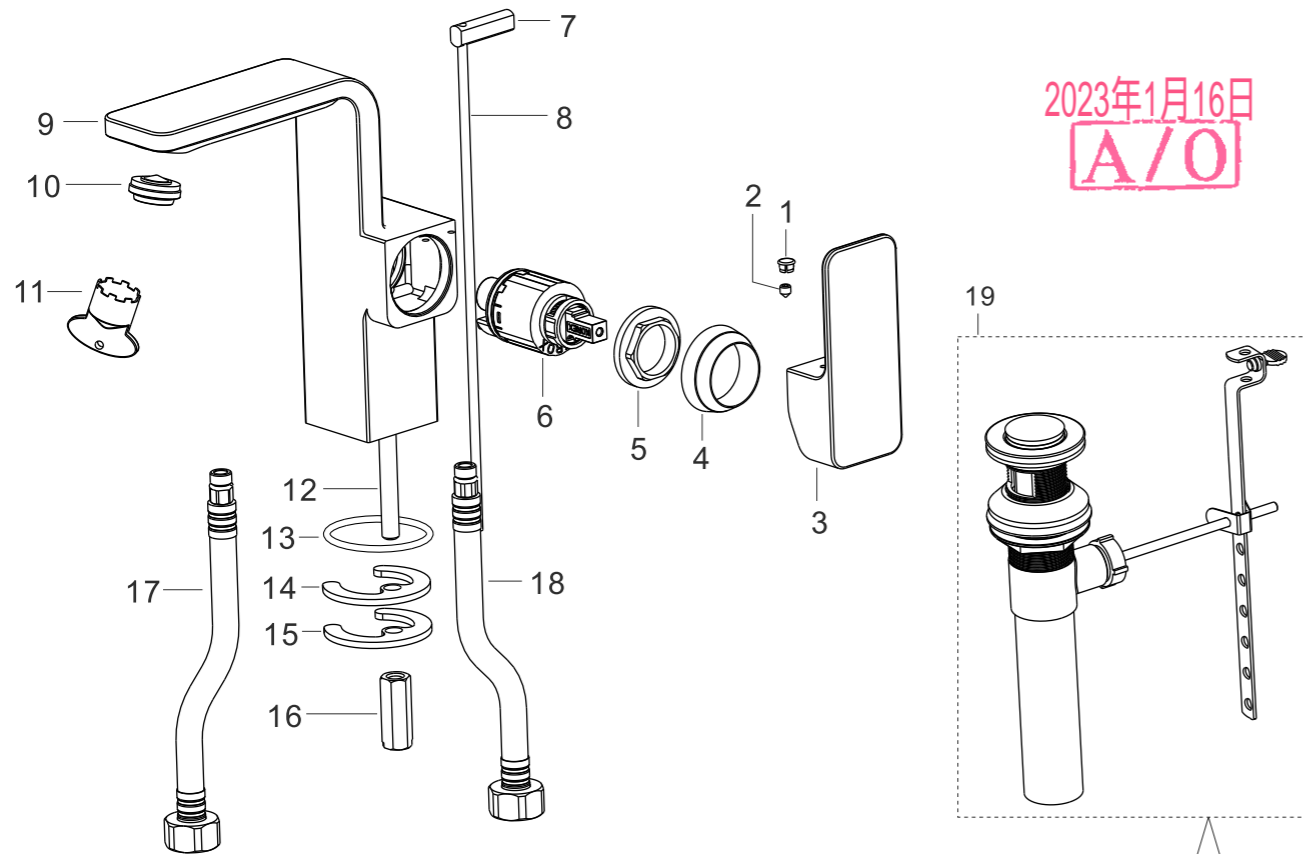
Pencil

Dimension

unit: mm



Parts List

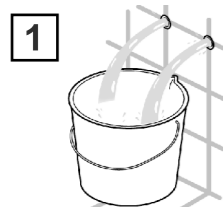


Note:
FFAS1305-101XXXBT0 model
does not have this part

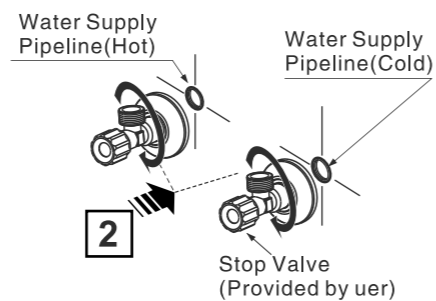
Parts List					
No.	Part Name	Q'ty	No.	Part Name	Q'ty
1	Index Button	1	13	O-Ring	1
2	Screw	1	14	Washer	1
3	Handle	1	15	Washer	1
4	Cap	1	16	Nut	1
5	Nut	1	17	Hose (red)	1
6	Cartridge	1	18	Hose (blue)	1
7	Knob	1	19	Pop-up Drainer	1
8	Pop-up rod	1			
9	Spout	1			
10	Aerator	1			
11	Aerator Wrench	1			
12	Bushing	1			

Installation

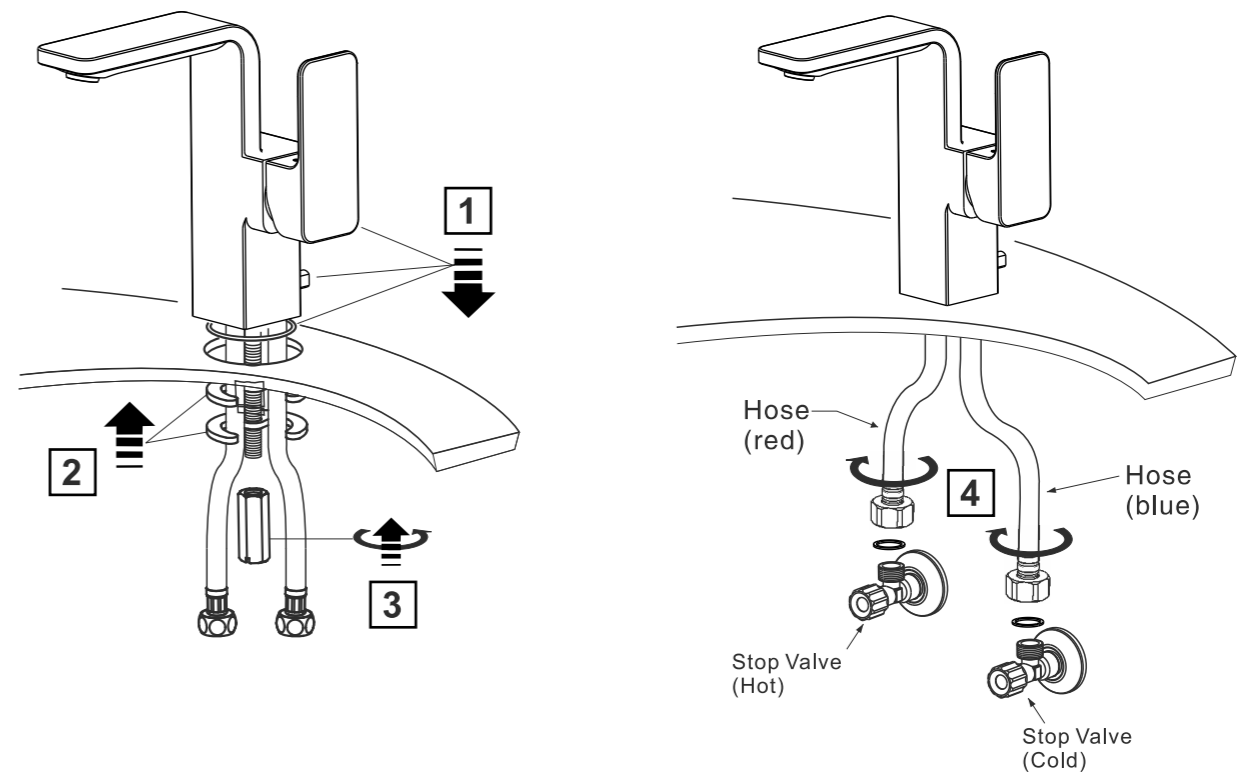
1 Preparation



- * Consult the dimension drawing and lay the pipes.
- * Wash and clean the water supply pipeline.



2 Installing the Faucet



3 Installing the Pop-up Drain

(FFAS1305-101XXXBF0)

