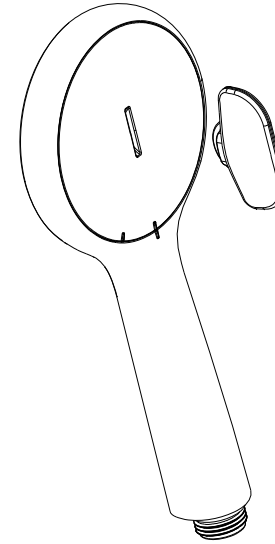
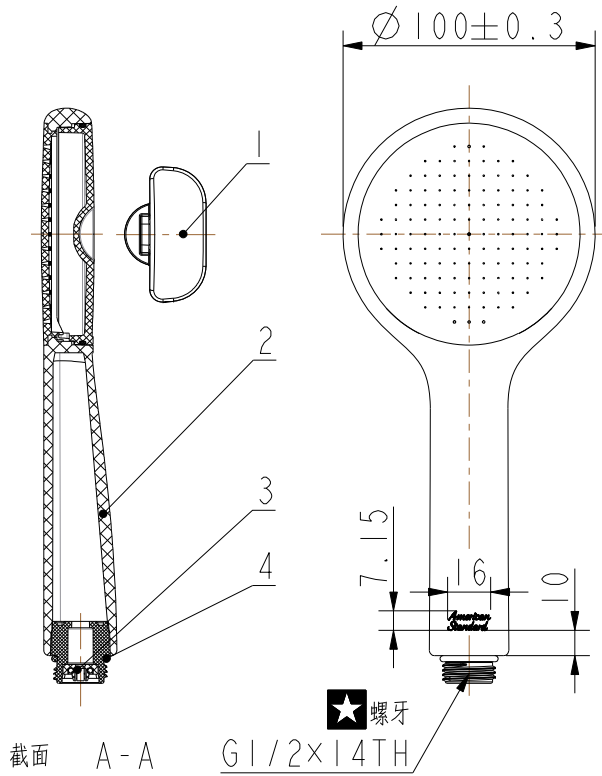
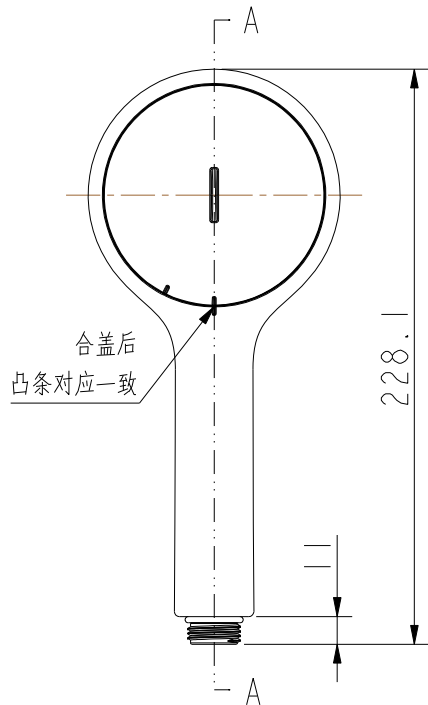


A/O

Tolerance, Unless Otherwise Stated. Is			
Above	0.5 to and including	6	±0.1
Excess	6 to and including	30	±0.2
Excess	30 to and including	120	±0.3
Excess	120 to and including	315	±0.5
Excess	315 to and including	1000	±0.8
Excess	1000 to and including	2000	±1.2



技术要求:

1. 恒流阀型号为58.6158.0,为NEOPERL产品;
2. 无飞边、毛刺,各表面不得有凹痕,划伤,断牙等明显缺陷;
3. 花洒相关性能须符合《W110.0406内控标准--花洒》;
4. 花洒后盖开启力矩 $\leq 3.5N \cdot m$;
5. 恒流阀与花洒接头的拉拔力 $\geq 35.59N$ (8磅力);
6. 带"★"号为重要尺寸。

4	FFI-CN521G0004999R	O型圈 $\varnothing 18 \times \varnothing 2.5$	1	EPDM	配件包
3	FFI-CN521Z0008299P	2.5GPM恒流阀	1	组合件	NEOPERL
2	FFI-CN521H0005460P	小精灵手持花洒主体(海洋绿)	1	组合件	
1	FFI-CN521Z0011099P	小精灵手持花洒扳手	1	PA66+45%GF	
No.	Part No.	Part Name	QTY	Material	Remark

DESIGNED	纪龙川	2018.6.8	TITLE Genie Hand Shower(Aquamarine)		
CHECKED	阮国林	2018.06.08	REF		
APPROVED	郭华宇	2018.6.8.	小精灵增压手持花洒(海洋绿)		
SCALE	MATERIAL	WEIGHT	DWG NO.		American Standard
1:3	Assembly		FFASS505-000600BF0		

REV	DESCRIPTION	DATE	NAME