

1016312080

Loven

Loven Vessel 500mm EX

#### STYLE SEGMENT

- Modern

#### KEY SPECIFICATIONS

- Installation Type: Vessel
- Product Dimensions: 500\*380\*184 mm
- Material: Vitreous China
- Color: White Heat II
- Overflow Hole: With
- Faucet Ledge: No
- Included Components: NO



#### SHIPPING WEIGHT

- Net Weight: 10.7 kg
- Gross Weight: 12.5 kg

#### KEY TECHNOLOGIES AND FEATURES

##### HYGIENE

- Complies with American Standard Quality Standards

##### COMFORT

- Complies with American Standard Quality Standards

##### CONVENIENCE

- Complies with American Standard Quality Standards

##### DURABILITY

- Complies with American Standard Quality Standards

##### SUSTAINABILITY

- Complies with American Standard Quality Standards

##### SAFETY

- Complies with American Standard Quality Standards

##### OTHERS

- NIL

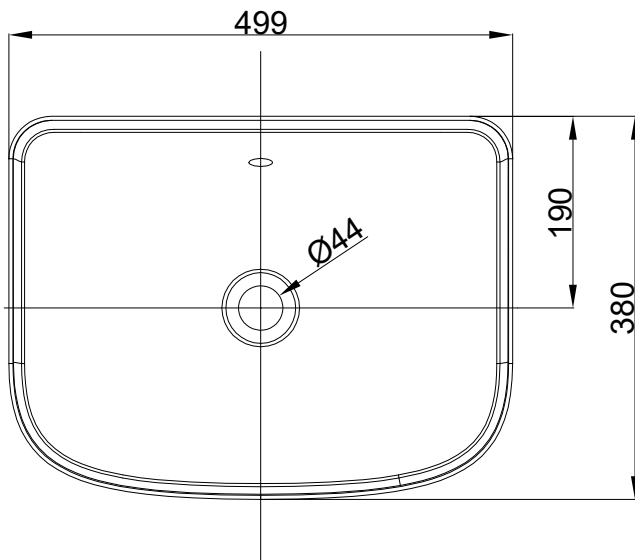
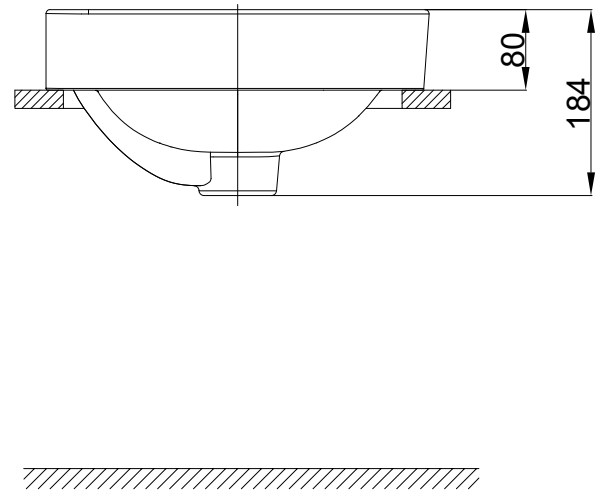
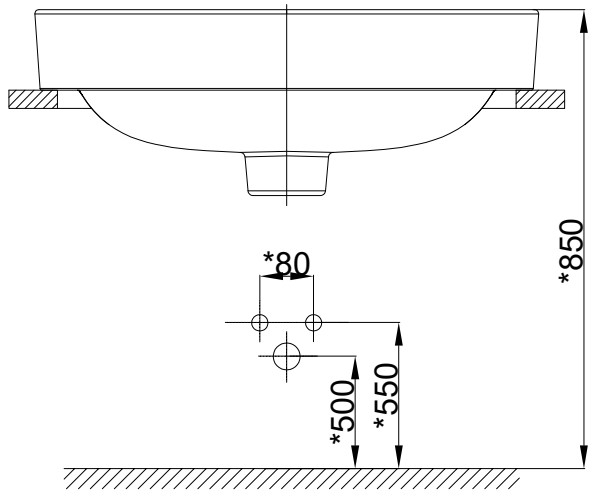
#### STANDARDS AND CERTIFICATIONS

- BS 3402 1969

1016312080

Loven

Loven Vessel 500mm EX



1016312080

Loven

Loven Vessel 500mm EX

<b>Item</b>	Description	Loven Vessel 500mm EX
<b>Installations</b>	Type	Vessel
<b>Dimensions</b>	Product (mm)	500*380*184 mm
<b>Material &amp; Color</b>	Material	Vitreous China
	Color	White Heat II
<b>Features</b>	Overflow Hole	With
	Faucet Ledge	No
<b>Components</b>	Included	NO
<b>Shipping</b>	Net Weight (kg)	10.7 kg
	Gross Weight (kg)	12.5 kg
	Product Weight (kg)	10.7 kg
	Dimensions (mm)	538x420x230 mm