

1011031C00

Loven

Loven Semi-counter Basin W550

STYLE SEGMENT

- Modern

KEY SPECIFICATIONS

- Installation Type: Semi-Counter
- Product Dimensions: 419 x 510 x 192 mm
- Material: Vitreous China
- Color: White
- Overflow Hole: With
- Faucet Ledge: Yes
- Included Components: Fixing



SHIPPING WEIGHT

- Net Weight: 16 kg
- Gross Weight: 19 kg

KEY TECHNOLOGIES AND FEATURES

HYGIENE

- Complies with American Standard Quality Standards

COMFORT

- Complies with American Standard Quality Standards

CONVENIENCE

- Complies with American Standard Quality Standards

DURABILITY

- Complies with American Standard Quality Standards

SUSTAINABILITY

- Complies with American Standard Quality Standards

SAFETY

- Complies with American Standard Quality Standards

OTHERS

- NIL

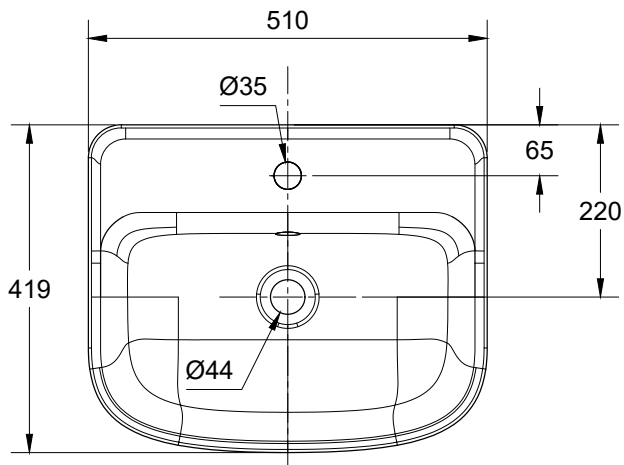
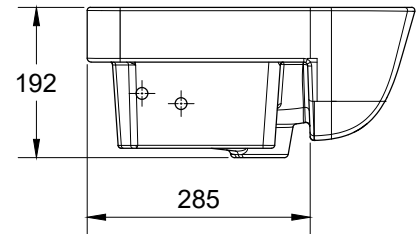
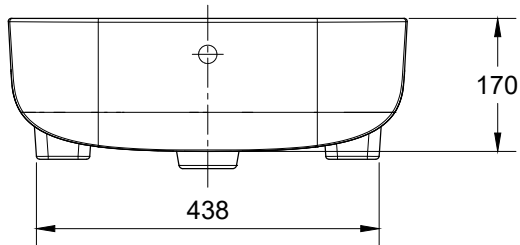
STANDARDS AND CERTIFICATIONS

- TIS 791-2001
- MS 2578-2014
- PNS 156:2010

1011031C00

Loven

Loven Semi-counter Basin W550



1011031C00

Loven

Loven Semi-counter Basin W550

Item	Description	Loven Semi-counter Basin W550
Installations	Type	Semi-Counter
Dimensions	Product (mm)	419 x 510 x 192 mm
Material & Color	Material	Vitreous China
	Color	White
Features	Overflow Hole	With
	Faucet Ledge	Yes
Components	Included	Fixing
Shipping	Net Weight (kg)	16 kg
	Gross Weight (kg)	19 kg
	Product Weight (kg)	16 kg
	Dimensions (mm)	527 x 442 x 225 mm