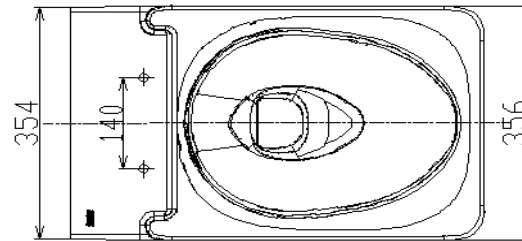
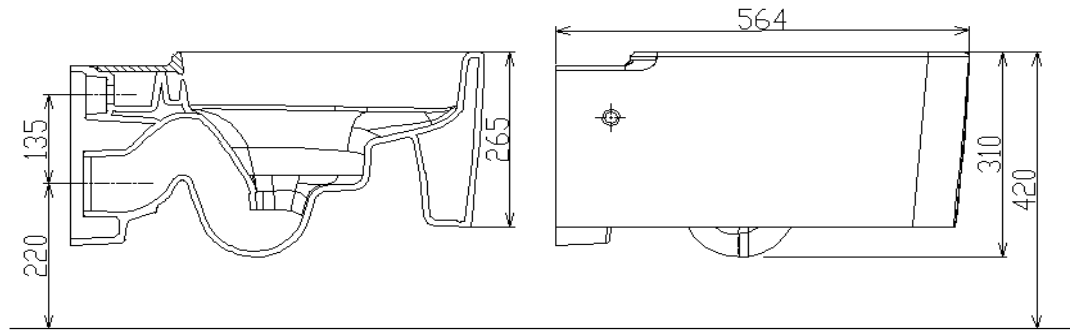


## Product Specification

Product Type	: Wall Hung Toilet
Basic dimension (L*W*H)	: Ceramic <b>L564 x W356 x H310</b> (total height)
Certification	: Certification ( Function : follow Norm checklist)
Quality Requirement	: American Standard Internal
Flushing action	: Push plate on Wall
Special flush (Platform)	: Lixil global <b>PF2</b> flush platform
Flush volume	: 3L/4.5L
Coated ceramic	: Aqua Ceramic, Comfortclean
Rimless	: Hygiene Rim
Additional glazing area	: Trap inside need Glaze
Color	: White Heat II (Asia white)
Brand Logo	: American Standard
Installation	: Side window cover, Wall hung bracket ( need to confirm)
Seat & cover	N/A
Tank trim & Flush cistern	: WDI K303 conceal tank without Frame
Roughing-In	: 220 Horizontal to wall only
Water connection	: In wall flush cistern
Water Pressure	: 0.05MPa (dynamic pressure) ~0.75MPa (static)
Package	: Carton box
Weight	: 27Kg (Ceramic 25 kg)
Material	: VC
Similar model	: NA
MFG Location	: Vinax, India Factory
Mold design	: Bank casting
Market	: India Market



QC issue	Rev.#	Desc	Creat by	Check by	Approve by	Customer:	LIXIL	
	4.0	change the dimension of ceramic (change platform)						CCAS3120-5W20410C0
						MFG:	VIETNAM	
						Develop	LIXIL Vietnam	
Code: FP-4-17-xxx	Date of issue : 12/11/2019	Ver: 4.0 draff						