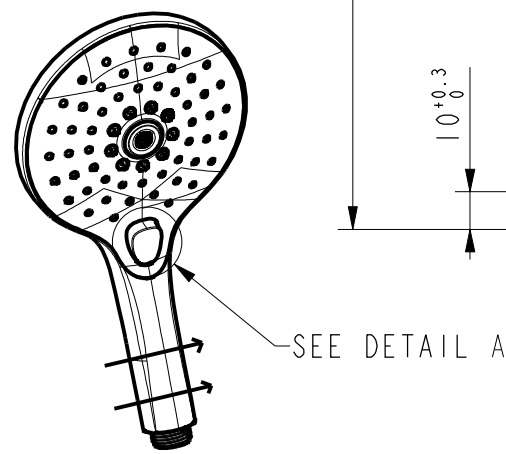
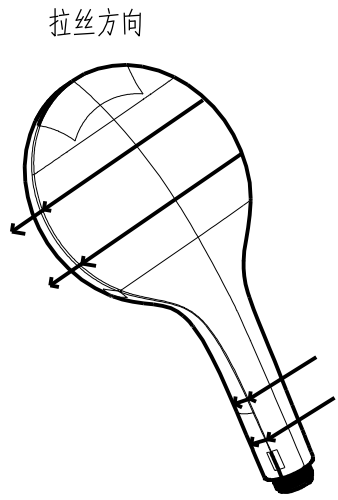
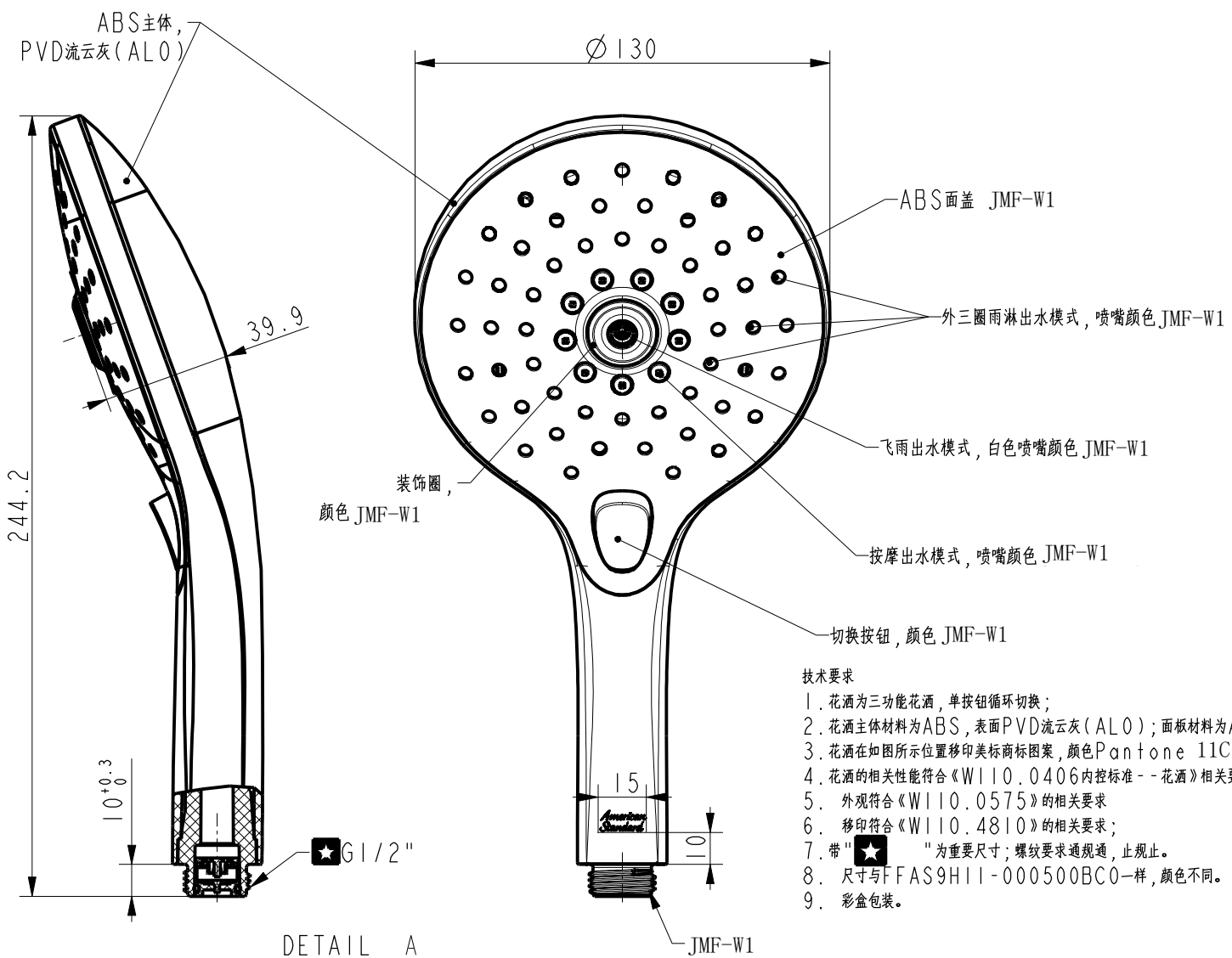


2023年3月31日
A/O

Tolerance, Unless Otherwise Stated. Is		
Above 0.5 to and including 6	6	±0.1
Excess 6 to and including 30	30	±0.2
Excess 30 to and including 120	120	±0.3
Excess 120 to and including 315	315	±0.5
Excess 315 to and including 1000	1000	±0.8
Excess 1000 to and including 2000	2000	±1.2



SCALE 0.250

DETAIL A
SCALE 0.500



技术要求

1. 花洒为三功能花洒, 单按钮循环切换;
2. 花洒主体材料为ABS, 表面PVD流云灰 (AL0); 面板材料为ABS, 表面白色;
3. 花洒在如图所示位置移印美标商标图案, 颜色Pantone 11C
4. 花洒的相关性能符合《W110.0406内控标准--花洒》相关要求;
5. 外观符合《W110.0575》的相关要求
6. 移印符合《W110.4810》的相关要求;
7. 带"★"为重要尺寸; 螺纹要求通规通, 止规止。
8. 尺寸与FFAS9H11-000500BC0一样, 颜色不同。
9. 彩盒包装。

REV	DESCRIPTION	DATE	NAME

DESIGNED	利华沃	20230321	TITLE	Hand Shower
CHECKED	<i>[Signature]</i>	2023.03.21	REF	灵控三功能手持花洒_流云灰_面板全白
APPROVED	<i>[Signature]</i>	2023.3.21.		
SCALE	MATERIAL	WEIGHT	DWG NO.	American Standard
1:2	Assembly		FFAS9H11-000AL0BFO	