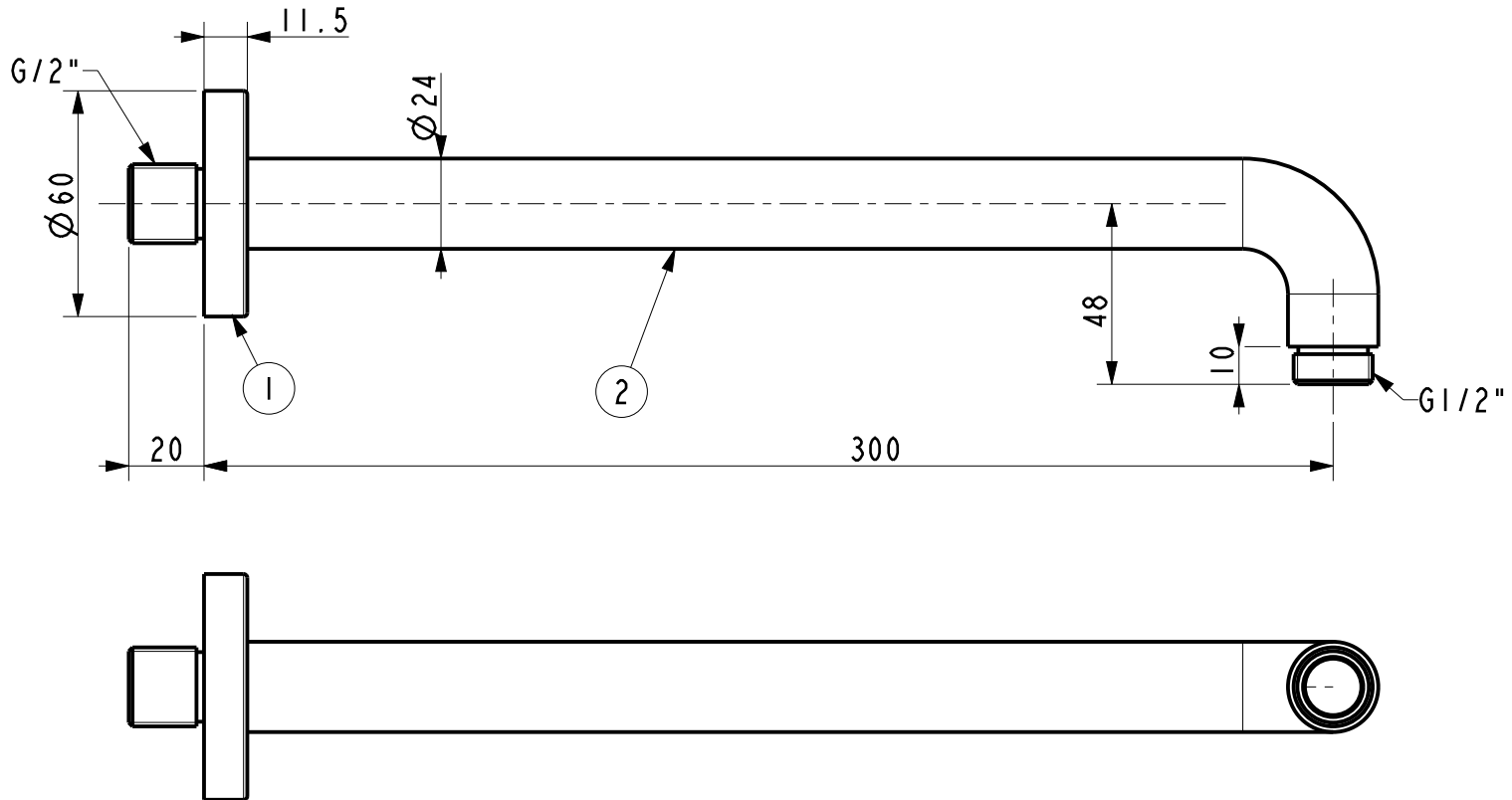


2023年1月17日

A/0

Tolerance, Unless Otherwise Stated. Is			
Above	0.5 to and including	6	±0.1
Excess	6 to and including	30	±0.2
Excess	30 to and including	120	±0.3
Excess	120 to and including	315	±0.5
Excess	315 to and including	1000	±0.8
Excess	1000 to and including	2000	±1.2



NO.	Part No.	Description	Material	QTY	Remark
2	FF1-CN521J44000272	欧泊入墙花洒臂管(亚黑色)	Hpb59-1	1	亚黑色
1	FF1-CN521F44000121	欧泊入墙花洒臂管孔罩(亚黑色)	H62	1	亚黑色

DESIGNED	2022.10.08	TITLE		
CHECKED	2022.10.8	入墙式花洒臂管(亚黑色)		
APPROVED	2022.10.8			
SCALE	MATERIAL	WEIGHT	DWG NO.	American Standard
1:2	组件		FFAS9909-000440BF0	

REV	DESCRIPTION	DATE	NAME