

FFAS0930-000A00BF0

Easysset

ConcealThermostatic Mixer with Trim_HG

STYLE SEGMENT

- Contemporary

KEY SPECIFICATIONS

- Product Description: EasySET Conceal Thermostatic Mixer
- Product Dimensions: 151 x151 x119
- Exposed/Concealed Body: Concealed
- Finish: PVD
- Flow Rate: 28.7
- Water Pressure, Dynamic (MPa): 0.5
- Water Pressure, Static (MPa): 0.5
- Max Water Temperature (°C): 43
- Excluded Components: Concealed Shower

American Standard

SHIPPING WEIGHT

- Net Weight: Contact us for more information
- Gross Weight: Contact us for more information

KEY TECHNOLOGIES AND FEATURES

HYGIENE

- Complies with American Standard Quality Standards

COMFORT

- Thermocomfort

CONVENIENCE

- SpaceCreate

DURABILITY

- Durashine

SUSTAINABILITY

- Complies with American Standard Quality Standards

SAFETY

- ThermoSafe

OTHERS

- NIL

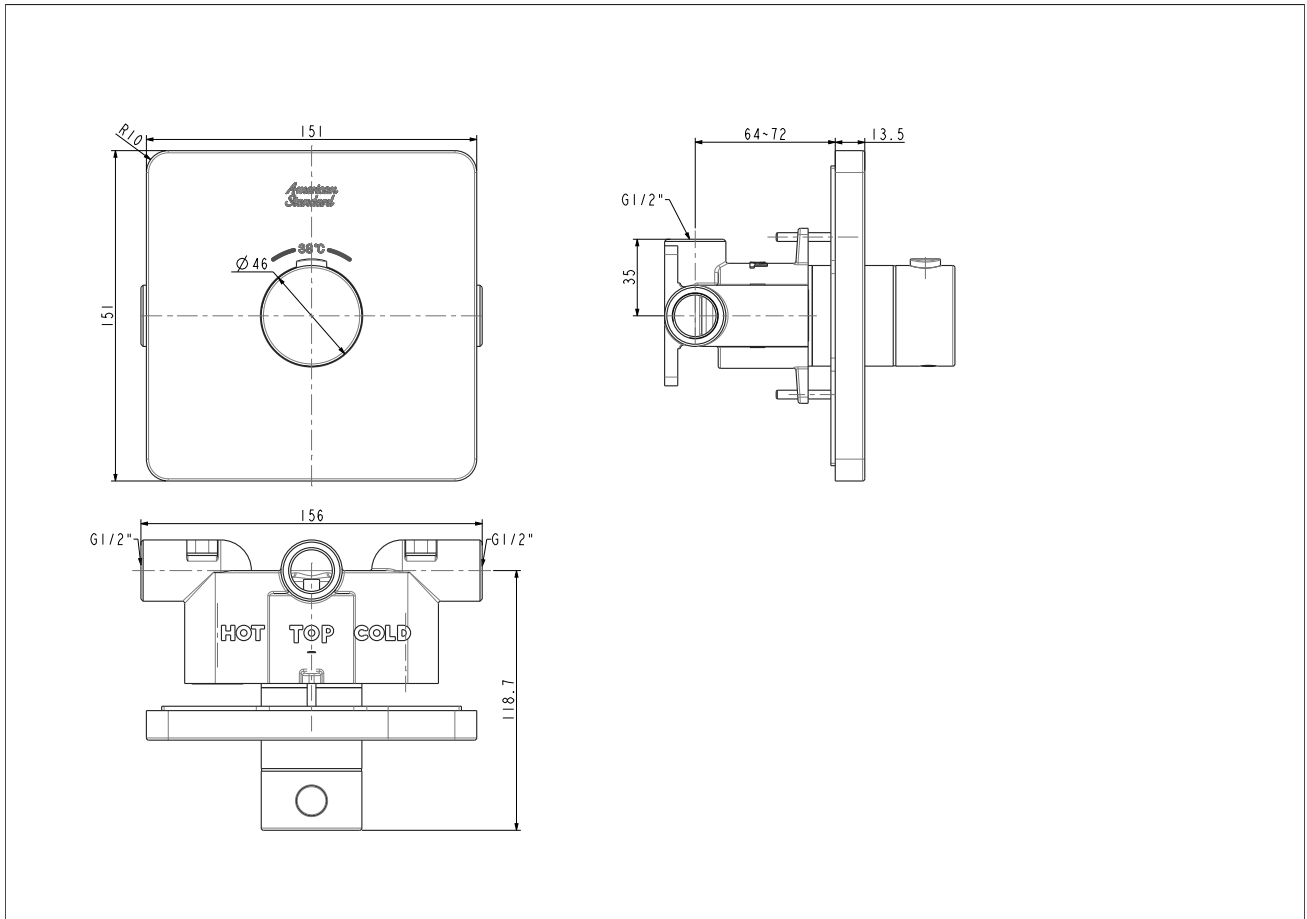
STANDARDS AND CERTIFICATIONS

- QB/T 2806-2017

FFAS0930-000A00BF0

Easysset

ConcealThermostatic Mixer with Trim_HG



FFAS0930-000A00BF0

Easysset

ConcealThermostatic Mixer with Trim_HG

Product	Description	EasySET Conceal Thermostatic Mixer
	Weight (kg)	1.9
	Dimensions (mm)	151 x151 x119
	Finish	PVD
	Flow Rate	28.7
	Material	Zinc Die Cast
Body	Exposed/Concealed	Concealed
Water Pressure	Dynamic (MPa)	0.5
	Static (MPa)	0.5
Max Water Temperature	Temperature (°C)	43
Components	Included	N/A
	Excluded	Concealed Shower