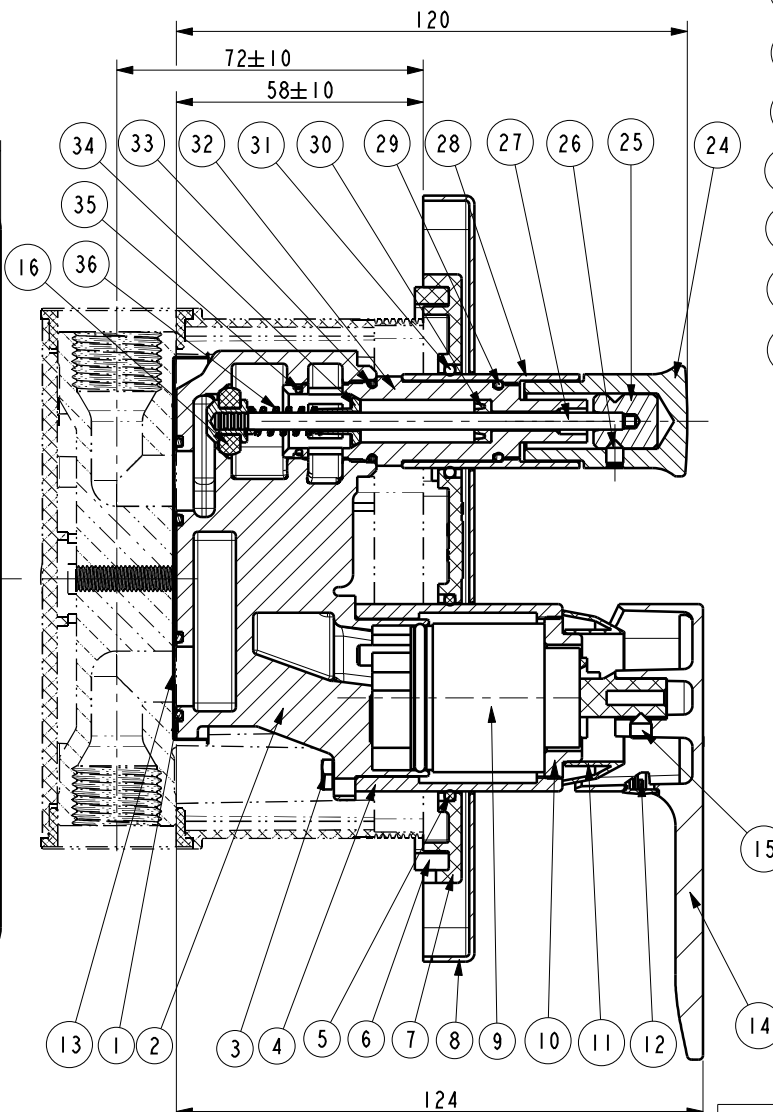
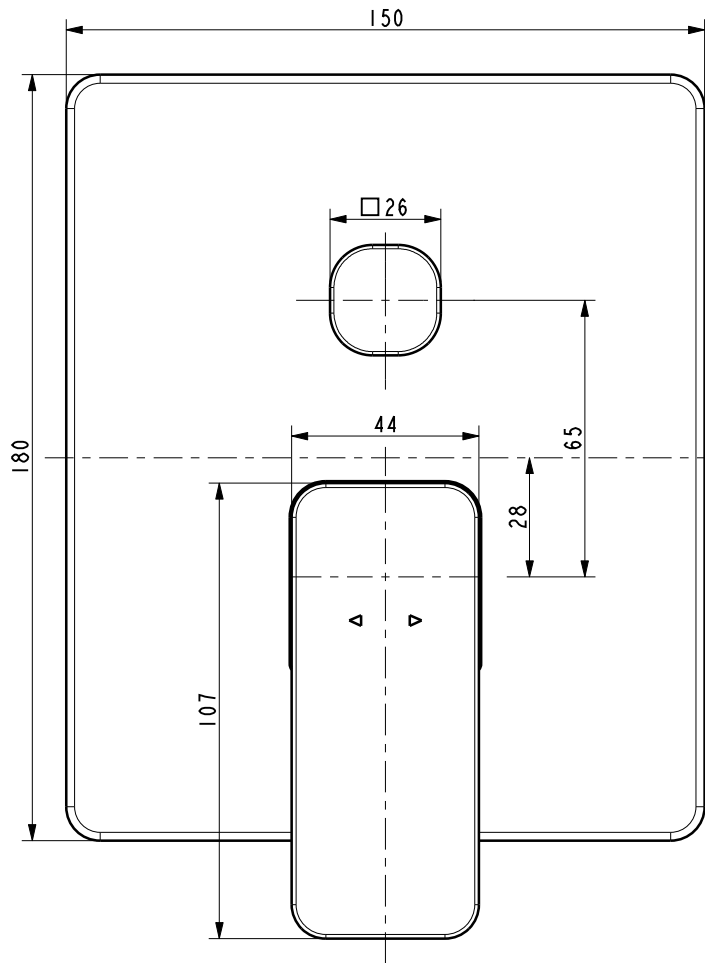
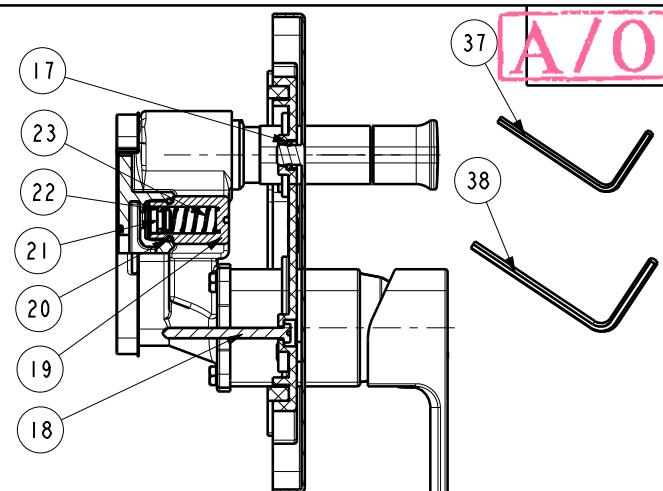


Tolerance, Unless Otherwise Stated, Is		
Above 0.5 to and including 6	±0.1	
Excess 6 to and including 30	±0.2	
Excess 30 to and including 120	±0.3	
Excess 120 to and including 315	±0.5	
Excess 315 to and including 1000	±0.8	
Excess 1000 to and including 2000	±1.2	



SECTION A-A



SECTION B-B
SCALE 0.500

38	FF1-CNS21Z00000254	In-Hex Wrench	1	Q235-A	
37	FF1-CNS21Z00000253	Hex Wrench (2.0)	1	Q235-A	
36	FF1-CNS21Z00000178	Diverter S/A Spring	1	SUS304	
35	FF1-CNS21G00000113	O-Ring 13.5*1.5	1	NER	
34	FF1-CNS21Z00000441	GUIDE	1	POM	
33	FF1-CNS21G00000257	O-Ring15.6*1.78	1	NER	
32	FF1-CNS21J00000045	Diverter Seat	1	HPb59-1	
31	FF1-CNS21G00000365	Sealing Ring	1	NER	
30	FF1-CNS21G00000354	H-PACKING	1	NER	
29	FF1-CNS21G00000110	O-Ring 714* 2	1	NER	
28	FF1-CNS21JM000555	Bushing	1	HPb59-1	
27	FF1-CNS21J000000077	CYLINDRICAL PIN	1	Assembly	
26	FF1-CNS21H00000128	Screw M4*0.7	1	SUS304	
25	FF1-CNS21J00000158	Diverter Adapter	1	HPb59-1	
24	FF1-CNS21LA000194	Handle	1	ZnAl4-1	
23	FF1-CNS21Z00000172	Diverter Spring	2	SUS304	
22	FF1-CNS21G00000322	DIVERT SPINDLE	2	NER	
21	FF1-CNS21J00000360	Piston	2	HPb59-1	
20	FF1-CNS21G00000268	O-Ring(Φ11.2*2.0)	2	NER	
19	FF1-CNS21J00000359	Cylinder	2	HPb59-1	
18	FF1-CNS21H00000240	Srew	4	SUS304	
17	FF1-CNS21G00000231	O-Ring(TX2)	4	NER	
16	FF1-CNS21G00000347	RUBBER GASKET, N	1	NER	
15	FF1-CNS21H00000228	Screw m5*6	1	SUS304	
14	FF1-CNS21LA000191	Handle	1	ZnAl4-1	
13	FF1-CNS21K00000037	Body Sheath	1	PVC	
12	FF1-CNS21Z00000086	Index Button	1	PA	
11	FF1-CNS21F000404LP	Cover	1	ABS	
10	FF1-CNS21H000000091	Lock Nut	1	HPb59-1	
9	FF1-CNS21C00000018	Screw m5*6	1	Assembly	
8	FF1-CNS21FAL000279	cover	1	H62	
7	FF1-CNS21F00000277	Fixing Plate	1	ABS	
6	FF1-CNS21K00000034	Foam Washer	1	E.V. A	
5	FF1-CNS21G00000364	Sealing Ring	1	NER	
4	FF1-CNS21JAL000554	Bushing	1	HPb59-1	
3	FF1-CNS21Z00000193	Hex head bolt M4X10	4	SUS304	
2	FFZ20621-60850EDMC	Body	1	GhMs60Fk	
1	FF1-CNS21G00000152	O Ring 16*2 (612145)	4	NER	

No.	Part No.	Part Name	Qty	Material	Finish
DESIGNED	利华沃	20221221	TITLE For Universal Box		
CHECKED	<i>[Signature]</i>	2022.12.21	REF Acacia E Concealed BnS Main Mixing Valve_Bushed Hard Graphite		
APPROVED	<i>[Signature]</i>	2022.12.21			
SCALE	MATERIAL	WEIGHT	DWG NO. FFAS1321-608AL0BFO		
4:5			American Standard		

REV	DESCRIPTION	DATE	NAME