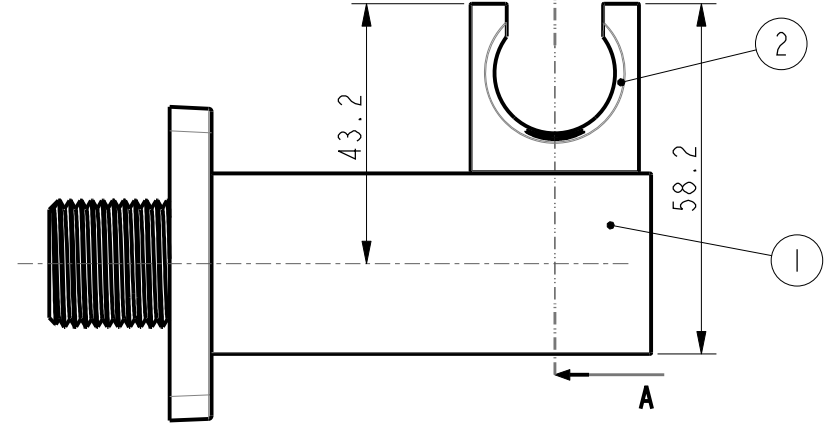
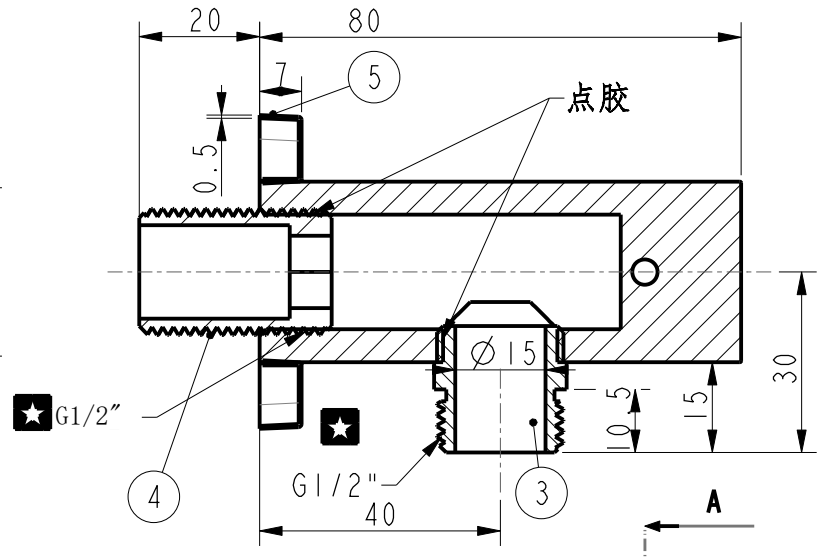
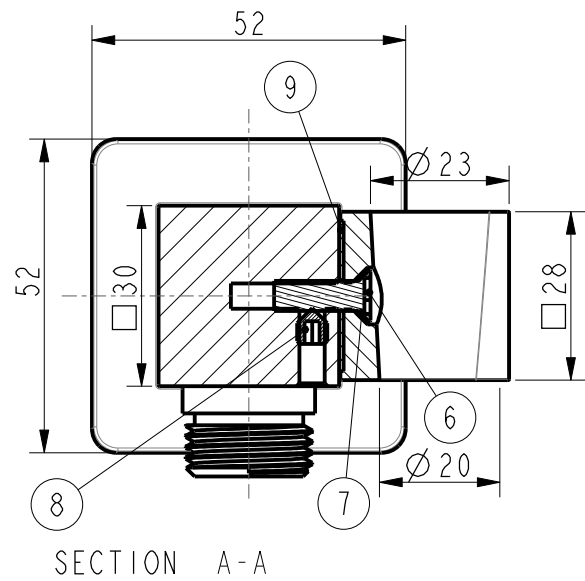
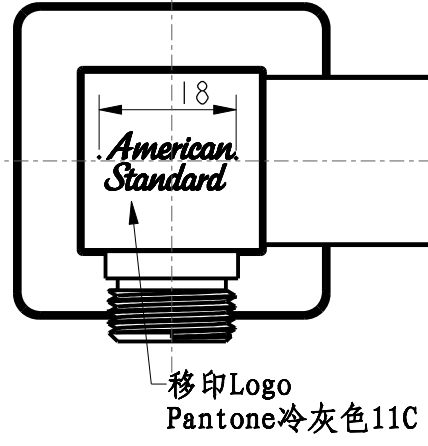


2023年3月31日
A/O

| Tolerance, Unless Otherwise Stated, Is | | |
|--|------|--|
| Above 0.5 to and including 6 | ±0.1 | |
| Excess 6 to and including 30 | ±0.2 | |
| Excess 30 to and including 120 | ±0.3 | |
| Excess 120 to and including 315 | ±0.5 | |
| Excess 315 to and including 1000 | ±0.8 | |
| Excess 1000 to and including 2000 | ±1.2 | |



| 序号 | 名称 | 材料 | 数量 | 备注 |
|----|------|---------|----|-----|
| 9 | 垫片 | PA66 | 1 | 白色 |
| 8 | M5螺钉 | SUS304 | 1 | |
| 7 | 尼龙衬套 | PA66 | 1 | 白色 |
| 6 | 十字螺钉 | SUS304 | 1 | |
| 5 | 装饰盖 | HPB59-1 | 1 | 流云灰 |
| 4 | 连接接头 | HPB59-1 | 1 | |
| 3 | 出水接头 | HPB59-1 | 1 | 流云灰 |
| 2 | 花洒支座 | HPB59-1 | 1 | 流云灰 |
| 1 | 墙座主体 | HPB59-1 | 1 | 流云灰 |

- 技术要求
- 移印美标商标图案,位置如图示,字长18mm,颜色Pantone冷灰色11C;
 - 墙出接头需能承受6Kg气压1分钟,无渗漏;
 - 美标彩盒包装,一个内盒装一个产品,一个外箱可以装多个内盒,但外箱总重量不得超过20Kg;
 - 带"★"为重要尺寸;螺纹要求通规通,止规止;
 - 颜色零件符合《WI10.0575_PVD外观检验标准》
 - 移印符合《WI10.4810_移印检验标准》
 - 产品与现有成品FFAS9143-000500BC0尺寸相同,颜色不同。

| | | | |
|----------|--------------------|------------|-------------------------|
| DESIGNED | 利华沃 | 20230321 | TITLE |
| CHECKED | <i>[Signature]</i> | 2023.03.21 | REF |
| APPROVED | <i>[Signature]</i> | 2023.3.21. | 入墙方形手持花洒接头带花洒支座 _流云灰 |
| SCALE | MATERIAL | WEIGHT | DWG NO. |
| 1:1 | | | FFAS9143-000ALOBFO |

| REV | DESCRIPTION | DATE | NAME |
|-----|-------------|------|------|
| | | | |

American Standard