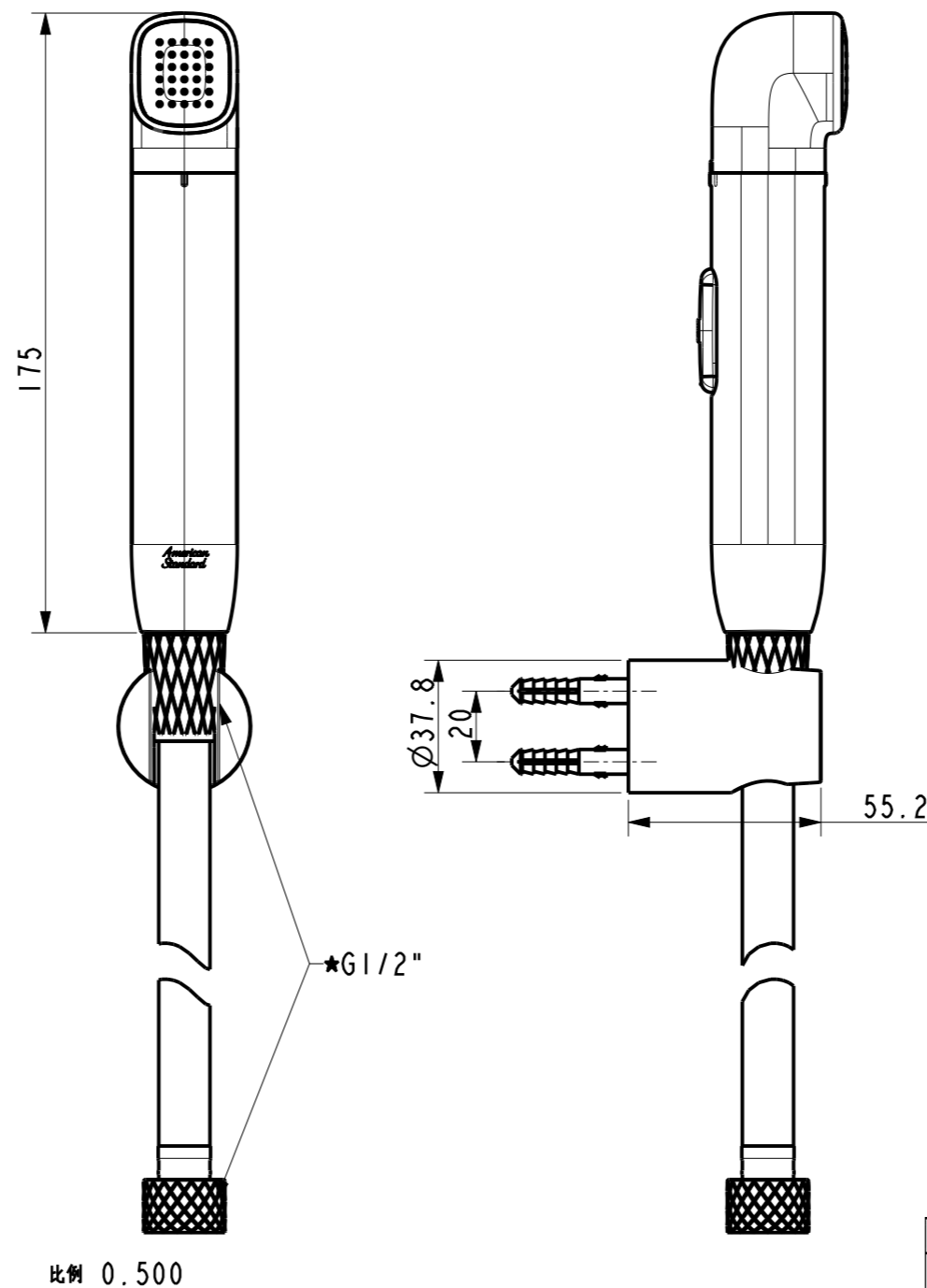
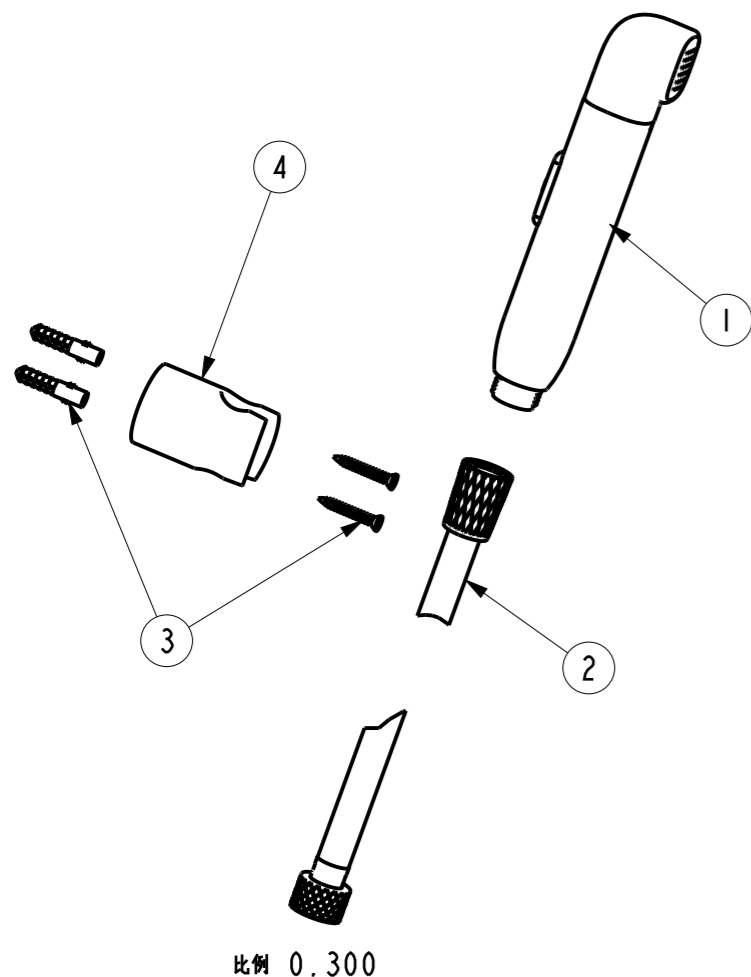


Tolerance, Unless Otherwise Stated, Is			
Above	0.5 to and including	6	±0.1
Excess	6 to and including	30	±0.2
Excess	30 to and including	120	±0.3
Excess	120 to and including	315	±0.5
Excess	315 to and including	1000	±0.8
Excess	1000 to and including	2000	±1.2



技术要求

- 零件外观清洁, 不得有尖锐棱角、碰划伤、披风等缺陷, 具体参看标准《W110.6264》的要求;
- 耐腐蚀性符合AASS, 24H, 10级;
- 螺纹表面不应有断牙、裂痕等明显缺陷、连接螺纹G1/2'' 通规通, 止规止;
- 流量: 在动压0.1Mpa下, $2 \leq Q \leq 6L/Min$;
- 密封性能(喷枪组件)
 - 在17.5bar 静压下, 保持喷枪关闭60S不泄漏;
 - 在5bar 动压下切换按钮开关无泄漏;
 - 在0.5bar 动压下切换按钮开关无泄漏;
- 寿命(喷枪组件) 10万次
试验过程中零件无断裂、卡顿、泄漏等现象
试验完成后密封性能满足5的要求
- (0.6 ± 0.02)Mpa压力下, 按钮操作力 $\leq 40N$;
- 喷枪的其他要求符合《W110.6264》的要求;
- 带"★"为重点尺寸。

No.	Part No.	Part Name	Material	QTY	Remark
4	FF1-CN521T00099GLP	防缠绕PVC软管-1.2M (喜悦金)	Assembly	1	GL0
3	FF1-CN521X00000012	1581742899\十字盘头自攻螺钉组件	Assembly	1	
2	FF1-CN521HGL000058	睿欧浴缸花洒支架 (喜悦金)	Assembly	1	GL0
1	FF1-CN521H00076GLP	双功能小精灵喷枪 (喜悦金)	Assembly	1	GL0+Glossy White

DESIGNED	李爽	2023.12.5	TITLE	DuoStiX Hygiene Spray_GLO
CHECKED	段光政	2023.12.5	REF	
APPROVED	李爽	2023.12.5		双功能小精灵喷枪 (喜悦金)
SCALE	MATERIAL	WEIGHT	DWG NO.	
0.5			FFASTS28-000GLOBF0	American Standard

REV	DESCRIPTION	DATE	NAME