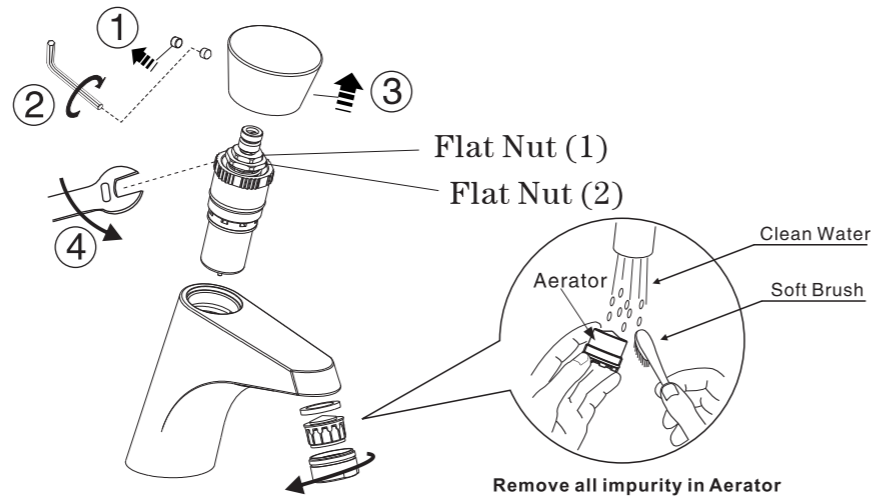


## Trouble Shooting Guide

Trouble	Checkpoint	Contents	Action
Poor flow rate	Aerator	Check any impurities.	Remove all impurities.
	Water supply valve	Check valve position.	Open it to full valve
	Flexible hose	Check if hose is twisted.	Untwist the hose.
Leakage	Cartridge packing	Check cartridge install.	When packing is damaged, replace the cartridge.
	Hose junction	Check the connection.	Check the existence of packing and wind it up sufficiently
Deviant Temperature	Water supply valve	Check if the water from supply valve is enough or not	Increase water supply

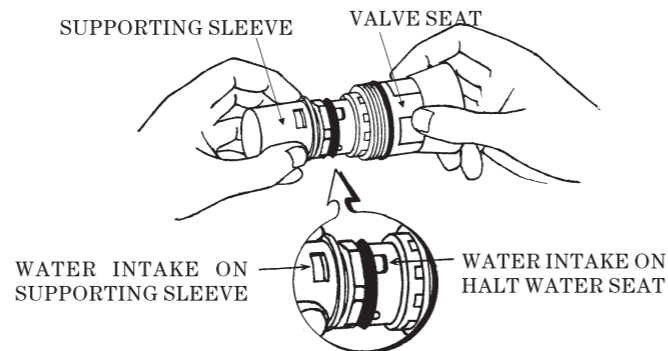
## Care & Maintenance

\* If you want to do the maintenance for the faucet, please follow the below process.  
\* Before maintenance, please shut off the water supply system.



### \* Water Supply Adjustment

~ Shut off water supply valve.  
~ Pull out the VALVE SEAT using soft-jaw wrench, take out the SUPPORTING SLEEVE. Select one appropriate position for water intake on the HALT WATER SEAT, make the water intake on the HALT WATER SEAT level the water intake on the SUPPORTING SLEEVE, then push the SUPPORTING SLEEVE into the HALT WATER SEAT (make the two holes overlap), like Diagram. Note: The larger is the water intake on the HALT WATER SEAT, the more is the water flow. (The water flow changes, so does the water flow time).

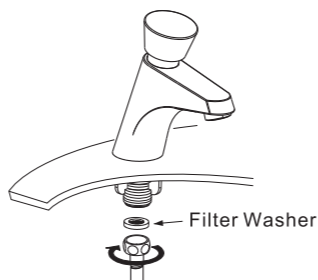


### \* Time Adjustment

Take out the index button with thin edge. Loose the screw and the handle. Loose the FLAT NUT (1) on the top. Adjust the position of FLAT NUT (2) at the bottom. Down screw the FLAT NUT is to shorten the time of water flow, whereas, to lengthen the time. When the position has been adjusted, make the two FLAT NUT close to each other. At last, re-install the handle, screw and the index button.

### \* Maintenance

The impurities will amass in the faucet after a long time using if the supplied water is not pure enough. In this case, the function of the faucet will be affected. So clean the faucet with below steps:  
~ Shut off water supply valve.  
~ Take out the FILTER WASHER.  
~ Clean the FILTER WASHER.  
~ Screw on the VALVE SEAT, and open the water supply.

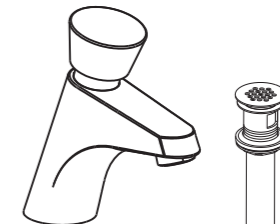


**Attention:**  
Please leave the manual to the customer after installation is finished.

**A-2420** (FFAS4609-1T1500BT0)  
Metered Faucet  
**FFAS4609-101500BF0**  
Metered Faucet

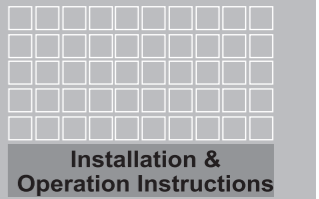


A-2420 (FFAS4609-1T1500BT0)



FFAS4609-101500BF0

*American Standard*



**Thank you for selecting American-Standard - the benchmark of fine quality for over 100 years.**  
**To ensure that your installation proceeds smoothly--please read these instructions carefully before you begin.**

\* American Standard always keep raising and improving the product design and performance, and reserve the right to modify the dimension and specification. At this case, we will not inform you separately.  
\* This installation instruction sheet is for your reference only, the dimension and specification is subject to the actual products.

## Pre-Installation Checks

**All instruction procedures must comply in strict accordance with applicable local plumbing and building codes**

\* Remove all impurity in pipes before beginning to avoid clogging. Connect faucet pipes correctly.  
\* Check installation distances in the Dimension diagram to ensure correct installation.

### Conditions for use

\* water pressure condition: 0.1~0.5Mpa. (Recommended: 0.3Mpa)  
\* Environment Temperature: 1~55°C  
\* Steam is not allowed to use.

**When in the process of installation, grab the whole body. Do not grab handle only.**

## Recommended Tools and Materials



Adjustable Wrench



Screwdriver



Tape Measure



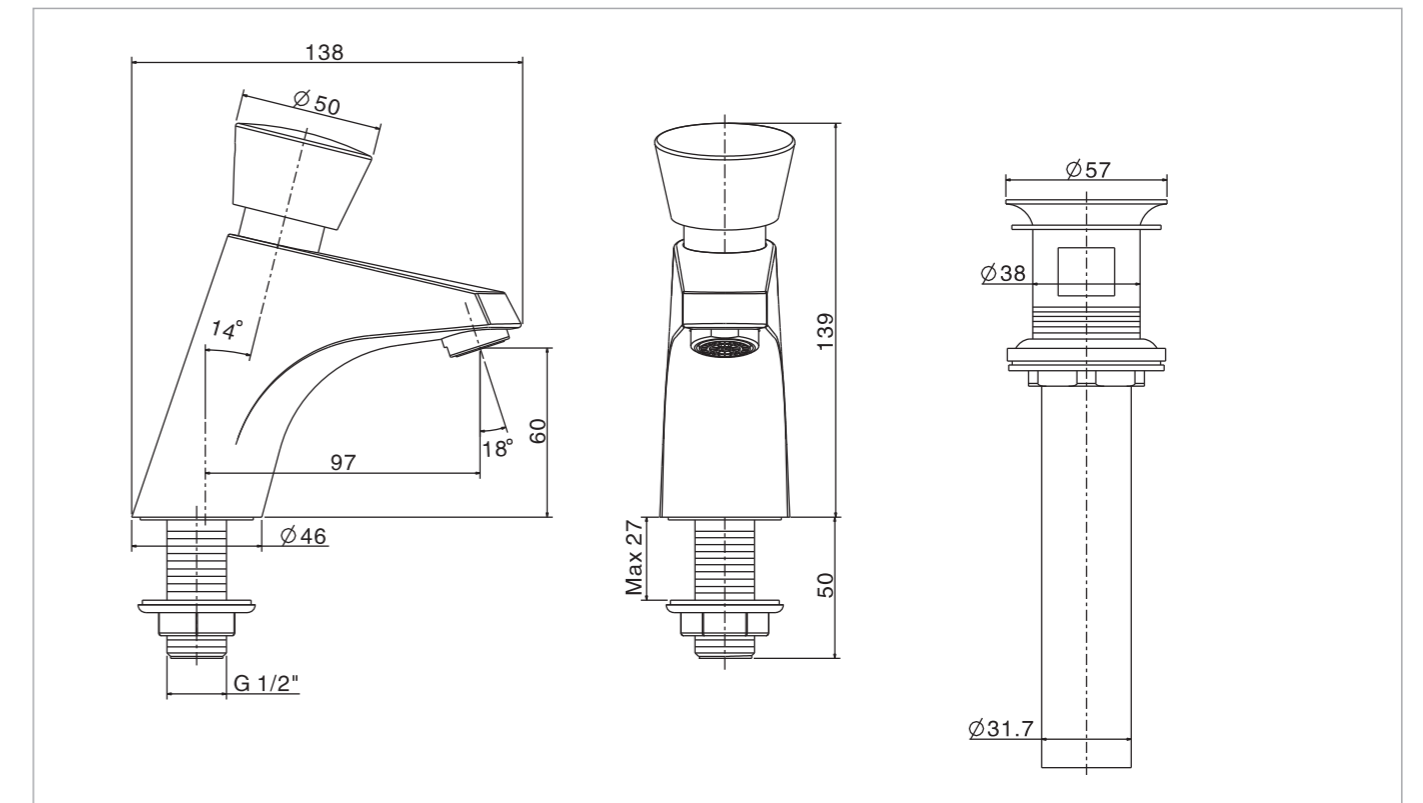
Windtight Swathe



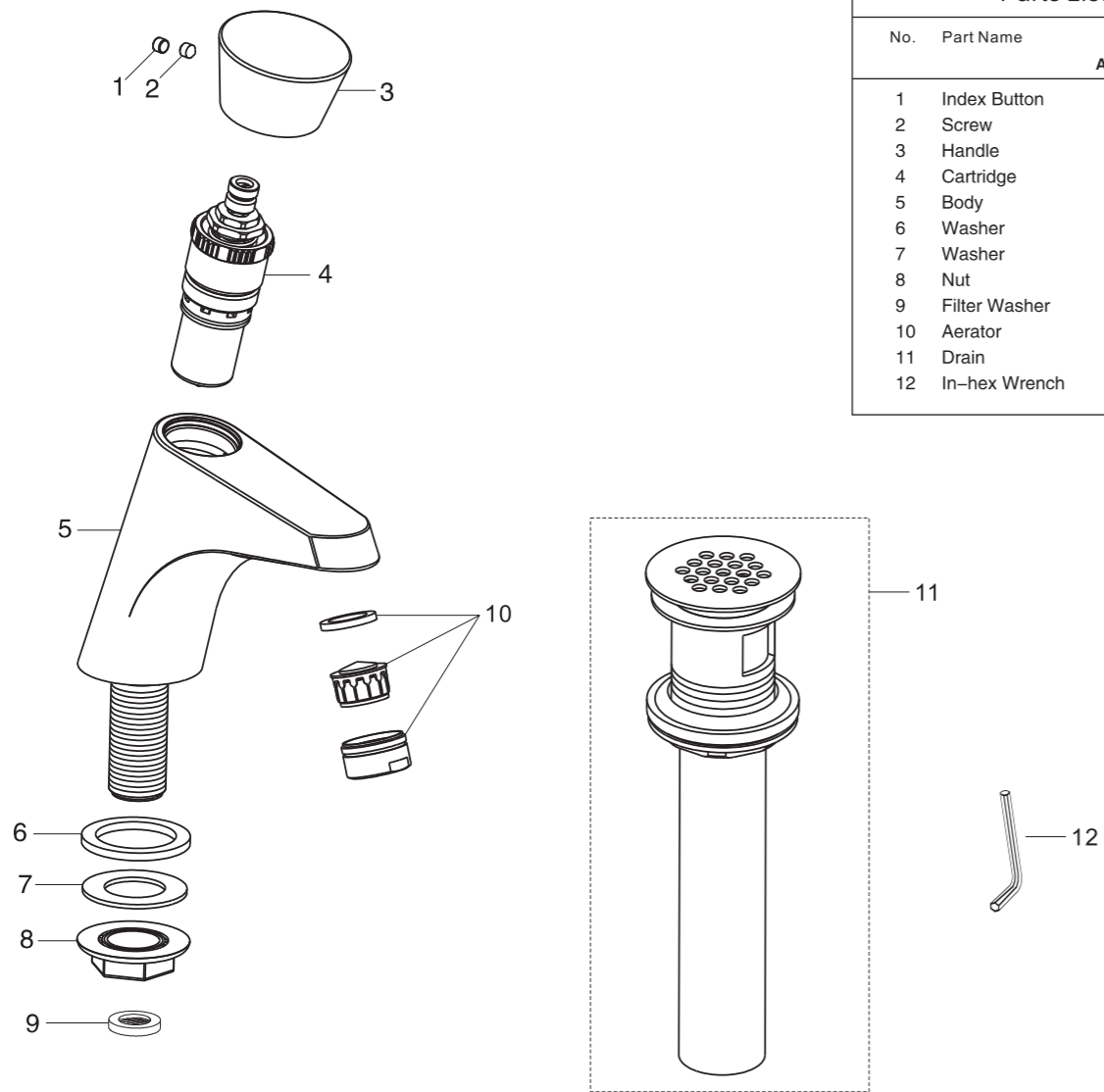
Pencil

## Dimension

Unit: mm

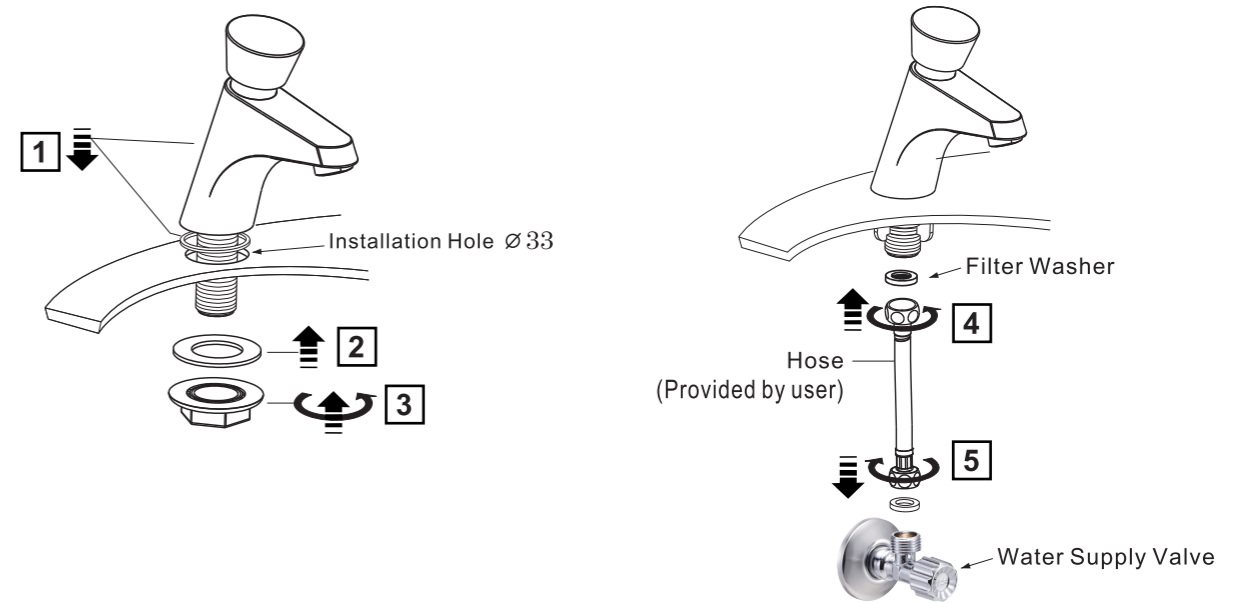


## Parts List

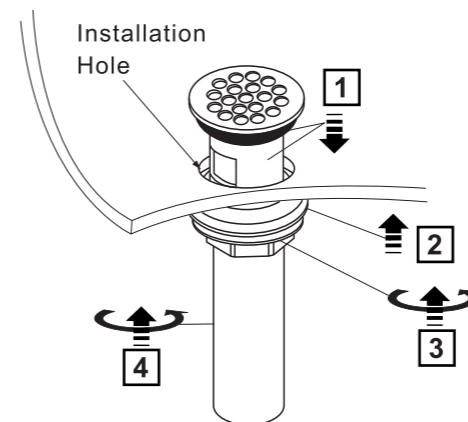


Parts List				
No.	Part Name	Q'ty		
		A-2420	FFAS4609	
1	Index Button	1	1	
2	Screw	1	1	
3	Handle	1	1	
4	Cartridge	1	1	
5	Body	1	1	
6	Washer	1	1	
7	Washer	1	1	
8	Nut	1	1	
9	Filter Washer	1	1	
10	Aerator	1	1	
11	Drain	0	1	
12	In-hex Wrench	1	1	

## 2 Installing the Faucet

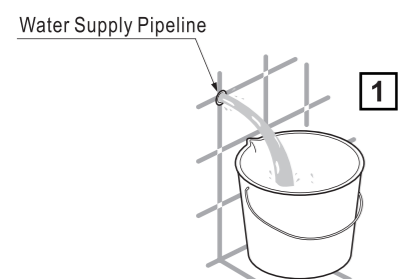


## 3 Installing the Pop-up Drain

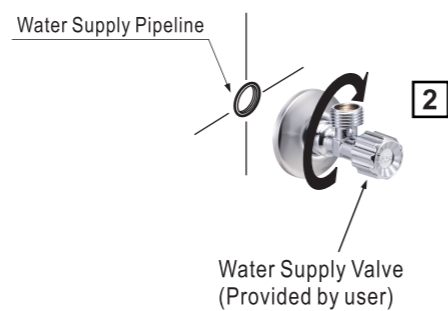


## Installation

### 1 Preparation



- \* Consult the dimension drawing and lay the pipes.
- \* Wash and clean the water supply pipeline.



## Test / Usage

### 1 Test

- \* Turn on supply angle valve to check all connections for leak.
- \* Open handle, Check the flush water lines thoroughly.

### 2 Usage

