

Trouble Shooting Guide

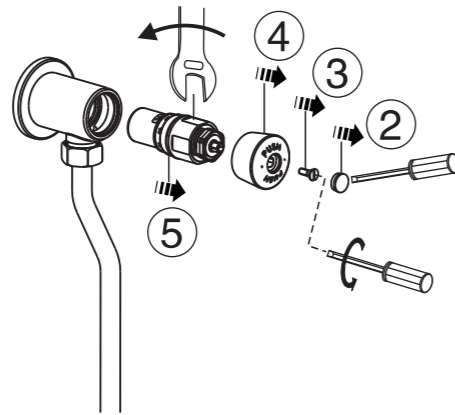
Trouble	Checkpoint	Contents	Action
Poor flow rate	Water Supply Valve	Check if the water from Supply valve is enough or not	Increase water supply
Leakage	Cartridge packing	Check cartridge install.	When packing is damaged, replace the cartridge.

Care & Maintenance

* If you want to do the maintenance for the faucet, please follow the below process.

①

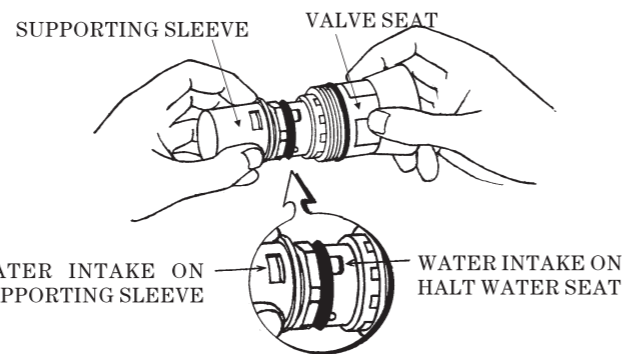
1. Close the Water Supply System



* Water Supply Adjustment

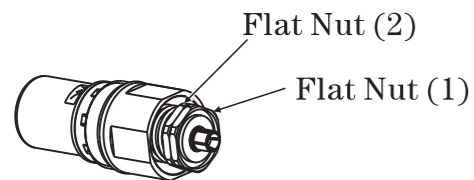
~ Shut off water supply valve.

~ Pull out the VALVE SEAT using soft-jaw wrench, take out the SUPPORTING SLEEVE. Select one appropriate position for water intake on the HALT WATER SEAT, make the water intake on the HALT WATER SEAT level the water intake on the SUPPORTING SLEEVE, then push the SUPPORTING SLEEVE into the HALT WATER SEAT (make the two holes overlap), like Diagram. Note: The larger is the water intake on the HALT WATER SEAT, the more is the water flow. (The water flow changes, so does the water flow time).

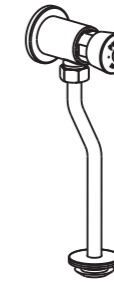


* Time Adjustment

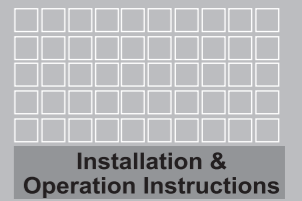
Take out the index button with thin edge. Loose the screw and the handle. Loose the FLAT NUT (1) on the top. Adjust the position of FLAT NUT (2) at the bottom. Down screw the FLAT NUT is to shorten the time of water flow, whereas, to lengthen the time. When the position has been adjusted, make the two FLAT NUT close to each other. At last, re-install the handle, screw and the index button.



FFAS9859-000500BF0 Manual Urinal Flush Valve



American Standard



Thank you for selecting American-Standard - the benchmark of fine quality for over 100 years.

To ensure that your installation proceeds smoothly--please read these instructions carefully before you begin.

* American Standard always keep raising and improving the product design and performance, and reserve the right to modify the dimension and specification. At this case, we will not inform you separately.

* This installation instruction sheet is for your reference only, the dimension and specification is subject to the actual products.

Pre-Installation Checks

All instruction procedures must comply in strict accordance with applicable local plumbing and building codes

* Remove all impurity in pipes before beginning to avoid clogging. Connect valve pipes correctly.

* Check installation distances in the Dimension diagram to ensure correct installation.

Conditions for use

* Water pressure condition: 0.05~0.75MPa (Recommended: 0.1~0.5MPa)

* Environment Temperature: 1~55 °C

* Steam is not allowed to use.

Recommended Tools and Materials



Adjustable Wrench



Screwdriver



Tape Measure



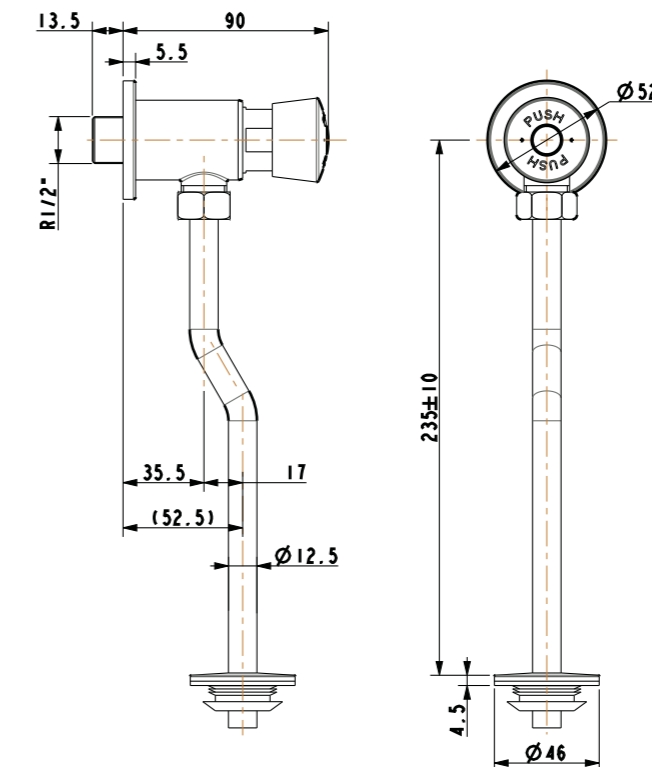
windtight swathe



Pencil

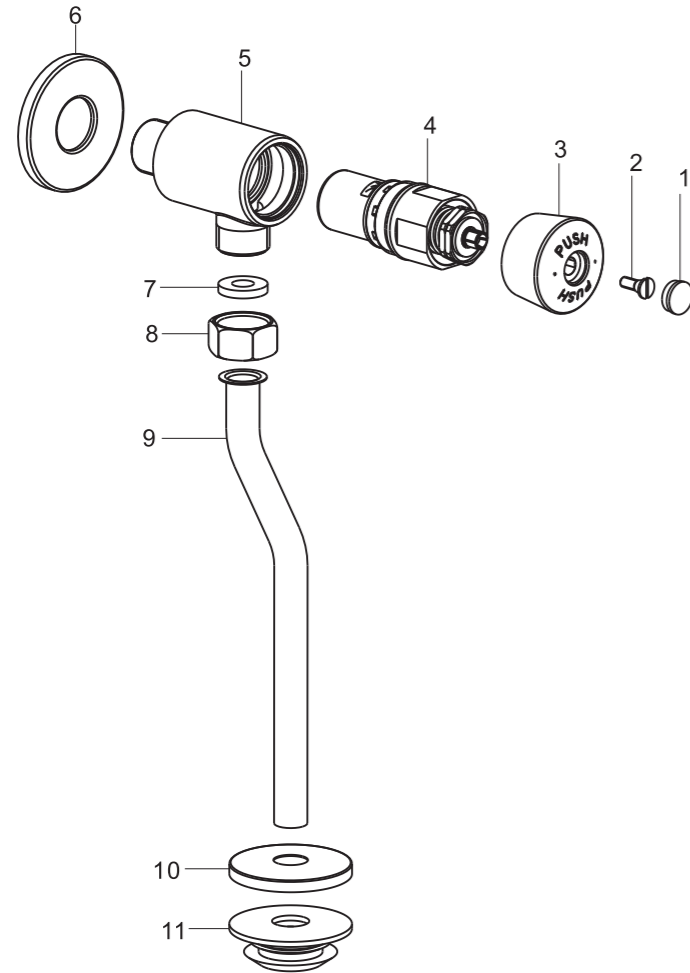
Dimension

Unit: mm



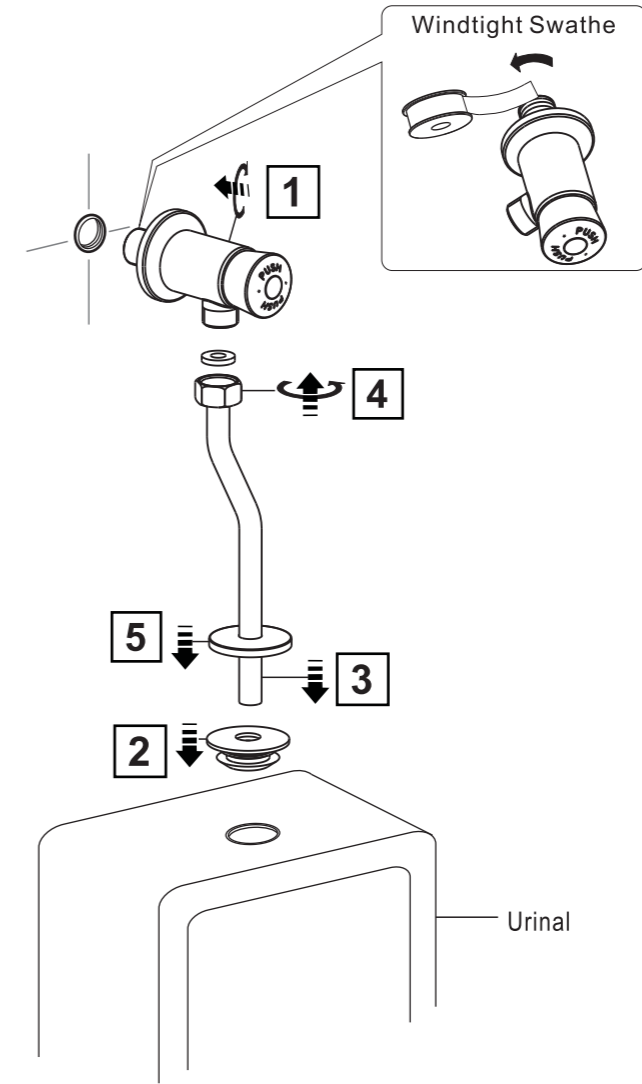
Attention:
Please Leave the manual with the customer after installation is finished.

Parts List



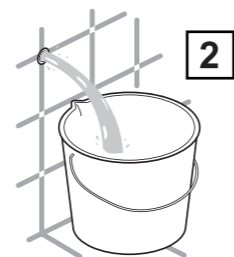
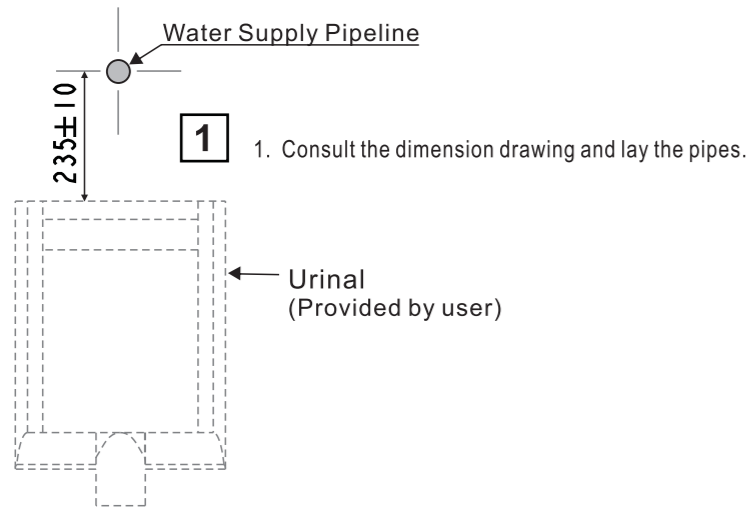
Parts List		
No.	Part Name	Q'ty
1	Index Button	1
2	Screw	1
3	Handle	1
4	Cartridge	1
5	Body	1
6	Escutcheon	1
7	Washer	1
8	Nut	1
9	Pipe	1
10	Escutcheon	1
11	Washer	1

2 Installing the Flush Valve



Installation

1 Preparation



2. Wash and clean the water supply pipeline.

Test / Usage

1 Test

- * Turn on supply angle valve to check all connections for leak.
- * Open handle, Check the flush water lines thoroughly.

2 Usage

