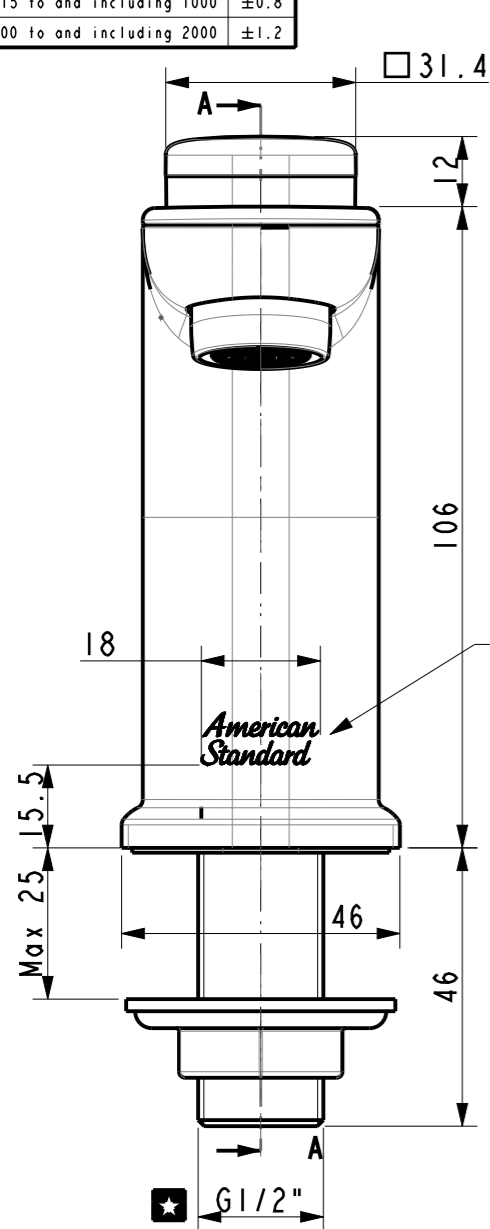
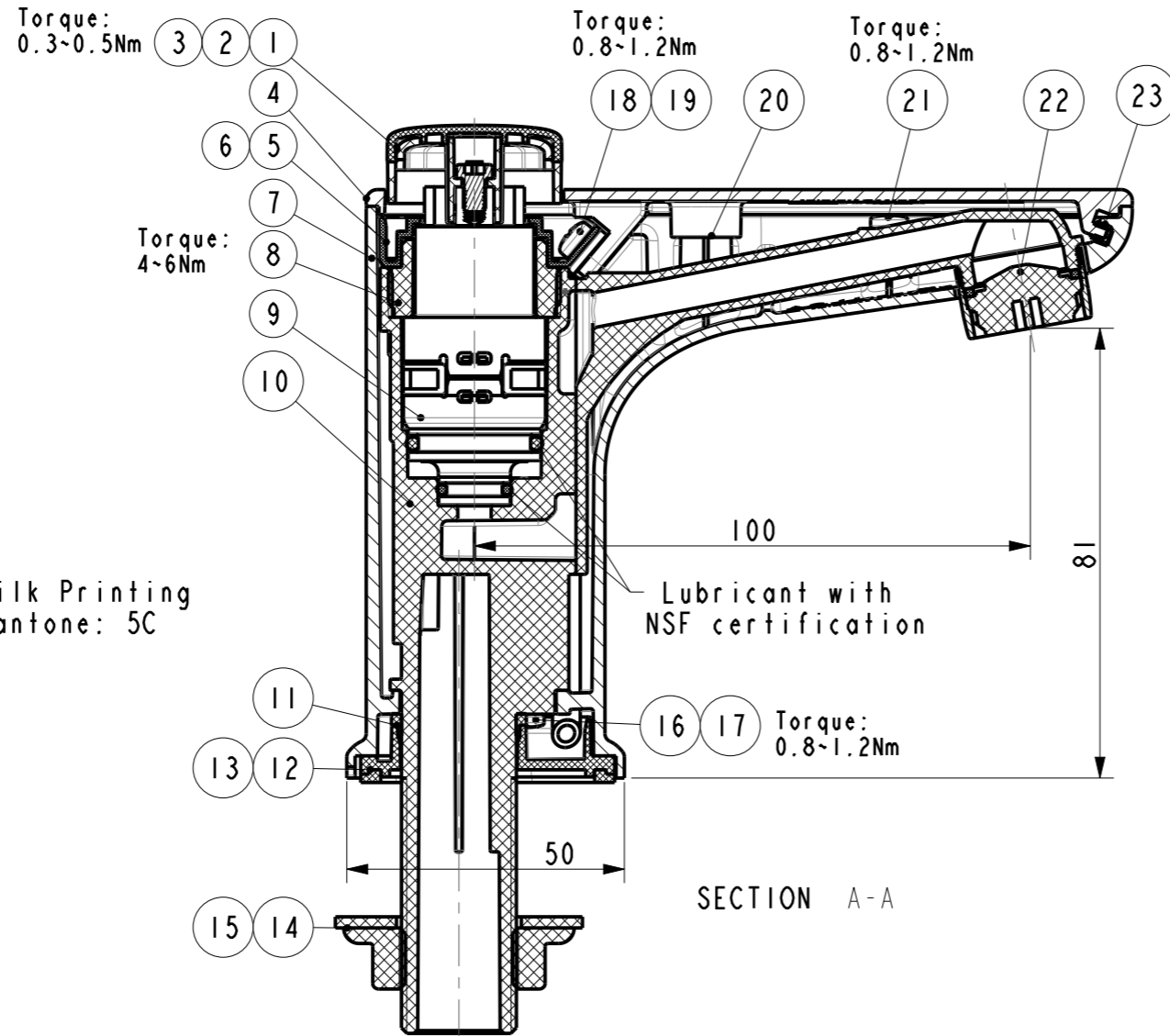


Tolerance, Unless Otherwise Stated, Is			
Above	0.5 to and including	6	±0.1
Excess	6 to and including	30	±0.2
Excess	30 to and including	120	±0.3
Excess	120 to and including	315	±0.5
Excess	315 to and including	1000	±0.8
Excess	1000 to and including	2000	±1.2

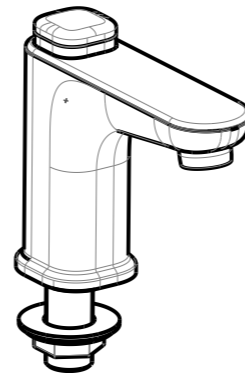


Silk Printing
Pantone: 5C

American
Standard



SECTION A-A



SCALE 0.300

技术要求:

1. 带"★"符号的尺寸为重要尺寸。
2. 产品组装后其所有性能须符合标准《WI10.0507》的规定。
3. 耐腐蚀性要求: AASS, 24H, 10级。
4. 其他外观要求须符合标准《WI10.0589》的规定。
5. 产品采用彩色纸盒包装。

Requirement:

1. The dimension with "★" symbol is critical dimension.
2. The product can meet <WI10.0507>.
3. Anti-corrosion performance: AASS, 24H, Grade 10.
4. Other surface performances are following <WI10.0589>.
5. The product is used with color package.

No.	Part Code	Part Des. (EN)	Qty.	Material	Remark
23	FF1-CN521J0023999R	Lining	1	NBR	
22	FF1-CN521A0002350B	Aerator M22x1(Shorty)	1	Brass + POM + EPDM	CP
21	FF1-CN521N00000236	Screw M4*6	2	SUS304	
20	FF1-CN521G00000250	O-Ring 5*2	2	NBR	
19	FF1-CN521G0007099R	O-Ring 3.5*1.8	2	NBR	
18	FF1-CN521N00000162	Screw M4*14	2	SUS304	
17	FF1-CN521N00006199S	Nut M4	2	SUS304	
16	FF1-CN521N00000271	Screw M4*10	2	SUS304	
15	FF1-CN521N00002399	Nut	1	ABS	
14	FF1-CN521G00000018	Washer	1	NBR	
13	FF1-CN521G0005299R	Bottom Washer	1	NBR	
12	FF1-CN521Z0015099P	Lower Washer	1	POM	
11	FF1-CN521G0007199R	Bottom Seal Washer	1	NBR	
10	FF1-CN521J0018299P	Manifold	1	DW-1022	
9	FF1-CN522X70046099	Push Mono Cartridge	1	Assembly	
8	FF1-CN521N0005799P	Lock Nut	1	DW-1022	
7	FF1-CN521F0009344X	Body	1	Zinc	Black
6	FF1-CN521G0007299R	Tube-3*5*120	2	PU	
5	FF1-CN521Z0014999P	Upper Dish	1	ABS	
4	FF1-CN521F0009244X	Cover	1	Zinc	Black
3	FF1-CN521N00000236	Screw M4*6	1	SUS304	
2	FF1-CN521J0017950P	Handle Button	1	ABS	CP
1	FF1-CN521F0008244P	Handle Cap	1	ABS	Black

DESIGNED	Nathan Li	20200410	TITLE	EasyFLO Basin Mono (Matt Black)
CHECKED	Aaron Wang	2020.04.10	REF	
APPROVED	Frank Guo	Apr. 10, 2020	按压单冷面盆水嘴-亚光黑	
SCALE	MATERIAL	WEIGHT	DWG NO.	American Standard
4:5	Assembly		FFAST823-109440BF0	

REV	DESCRIPTION	DATE	NAME