

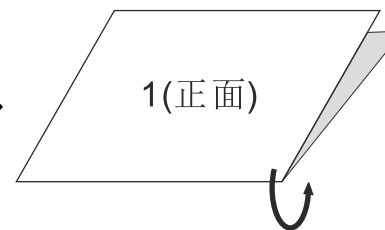
2020年6月27日

A/2

Tolerance, Unless Otherwise Stated. Is	
Above 0.5 to and including 6	±0.1
Excess 6 to and including 30	±0.2
Excess 30 to and including 120	±0.3
Excess 120 to and including 315	±0.5
Excess 315 to and including 1000	±0.8
Excess 1000 to and including 2000	±1.2



1. 说明书双面印刷完成  
(297x210=A4) 共1张



2. 说明书折叠完成

制作说明:

1. 说明书完成的尺寸: 148\*210
2. 材料: 80克的白色纸
3. 印刷说明: 说明书为297x210(A4) 双面印刷, 并折叠成148x210大小完成(详看图示)
4. 印刷颜色: 黑白
5. 印刷时, 内容准确, 清晰, 墨色均匀, 表面清洁。

FFAST823-109500XX0  
EasyFLO Basin Mono  
FFAST823-109090XX0  
EasyFLO Basin Mono (Glossy White)  
FFAST823-109440XX0  
EasyFLO Basin Mono (Matt Black)

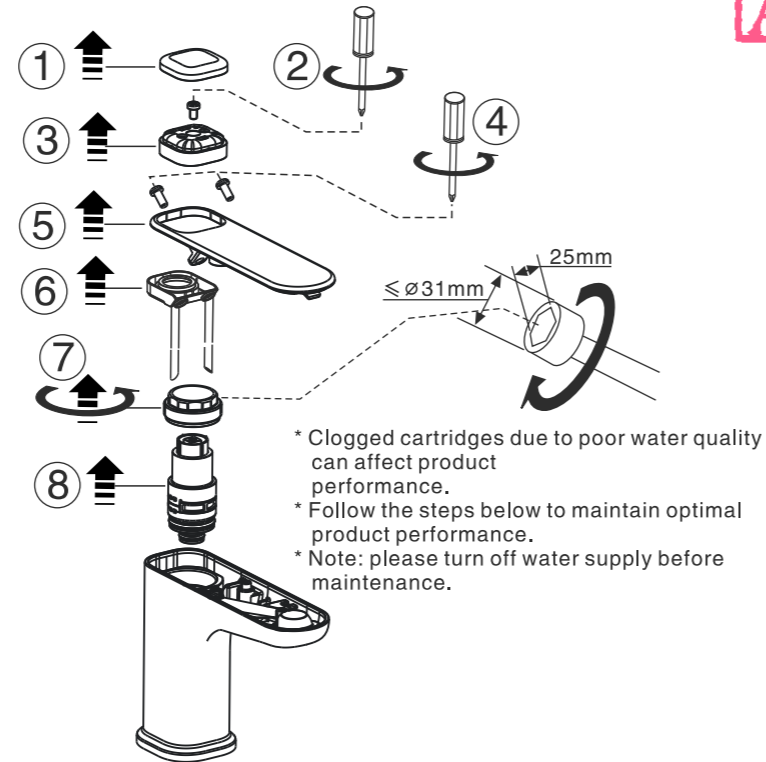
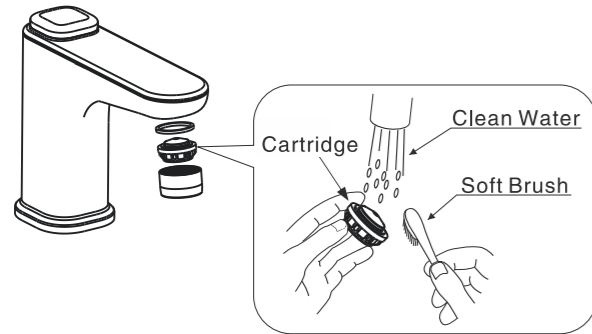
A2	修改零件料号	2020.06		DESIGN	黄卓桓	2020.06.19	TITLE	Instructions	
				CHECKED	利华斌	2020.06.19	REF	英文说明书	
				APPROVED	郑华君 2020.6.19				
A1	增加零件料号	2020.06		SCALE	MATERIAL	WEIGHT	DWG NO.	American Standard	
REV	DESCRIPTION	DATE	NAME				FF1-CN521K00307499		

## Trouble Shooting Guide

Issue	Component	Checkpoint	Corrective Action
Poor flow rate	Aerator	Check if aerator is clogged	Remove all impurities
	Water supply valve	Check lever position	Lift lever to maximise water volume
	Hose	Check if hose is twisted	Untwist the hose
Leakage	Cartridge	Check if cartridge is loosened	Fasten or replace cartridge
	Connection joints	Check the connection	Reassemble connecting part

## Care & Maintenance

- \* Clogged aerator due to poor water quality can lead to reduced water flow.
- \* Follow the steps below to clean aerator to ensure optimal performance.

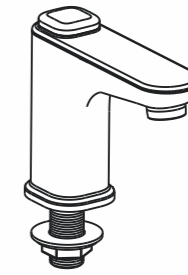


## EasyFLO

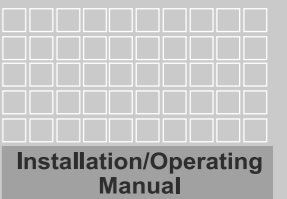
FFAST823-109500XX0  
EasyFLO Basin Mono

FFAST823-109090XX0  
EasyFLO Basin Mono (Glossy White)

FFAST823-109440XX0  
EasyFLO Basin Mono (Matt Black)



American Standard



Thank you for selecting American Standard, the benchmark of fine quality for over 100 years.

To ensure that your installation proceeds smoothly, please read these instructions carefully before you begin.

\* American Standard continually improves our product design and performance. American Standard reserves the right to modify the dimensions and specifications of our product accordingly without any prior notification.

\* Actual dimensions and specifications may vary, refer to physical product for exact dimensions and specifications.

## Pre-Installation Checks

- \* Remove all impurities in pipes before beginning installation, to avoid clogging. Connect the faucet pipes correctly.
- \* Check installation distances shown in the dimension diagram to ensure correct installation.

## Conditions for use

\* Water pressure condition: 0.05~0.75MPa (Recommended water pressure condition: 0.1~0.5MPa)

\* Ambient temperature: 1~55°C

\* Water temperature: 4°C ~ 49°C

\* Steam should not be used with the product

\* Note: Ensure water source is clean. Poor water quality can cause the cartridge and internal components to clog, resulting in poor product performance.

## Recommended Tools and Materials



Adjustable Wrench



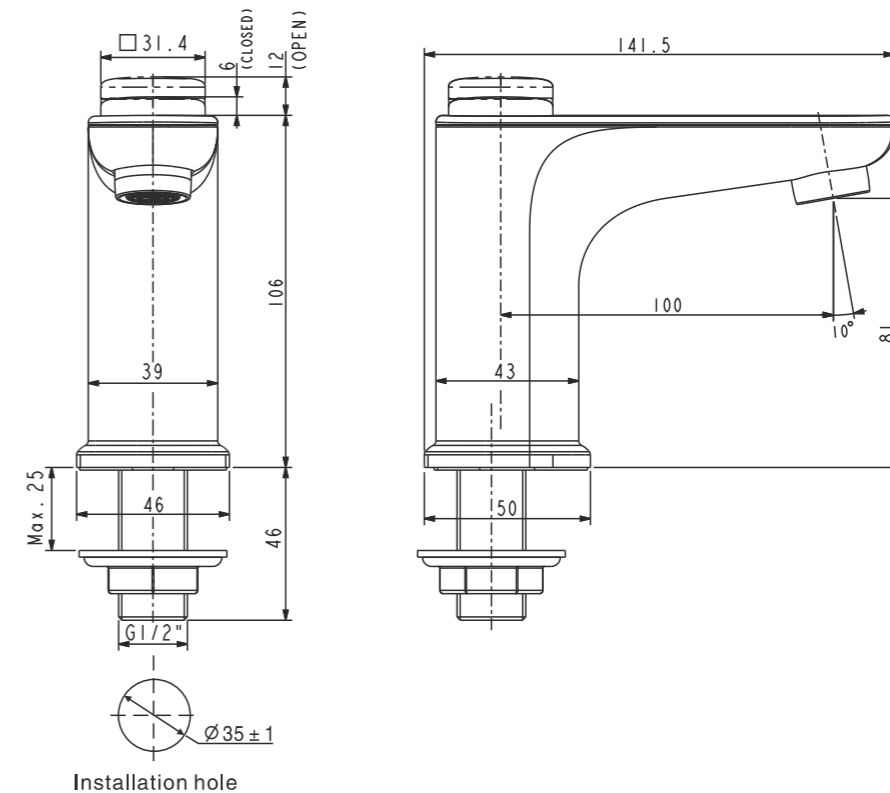
Tape Measure



Teflon Tape

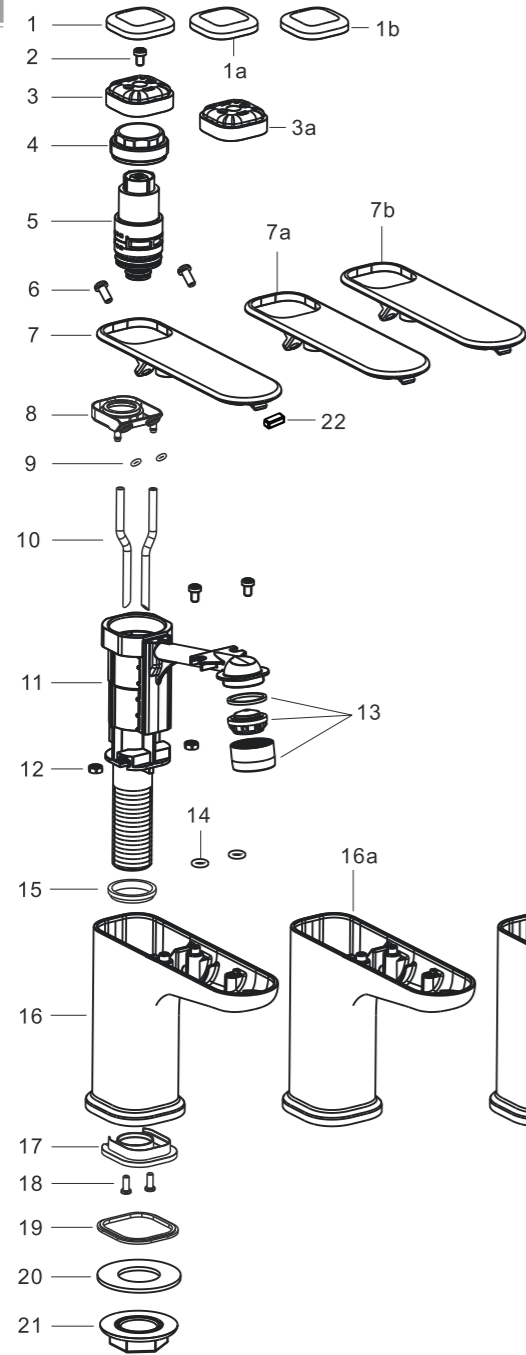
## Dimensions

Unit: mm



**Attention:**  
Please leave manual with customer post installation.

### Parts List

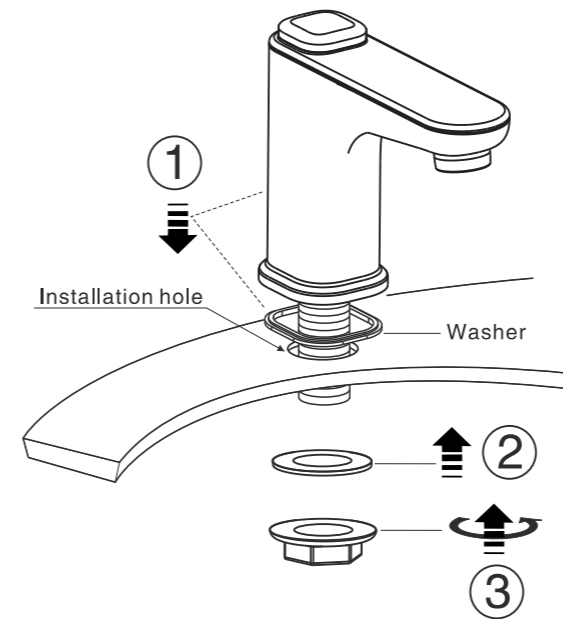


No.	Part Code	Part Name	Q'ty
1	FF1-CN521F0008250P	Handle Cap(chrome)	1
1a	FF1-CN521F0008209P	Handle Cap(glossy white)	1
1b	FF1-CN521F0008244P	Handle Cap(matt black)	1
2	FF1-CN521N00000236	Screw	3
3	FF1-CN521J0017909P	Handle Insert(white)	1
3a	FF1-CN521J0017950P	Handle Insert(chrome)	1
4	FF1-CN521N0005799P	Nut	1
5	FF1-CN522X70046099	Cartridge	1
6	FF1-CN521N00000162	Screw	2
7	FF1-CN521F0009250X	Upper Cover(chrome)	1
7a	FF1-CN521F0009209X	Upper Cover(glossy white)	1
7b	FF1-CN521F0009244X	Upper Cover(matt black)	1
8	FF1-CN521Z0014999P	Upper Dish	1
9	FF1-CN521G0007099R	O-Ring	2
10	FF1-CN521G0007299R	Tube	2
11	FF1-CN521J0018299P	Manifold	1
12	FF1-CN521N00006199S	Nut	2
13	FF1-CN521A0002350B	Aerator	1
14	FF1-CN521G00000250	O-Ring	2
15	FF1-CN521G0007199R	Washer	1
16	FF1-CN521F0009350X	Body(chrome)	1
16a	FF1-CN521F0009309X	Body(glossy white)	1
16b	FF1-CN521F0009344X	Body(matt black)	1
17	FF1-CN521Z0015099P	Lower Dish	1
18	FF1-CN521N00000271	Screw	2
19	FF1-CN521G0005299R	Washer	1
20	FF1-CN521G00000018	Washer	1
21	FF1-CN521N00002399	Nut	1
22	FF1-CN521J0023999R	Bushing	1

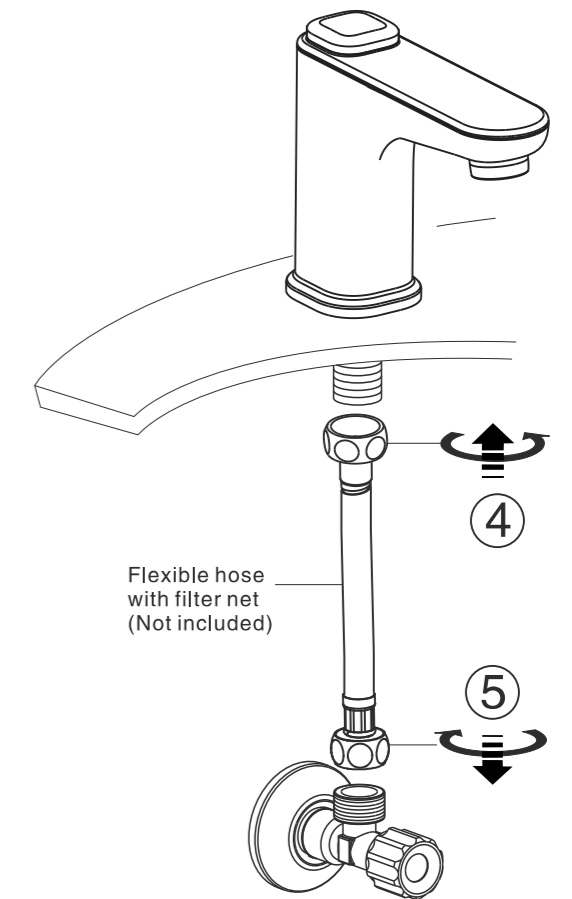
2020年6月27日  
A/2

### Installation

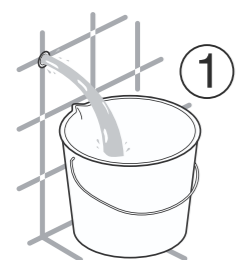
#### 1 Body Installation



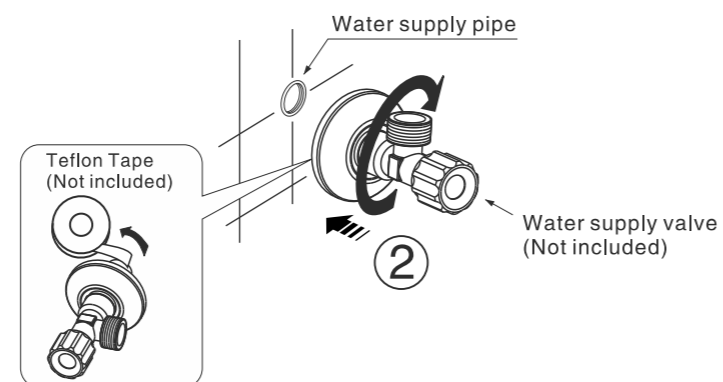
#### 2 Flexible Hose Connection



### Preparation



\* Lay the pipe with reference to the dimension drawing.  
\* Before installation, ensure that the pipe is not clogged.



### Test / Usage

#### 1 Test

\* Turn on water supply valve and check all connections for leakage.  
\* Turn on the faucet and check the flow of water.

#### 2 Usage

