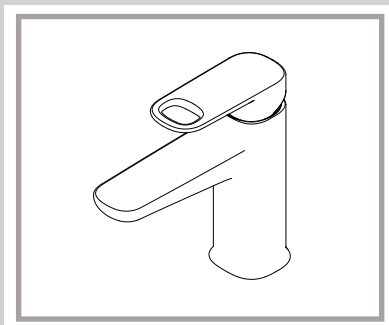
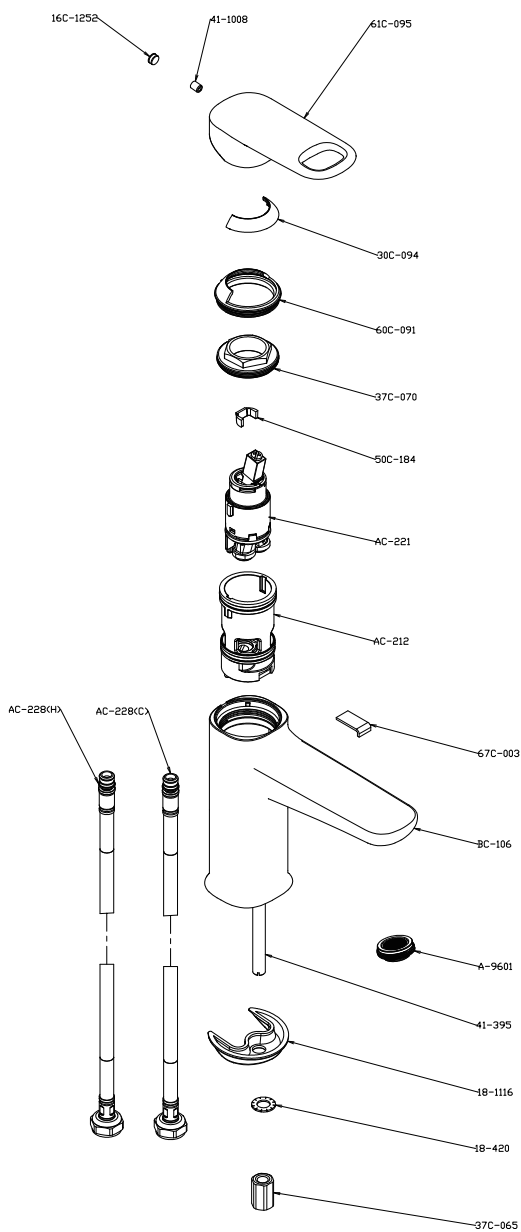
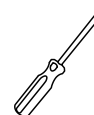


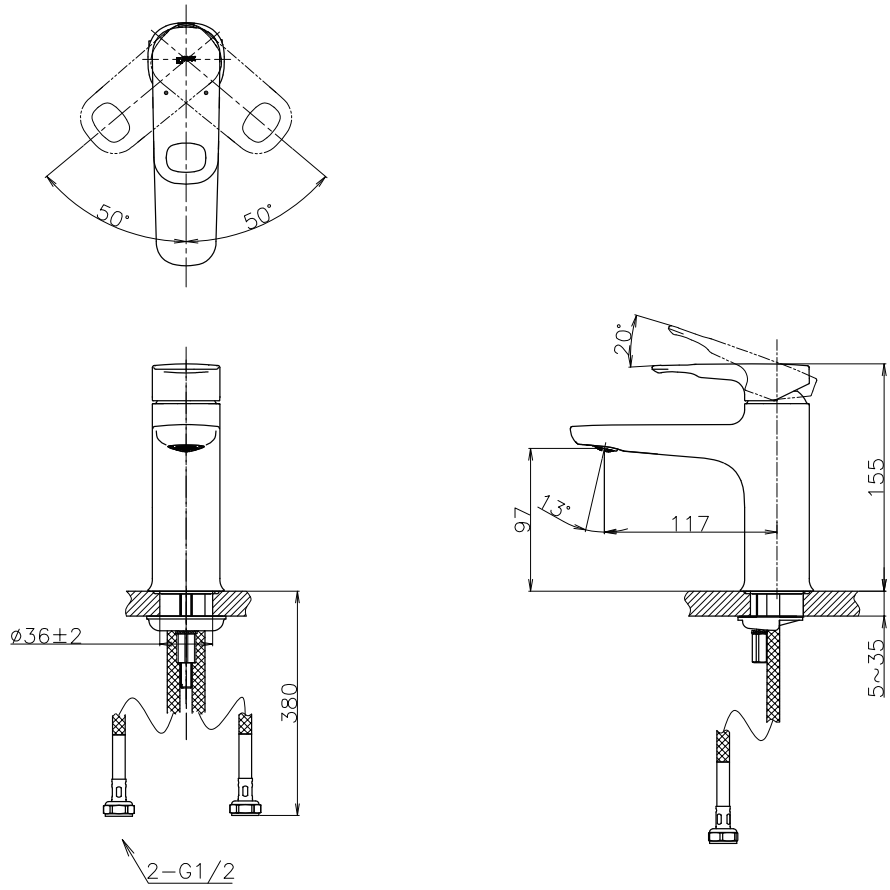
# LFCS101S/LFCS101SH



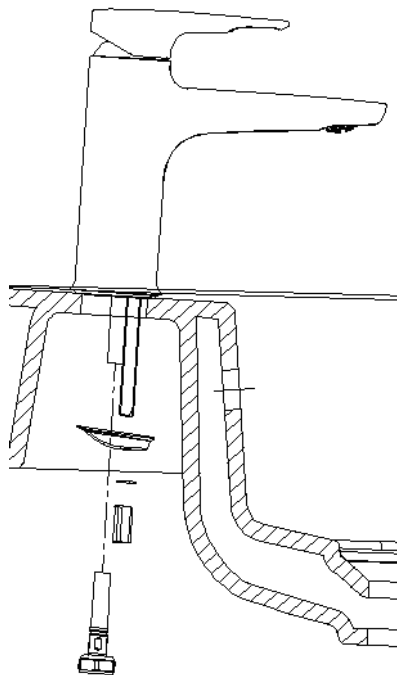
# INAX

ISO 9001:2015  
ISO 14001:2015

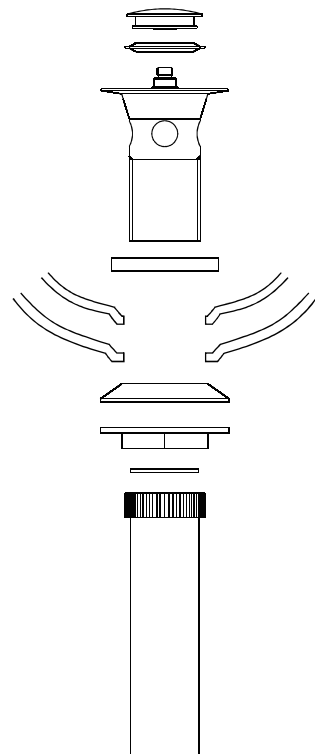




1

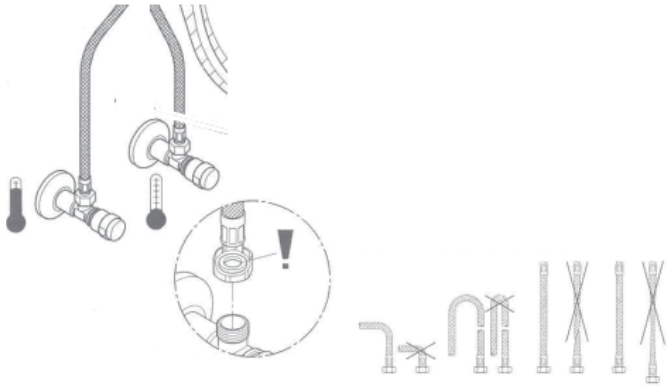


2

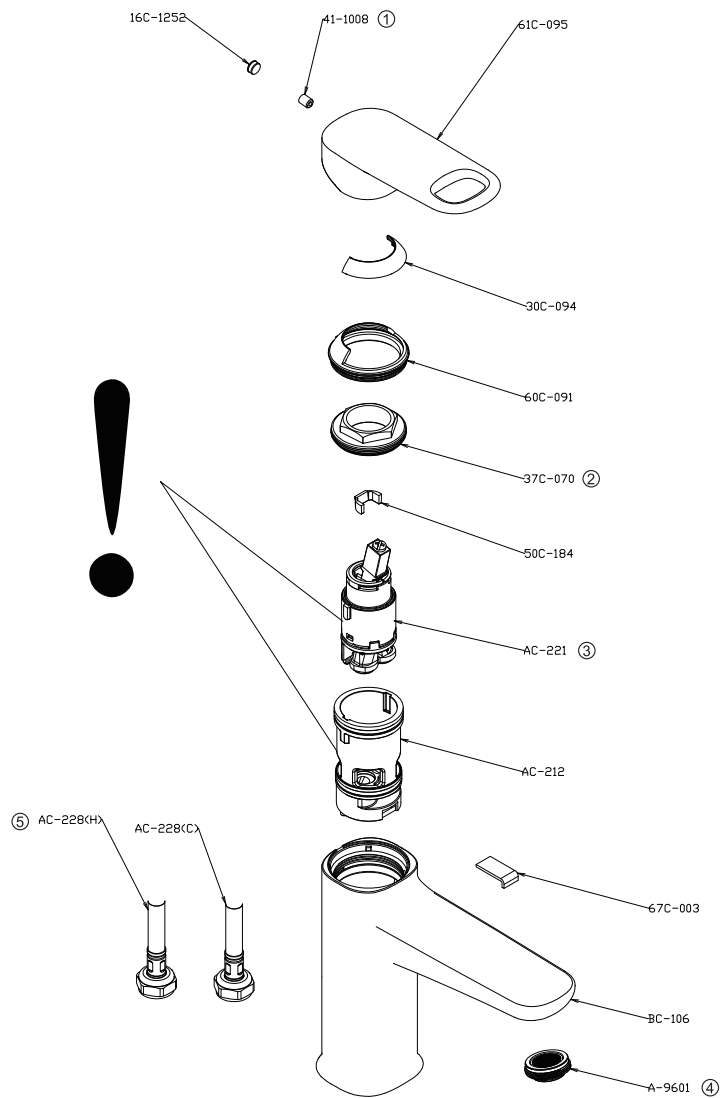
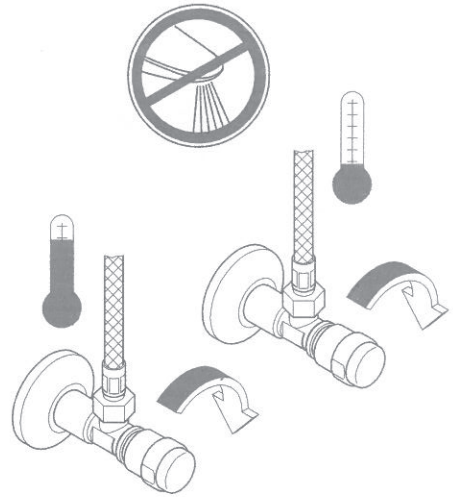




3



4



## △ 故障点检

故障时的点检部位参照上页图示，进行点检。

现象	点检内容	点检部位	处 理
流量少	压力是否足够?	——	参照“使用条件”
	配管管路中是否有大的障碍物?	⑤	取出障碍物
	进水阀是否开足?	——	开足进水阀
	是否有垃圾，发丝等?	③ ④	将垃圾等异物用水冲掉
止不住水	有无划伤?	③	更换阀芯（另买）
	有无松动?	②	拧紧紧固螺母 *拧得过紧会使手柄操作感变重
手柄晃动	是否松动?	①	拧紧螺钉

\*拆卸水龙头时请务必关闭进水阀，否则部品有可能被水冲掉。

\*部件②③不要自行分解，如需维修或有其他故障不能排除时，请专业人员来解决或打售后服务电话。

## △ 安全须知

- \* 安装前请仔细阅读此说明书。
  - \* 安装完成后，请检查产品是否正常运行。
  - \* 客户请尽可能保留此说明作为以后的参考。
  - \* 如果不遵守如下注意事项，可能会导致严重安全事故。
- 因此，请严格遵守：
- 安装前后务必彻底冲洗所有管件，可以加装温度限制器。
  - 检查连接是否有渗漏现象，并检查龙头的功能。
  - 本体组已由工厂检验及调试至最佳工作状态，请勿自行拆装。
  - 检查和清洁所有部件，根据需要更换部件。维护时应关闭进水管。
  - 安装阀芯时，确保正确放置密封圈，装入并拧紧螺钉。
  - 备件：参见分解图。

## △ 使用条件

1. 最小水压：0.05 Mpa及以上（水流时）
2. 最大水压：0.75 Mpa及以下（静止时）
3. 测试水压：0.1 Mpa  
水流压力为0.1Mpa时流量：约为7.2L/min
4. 热水入水口温度：最高90°

注意：

- 供热水处不能使用蒸汽。
- 安装配管：冷水配管在右侧，热水配管在左侧。  
一旦配管装反，热水表示处不会出热水。

所有安装步骤必须符合当地法律法规和建筑规范！

## ⚠ TROUBLE SHOOTING GUIDE

Check the common malfunction as the previous page picture and following table.

Problem	Possible Cause	Position	To Correct
Low water flow	Is the pressure enough?	————	Refer to "condition of use".
	Is there a large obstacle in the piping line?	⑤	Remove obstacles.
	Is the inlet valve open enough?	————	Open the inlet valve enough.
	Is there garbage, hair, etc?	③ ④	Wash out garbage, hair, etc.
Can't stop water	Is there any scratches?	③	Replace the valve core (buy separately).
	Is there any looseness?	②	Tighten the screws. * Tightening too tight will make the handle feel heavy.
Handle shaking	Is there any looseness?	①	Tighten the screws.

\* Be sure to shut the inlet valve when removing the faucet, otherwise the parts may be washed away by water.

\* Please don't disassemble part ② ③ by yourself. If the product needs to be repaired or there is other malfunction, you can ask a professional to solve or call the after-sales service.

## ⚠ SAFETY PRECAUTIONS

- \* Read the instructions carefully before beginning.
- \* After finishing installation, check out whether the facility operates properly or not.
- \* If possible, customer should to keep this instruction as reference in the future.
- \* Cautions and notes below if not complied may lead to serious damage. Therefore, please follow strictly.
  - Thoroughly flush all fittings before and after installation. The temperature limiter can be installed.
  - Check the connection for leaks and check the function of the faucet.
  - The faucet body group has been inspected and commissioned by the factory to the best working condition. Please do not disassemble it.
  - Check and clean all parts and replace parts as needed. The inlet pipe should be closed during maintenance.
  - When installing the valve core, make sure the seal ring is placed correctly, and fit and tighten the screws.
  - Spare parts: See exploded view.

## ⚠ CONDITION OF USE

1. Minimum pressure: 0.05 Mpa or above (Flowing)
2. Maximum pressure: 0.75 Mpa or below (static).
3. Test pressure: 0.1 Mpa  
Water pressure is 0.1Mpa: water flow is about 7.2L/min
4. Hot water inlet temperature: up to 90°

Note:

- Steam cannot be used for hot water supply.
- Install the piping: the cold water piping is on the right side, the hot water piping is on the left side.  
Once the piping is reversed, there will be no hot water in hot water indicator.

ALL INSTALLATION PROCEDURES MUST COMPLY IN TRICT ACCORDANCE WITH THE LOCAL PLUMBING AND BUILDING CODE