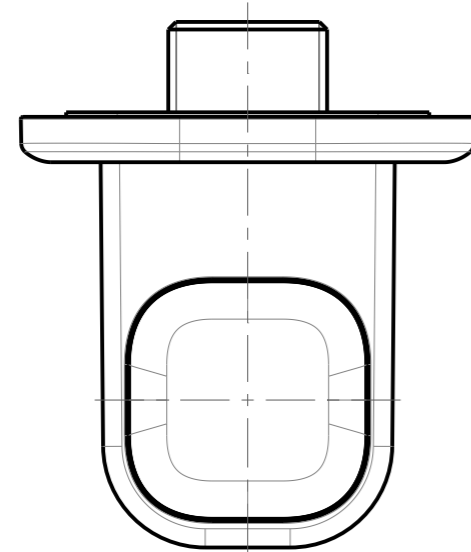
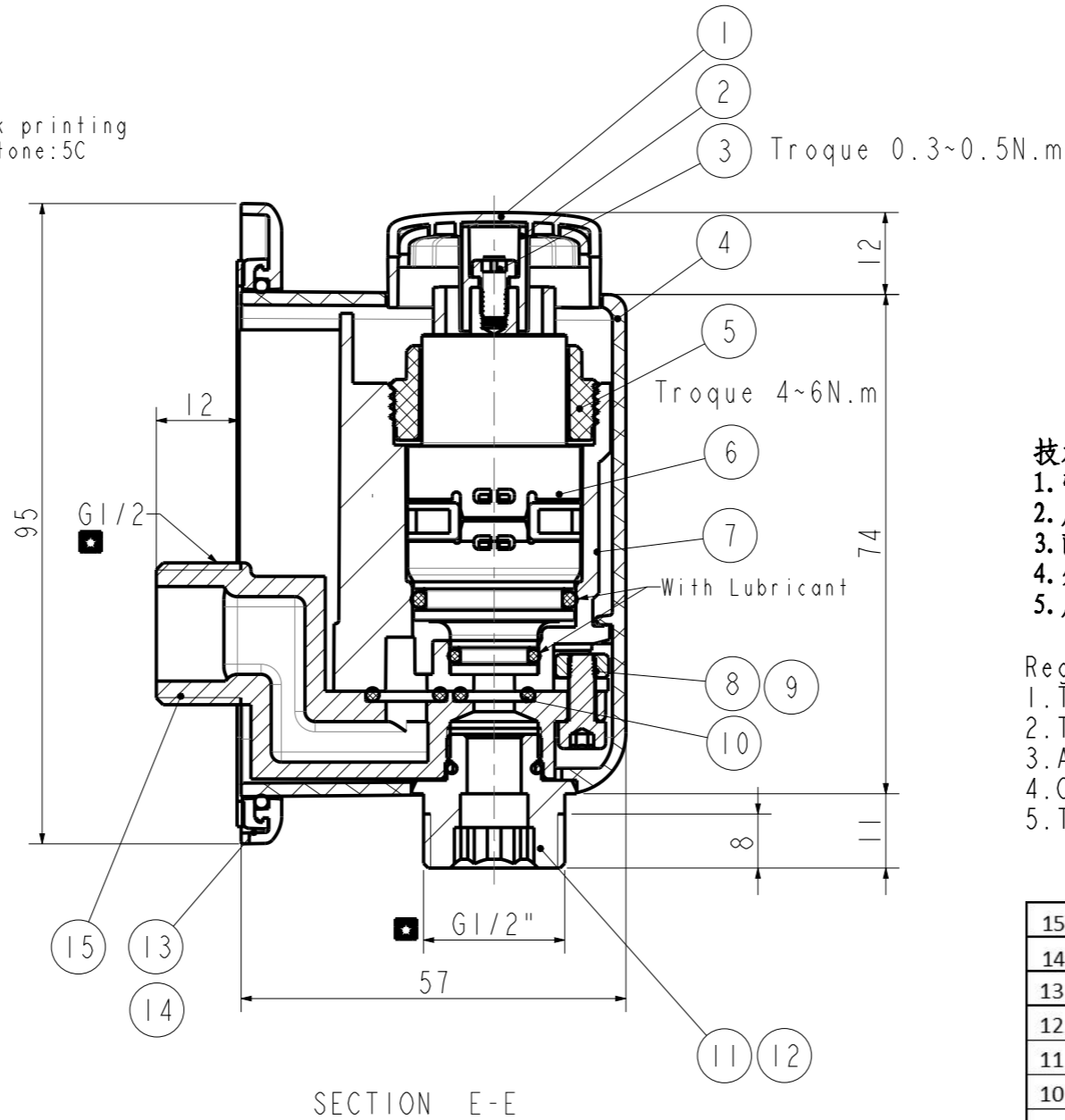
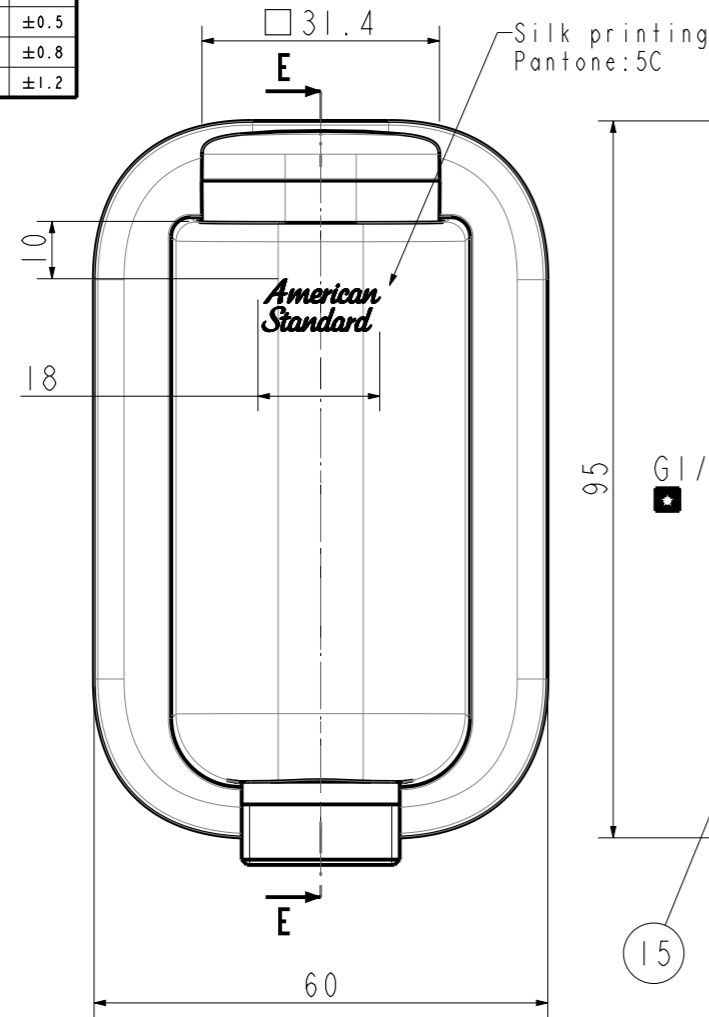


Tolerance, Unless Otherwise Stated, Is			
Above 0.5 to and including 6	6		±0.1
Excess 6 to and including 30	30		±0.2
Excess 30 to and including 120	120		±0.3
Excess 120 to and including 315	315		±0.5
Excess 315 to and including 1000	1000		±0.8
Excess 1000 to and including 2000	2000		±1.2



技术要求:

- 带"■"符号的尺寸为重要尺寸。
- 产品组装后其所有性能须符合标准《WI10.0507》的规定。
- 耐腐蚀性要求: AASS, 24H, 10级。
- 外观件要求须符合标准《WI10.0589》的规定。
- 产品采用彩色纸盒包装。

Requirement:

- The dimension with "■" symbol is critical dimension.
- The product can meet (WI10.0507).
- Anti-corrosion performance: AASS, 24H, Grade 10.
- Other surface performances are following (WI10.0589).
- The product is used with color package.

No.	Part Code	Part Des. (EN)	Qty.	Material	Remark
15	FFZZ0021-0027250PL	Body	1	GkMs60Fk	
14	FF1-CN521G0006199R	Washer	1	E.V.A	
13	FF1-CN521F0009844P	Escutcheon	1	ABS+NBR	Black
12	FF1-CN521G00000289	11*1.5 O-ring	1	NBR	
11	FF1-CN521N0006750B	Connector	1	HPb59-1	
10	FF1-CN521G00000115	O-ring 8*2	2	NBR	
9	FF1-CN521N00000272	Screw M4*10	3	SUS304	
8	FF1-CN521N0006199S	Nut M4	3	SUS304	
7	FF1-CN521J0021044P	Manifold	1	PPA HTIV-5FWA	
6	FF1-CN522X70046099	Push Mono Cartridge	1	Assembly	
5	FF1-CN521N0005799P	Lock Nut	1	DW-1022	
4	FF1-CN521Z0013344P	Escutcheon For Body	1	ABS	Black
3	FF1-CN521N00000236	Screw M4*6	1	SUS304	
2	FF1-CN521J0017950P	Handle Button	1	ABS	CP
1	FF1-CN521F00082P	Handle Cap-Cp	1	ABS	Black

DESIGNED	Nathan Li	20200410	TITLE Easyflo Exposed Shower Mono Faucet (Matt Black)		
CHECKED	Aaron Wang	2020.04.10	REF		
APPROVED	Frank Guo	Apr. 10, 2020	按压挂墙单冷淋浴水嘴(亚光黑)		
SCALE	MATERIAL	WEIGHT	DWG NO.		
1.000	Assembly		FFAST825-709440BF0		

REV	DESCRIPTION	DATE	NAME