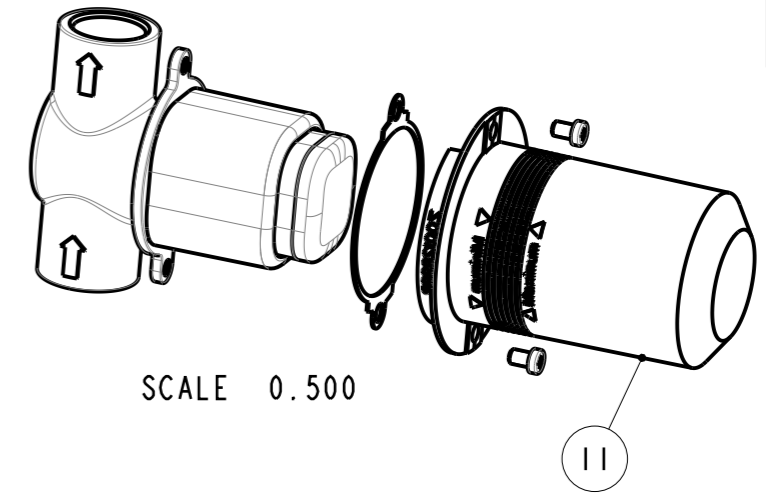
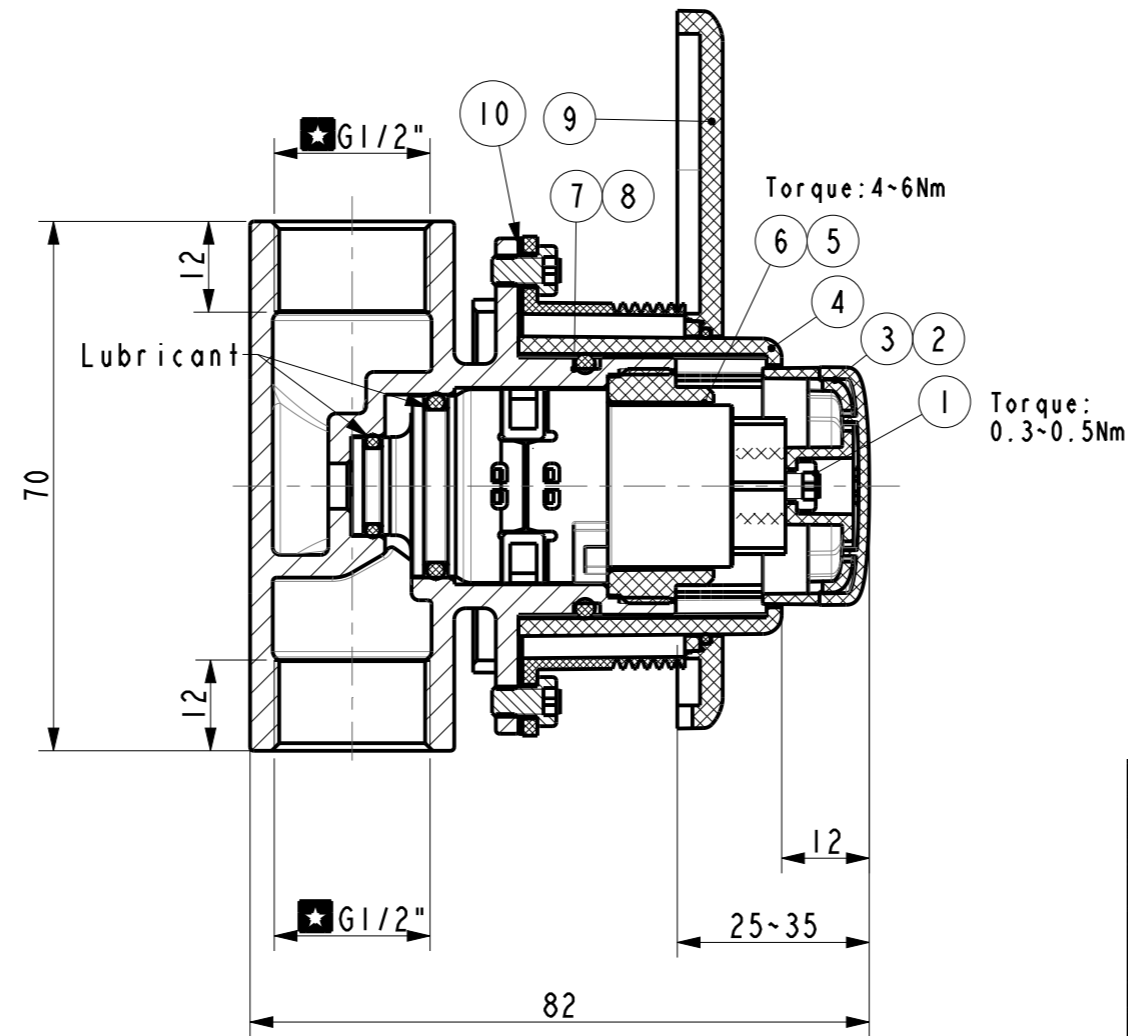
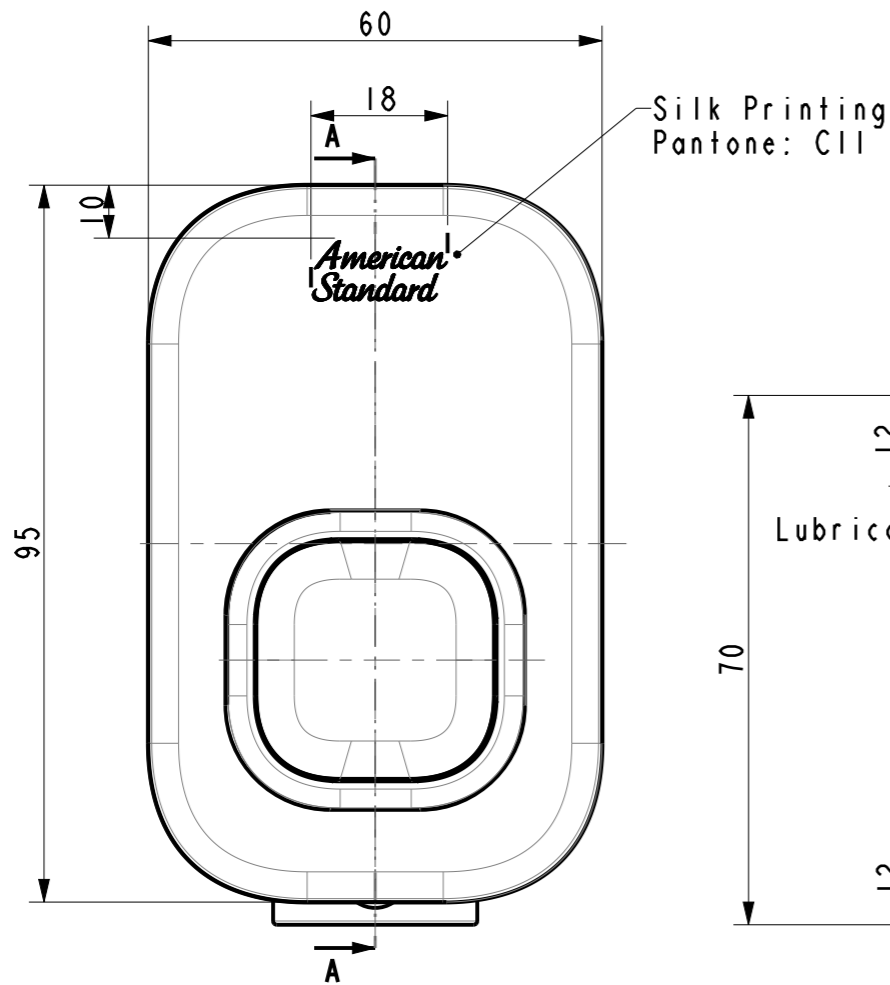


Tolerance, Unless Otherwise Stated, Is			
Above	0.5 to and including	6	±0.1
Excess	6 to and including	30	±0.2
Excess	30 to and including	120	±0.3
Excess	120 to and including	315	±0.5
Excess	315 to and including	1000	±0.8
Excess	1000 to and including	2000	±1.2



技术要求:

1. 带"★"号的尺寸为重要尺寸。
2. 产品组装后其所有性能须符合标准《WI10.0507》的规定。
3. 耐腐蚀性要求: AASS, 24H, 10级。
4. 其他外观要求须符合标准《WI10.0589》的规定。

Requirement:

1. The dimension with "★" symbol is critical dimension.
2. The product can meet (WI10.0507).
3. Anti-corrosion performance: AASS, 24H, Grade 10.
4. Other surface performances are following (WI10.0589).

No.	Part Code	Part Description	QTY	Material	Remark
11	FF1-CN521Z0012899P	Protective Cover	1	PP	
10	FF1-CN521G0007799R	Washer	1	NBR	
9	FF1-CN521F0008309P	Escutcheon	1	ABS + NBR	White
8	FF1-CN521G00000359	O-Ring	1	NBR	
7	FFZ20021-0024599MC	Body	1	GkMs60Fk	
6	FF1-CN521N0005799P	Lock Nut	1	DW-1022	
5	FF1-CN522X70046099	Push Mono Cartridge	1	Assembly	
4	FF1-CN521J0018409P	Bushing	1	ABS	White
3	FF1-CN521J0017950P	Handle Button	1	ABS	CP
2	FF1-CN521F0008209P	Handle Cap	1	ABS	White
1	FF1-CN521N00000236	Screw M4*6	3	SUS304	

DESIGNED	Nathan Li	20200410	TITLE	Easyflo Concealed Shower Mono(Glossy White)
CHECKED	Aaron Wang	2020.04.10	REF	
APPROVED	Frank Guo	Apr. 10, 2020	按压入墙单冷淋浴水嘴(高光亮白)	
SCALE	MATERIAL	WEIGHT	DWG NO.	FFAST826-709090BF0
4:5	Assembly			

American Standard

REV	DESCRIPTION	DATE	NAME