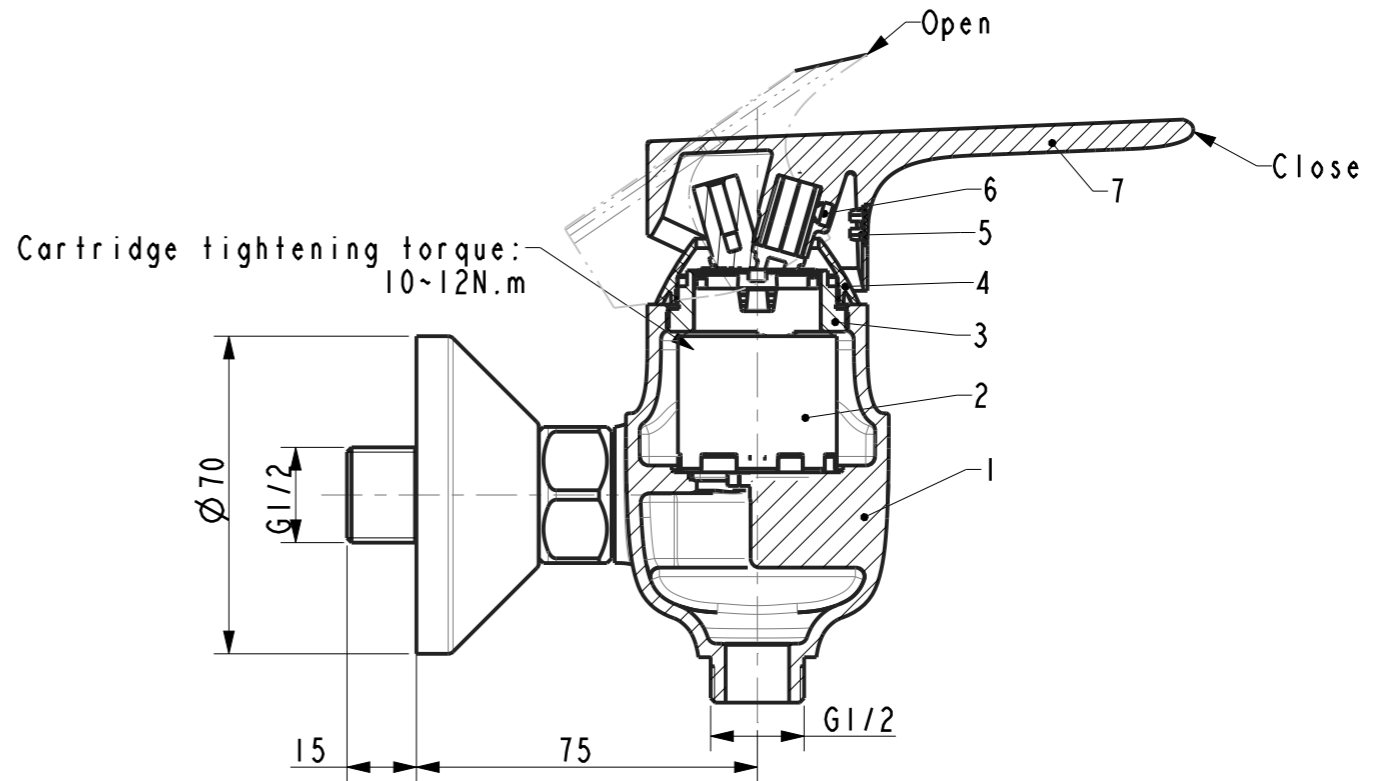
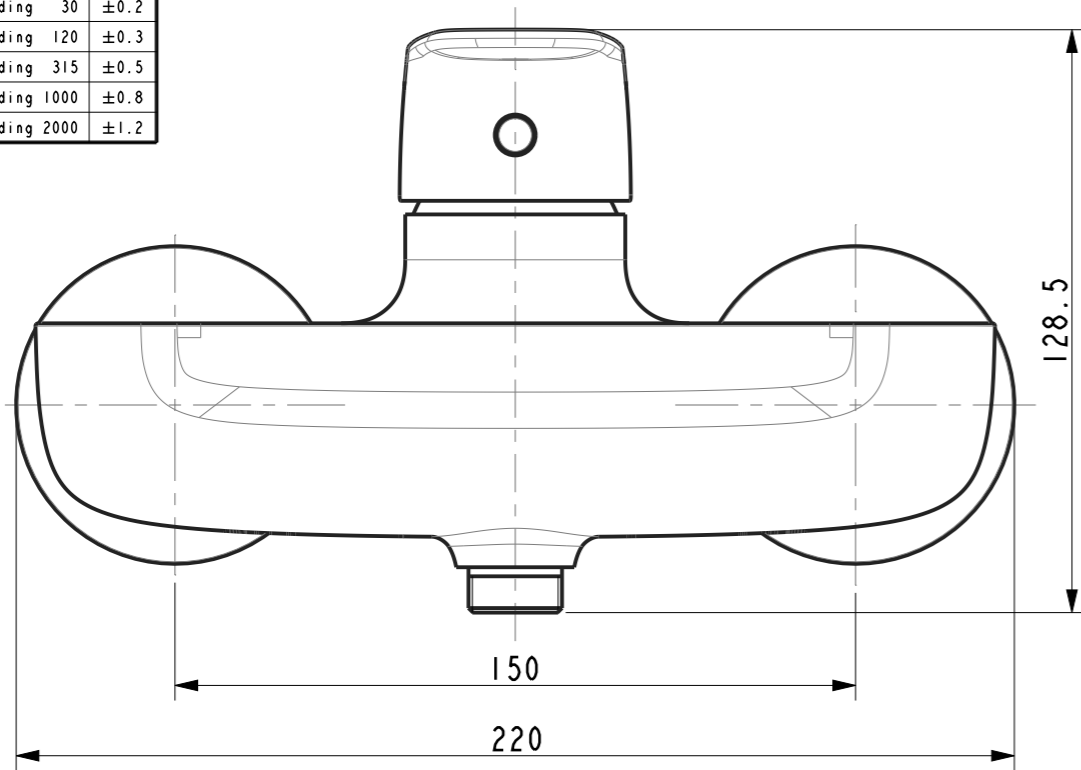


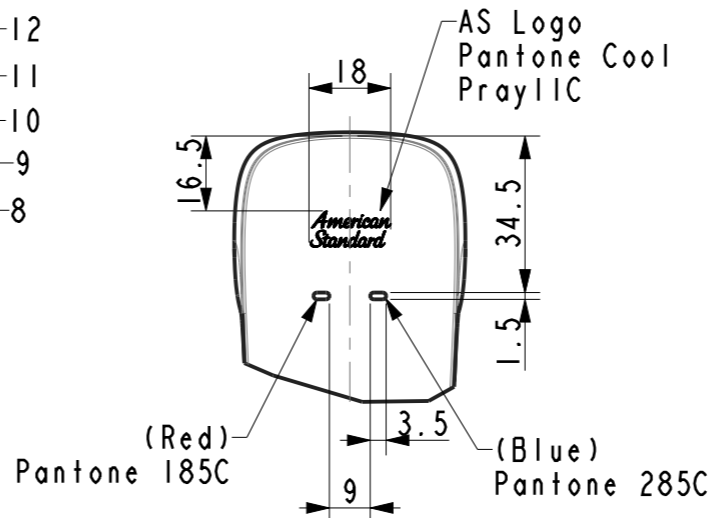
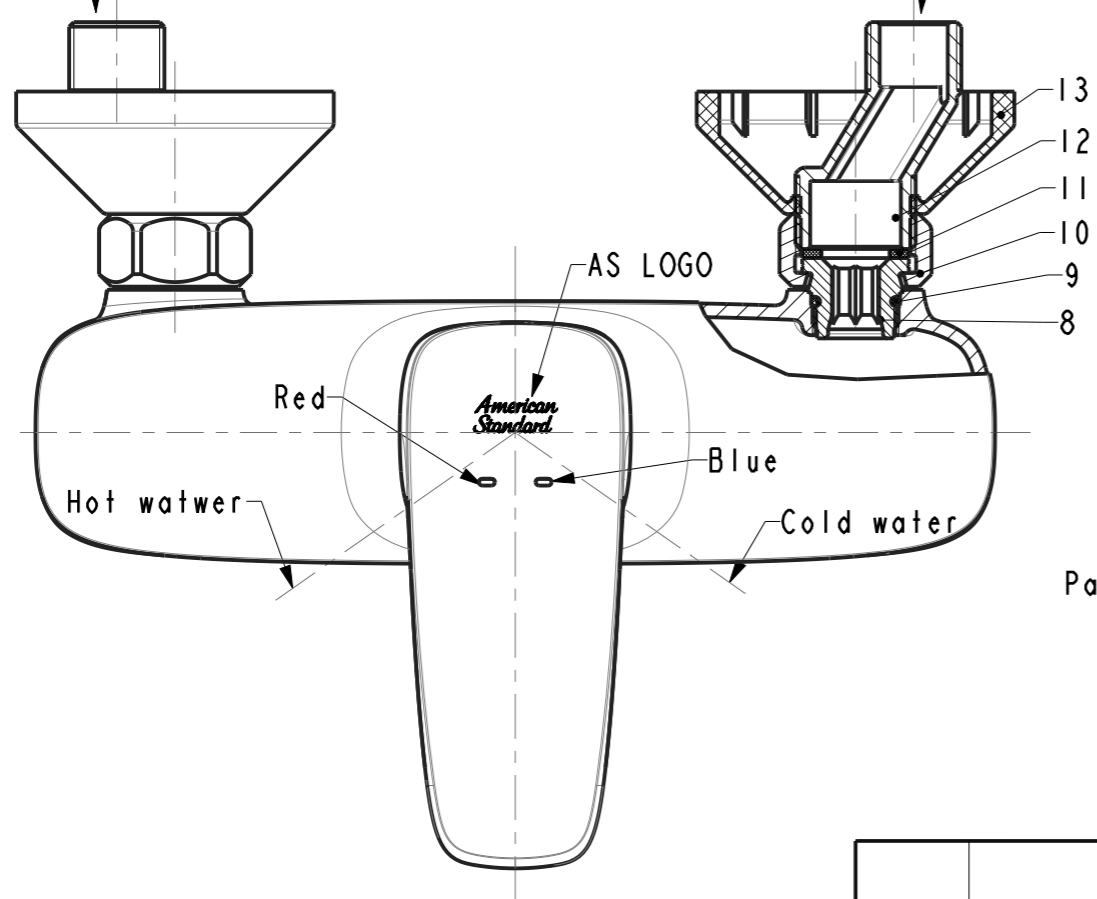
Tolerance, Unless Otherwise Stated, Is				
Above	0.5 to and including	6	±0.1	
Excess	6 to and including	30	±0.2	
Excess	30 to and including	120	±0.3	
Excess	120 to and including	315	±0.5	
Excess	315 to and including	1000	±0.8	
Excess	1000 to and including	2000	±1.2	



Technical requirements:

1. Cartridge tightening torque is 10 ~ 12 N.M, and the other torque is implemented according to the "WI09.1520 assembly torque specification".
2. O ring coated lubricating oil DC111;
3. The finished product should meet GB18145 and WI10.0504 final inspection standard.

Hot water inlet 150±15 Cold water inlet



No.	Code	Name and description	Qty	Material	Remark
13	FF1-CN521F00000094	S connector G1/2 - G3/4	2	ABS	
12	FF1-CN521J00000242	Washer 24*15*2(A913204)	2	SUS304	
11	FF1-CN521G00000341	Wahser 24*15*2	2	NBR	
10	FF1-CN521N00000291	Nut G3/4	2	HPb59-1	Cr Plating
9	FF1-CN521G00000112	O-ring 15.6*1.78	2	NBR	
8	FF1-CN521W00000048	THREADED NIPPLE	2	SUS304	
7	FF1-CN521L0006550X	Signature exposed BS mixer handle	1	ZZnA14-1	Cr Plating
6	FF1-CN521N00000228	Screw M5*6	1	SUS304	
5	FF1-CN521Z00004950	Handle cover	1	ABS	Cr Plating
4	FF1-CN521F0007350P	35mm cartridge cover	1	ABS	Cr Plating
3	FF1-CN521N0005499B	35mm cartridge lock nut	1	HPb59-1	
2	FF1-CN521C0002499P	35mm Cartridge	1	Part	
1	FFZZ0021-0023650PL	Signature exposed shower mixer body	1	GkMs60Fk	Cr Plating

DESIGNED			TITLE
CHECKED			REF
APPROVED			Signature Exposed Shower Mixer
SCALE	MATERIAL	WEIGHT	DWG NO.
3:5	Assembly		FFAS1712-709500BC0

REV	DESCRIPTION	DATE	NAME

